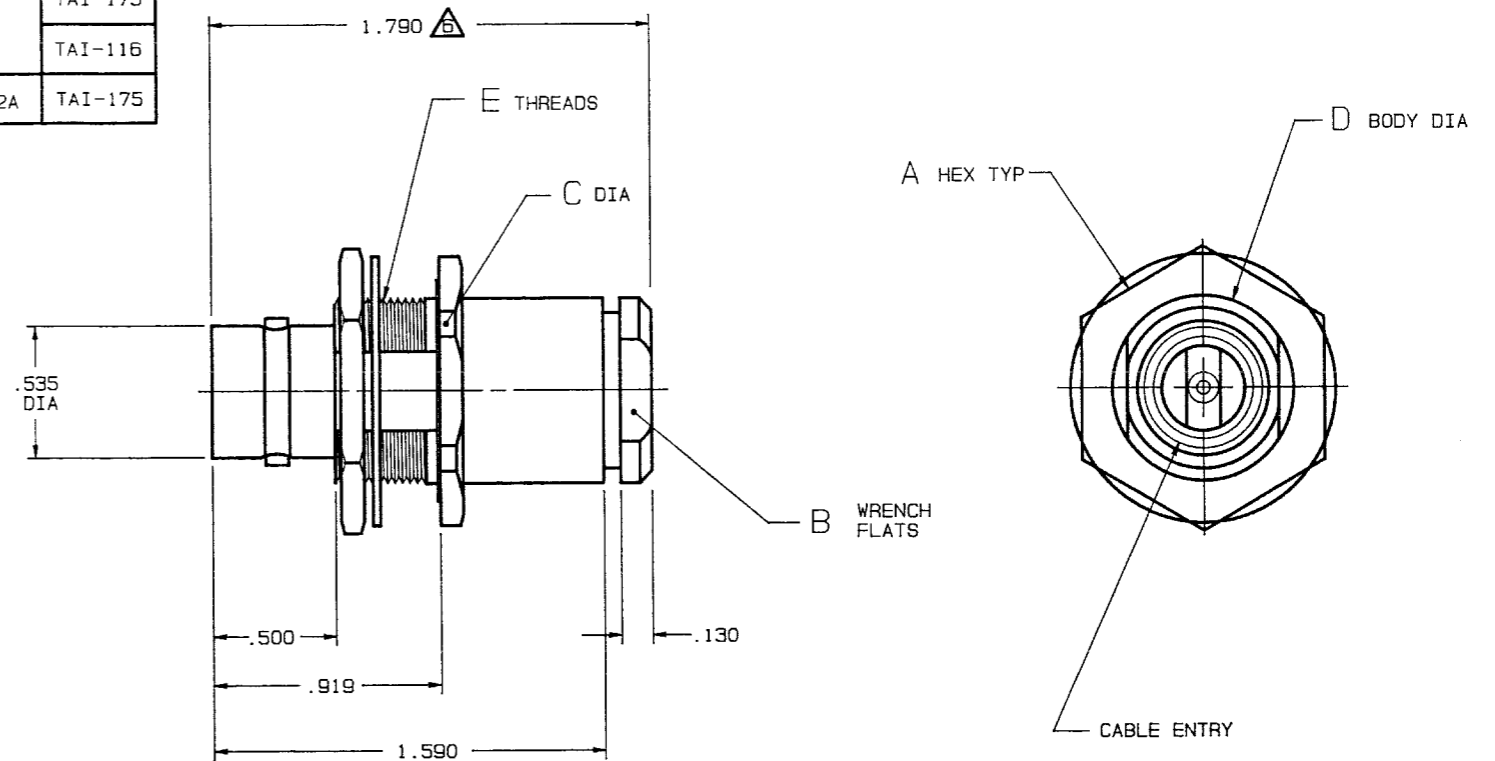


DISK #	DWG SIZE	DATA CONTAINED IN THIS DOCUMENT IS PROPRIETARY TO TROMPETER ELECTRONICS INC. AND SHALL NOT BE DISCLOSED, COPIED OR USED FOR PROCUREMENT OR MANUFACTURE WITHOUT EXPRESS WRITTEN PERMISSION.	REVISIONS		3-0035	SH 1		
H B	C		REV	EO	DESCRIPTION	DWN	APPROVED	DATE
			K	9224	SHT 2, REDRAWN TO CORRECT COMPONENT POSITION	J S	B.M;	3-7-91

DASH NO	CABLES ACCOMMODATED	FIG	A HEX	B FLATS	C DIA	D DIA	E THREADS	ASSEMBLE PER
-7	TRC-50-2/TRC-75-2	1	1.000	.625	1.090	.750	.750-32UN-2A	TAI-175
-8	8227 BELDEN							TAI-116
-9	TWC-78-2,R6-108 TWC-124-2							TAI-131
-10	754E W.E.CO.,R6-22							TAI-175
-11	760A W.E.CO.							
-12	16 PEVL W.E.CO.							
-13	TRF-59 TIMES							
-13A	8232 BELDEN							
-14	21-529 ESSEX 8233 BELDEN							
-14A	TRC-50-4A							
-15	21-583 ESSEX	2	1.250	.875	1.375	1.000	1.000-28UN-2A	TAI-116
-16	21-950 ESSEX							TAI-175
-26	275-3962 MICRODOT	1	1.000	.625	1.090	.750	.750-32UN-2A	TAI-116
-29	TWC-124-1A							TAI-116
-32	TRC-50-1							TAI-175
-42	21-204 ESSEX							TAI-116
-46	9860 BELDEN							
-54	89207 BELDEN							
-61	5012W5812 RAYCHEM							
-62	7518A0811 RAYCHEM							2

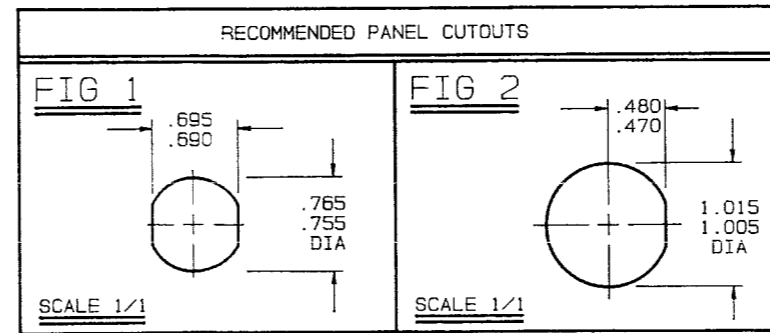
RED INDICATES ORIGINAL

INCH	MM
.005	0.13
.130	3.30
.250	6.35
.470	11.94
.480	12.19
.500	12.70
.535	13.59
.625	15.88
.690	17.53
.695	17.65
.750	19.05
.755	19.18
.765	19.43
.875	22.23
.919	23.34
1.000	25.40
1.005	25.53
1.015	25.78
1.090	27.69
1.250	31.75
1.375	34.93
1.590	40.39
1.790	45.47



-10 SHOWN

- △ DIM IS MAX WHEN ASSEMBLED TO CABLE
- 5. CONCENTRIC TWINAX/TRIAX "C" STYLE BULKHEAD MOUNT RECEPTACLE W/PIN CENTER CONTACT
- △ MAX PANEL THK .250
- 3. INTERFACE: TCS-BJ80
- 2. FINISH: TFS-1A (NICKEL)
- 1. ALL DIM ARE IN INCHES



QTY	DESCRIPTION	PART NUMBER	ITEM
TOL UNLESS SPECIFIED .XX ± .XXX ±.005 .XXXX ± ANGLES ±	TROMPETER ELECTRONICS, INC.	BJ89	
DWN J S 2/28/91	MATERIAL	CODE IDENT	DRAWING NO.
CHK E.M. 2/1/91		14949	3-0035
ENGR			REV K
APPR	3-1-91	SCALE 2/1	DATE 5/22/79 SHEET 1 OF 2

NEXT ASSY