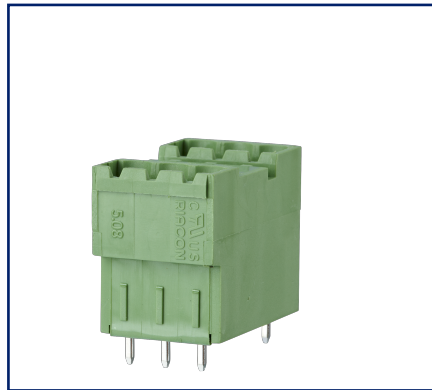
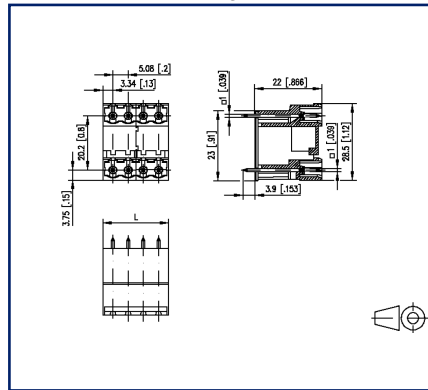


**Data sheet**  
**PT106xxVGDN Typ 290**

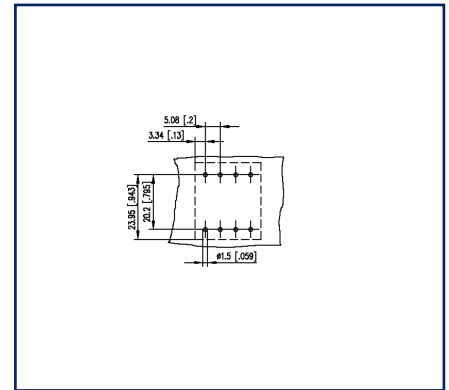
**Illustrations**



Dimensional drawing



Drill pattern





See enlarged drawings at the end of document

**Product specification**

- pin header, solderable
- centerline 5.08 mm, direction of connection vertical 0°
- closed ends
- color green
- two rows, aligned

## Technical Data

General Data			
Solder pin length	3.9 mm		
min. number of poles	4		
max. number of poles	48		
Insulating material class	CTI 600		
clearance/creepage dist.	4.08 mm		
Protection category	IP00		
Rated current	12 A		
Overvoltage category	III	III	II
Pollution degree	3	2	2
Rated voltage	320 V	800 V	800 V
Rated test voltage	4 kV	4 kV	4 kV
Approvals			
 V / A	300 / 15		
approval UL - File No.	E121004		
 1.5 mm <sup>2</sup>	320 V / 4 kV / 13.5 A / 1.0 x 1.0 mm		
Material			
insulating material	PA66		
flammability class	V0		
contact pin material	CuSn		
contact pin surface	Ni + Sn		
Glow-Wire Flammability GWFI	960 °C acc. to IEC 60695-2-12		
Glow-Wire Flammability GWIT	775 °C acc. to IEC 60695-2-13		
REACH	compliant		
Climatic Data			
upper limit temperature	105 °C		
lower limit temperature	-40 °C		
general			
Tolerance	ISO 2768 -mH		
Solderability	Acc. to JEDEC JESD22-B102E 245°C/5s		

# U | Contact

Data sheet  
**PT106xxVGDN Typ 290**

Page 3/5

P/N  
**312901xx**

**xx=number of poles**

2022/04/05

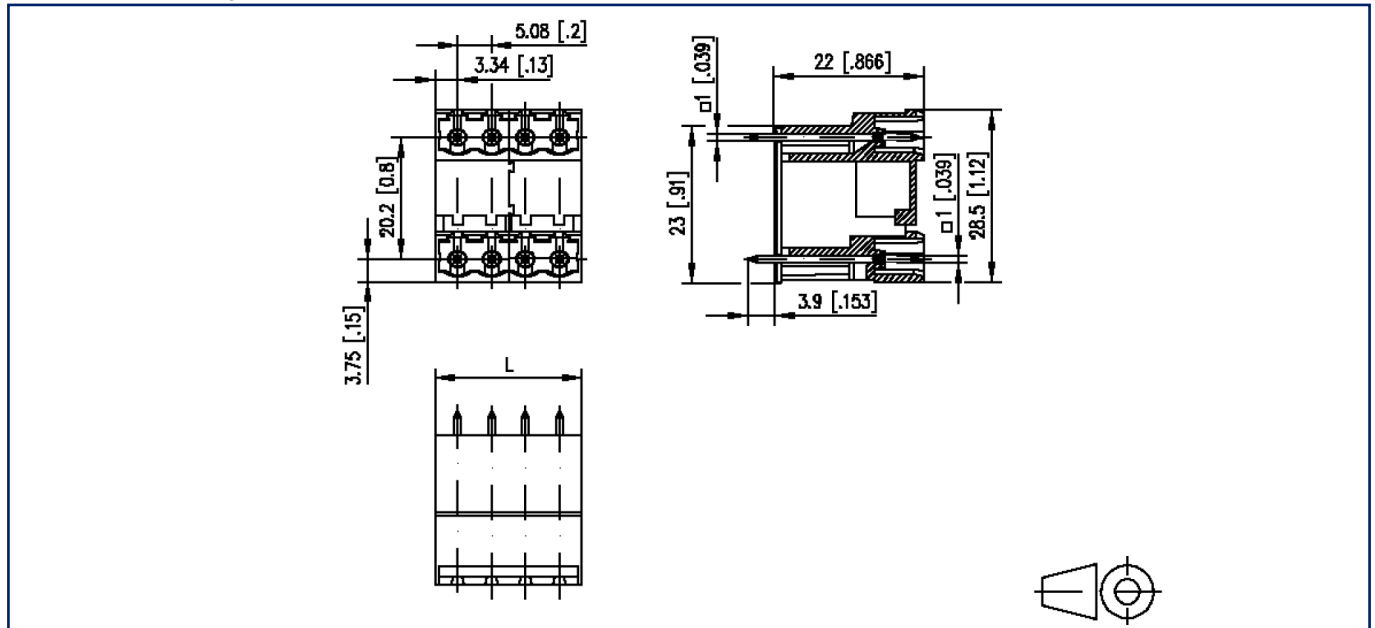
Version: P

## Counterpart of

P/N	Designation
312491	RP016xxVBLC Typ 249
312501	RP016xxSBLC Typ 250
ASP046	SP046xxVBNC ASP046

## Illustrations

Dimensional drawing



$L = (\text{pole size} - 1) \times \text{centerline} + 6.68 \text{ mm} [0.263]$

## Illustrations

### Drill pattern

