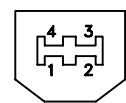
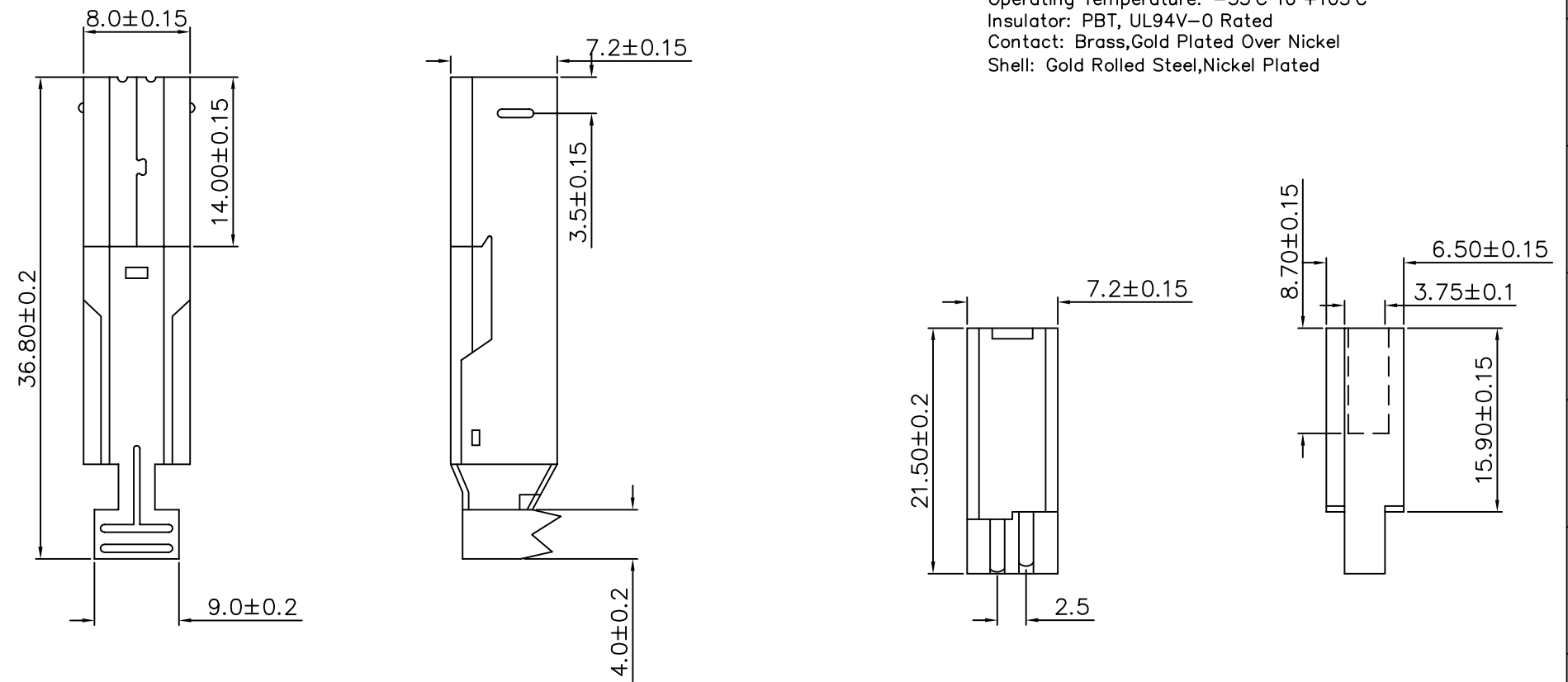


**SPECIFICATIONS**

Contact Current Rating: 1A  
 Dielectric Withstanding Voltage: 500V AC R.M.S  
 Insulation Resistance: 500Megohms minimum At DC 500V  
 Contact Resistance: 30Milliohms Max.  
 Operating Temperature: -55°C To +105°C  
 Insulator: PBT, UL94V-0 Rated  
 Contact: Brass,Gold Plated Over Nickel  
 Shell: Gold Rolled Steel,Nickel Plated



**AUK** A NUMBER OF AUK GROUP  
 太聯事業股份有限公司  
 AUK CONTRACTORS CO., LTD.

DRAWING No. USB2X02PS

APPROVED BY MEI  
 CHECKED BY RAN  
 DRAWING BY HZF

UNLESS OTHERWISE SPECIFIED TOLERANCES ARE  
 .X ±0.38  
 .XX ±0.25  
 ANG.

SCALE NONE

REV. A

UNIT mm

AREA REVISIONS CHK DATE