

MATERIALS AND FINISHES

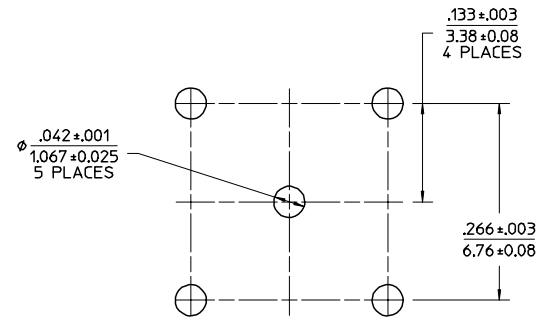
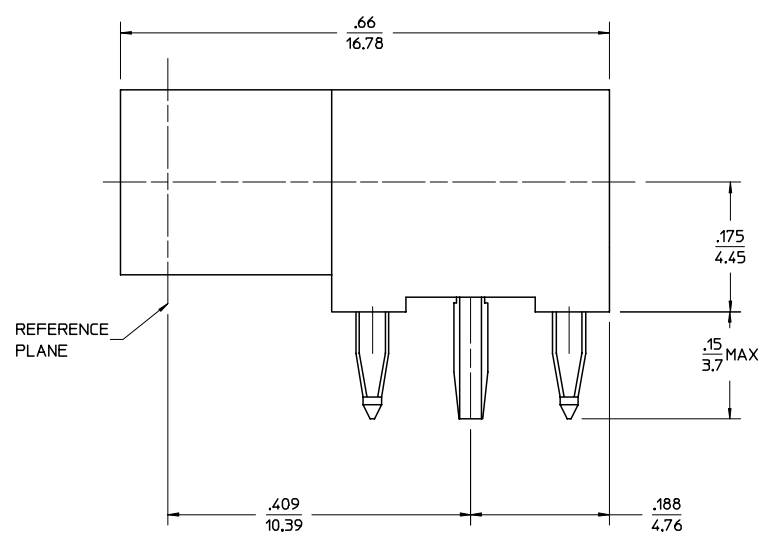
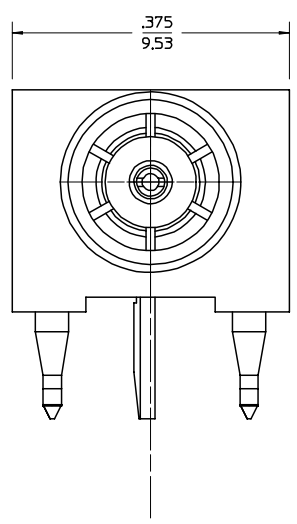
BODY: MATERIAL: BRASS
 PLATED: GOLD

CENTER CONTACT: MATERIAL: Be Cu
 OUTER CONTACT PLATED: GOLD

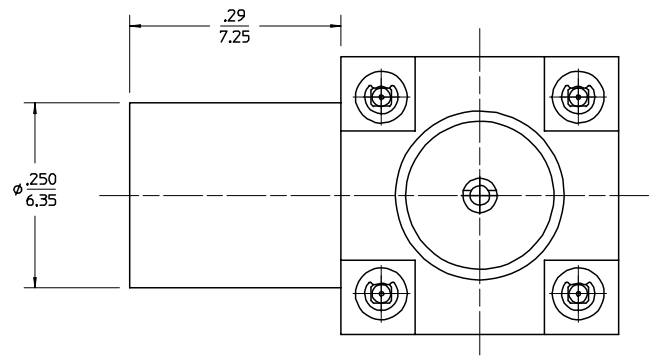
COMPLIANT PIN: MATERIAL: PHOSPHOR BRONZE
 PLATED: GOLD

INSULATOR: TEFLON

UL CERTIFIED FILE NO. 107635



RECOMMENDED PCB MOUNTING HOLE



PART # 73404-0270

PS-89675-2010	PRODUCT SPECIFICATION
TELLABS 51.0000	PERFORMANCE SPECIFICATION

SPECIFICATION	DESCRIPTION
CHG: ADDED NOTE UL CERTIFIED FILE NO 107635	UNLESS OTHERWISE SPECIFIED DIMS ARE INCHES AND ANGLES ARE DEGREES. 1. ✓ 63 ALL OVER. 2. NO CHATTER OR NON-UNIFORM SURFACE FINISH ALLOWED. 3. PARTS TO BE FREE OF BURRS & SHARP EDGES .005 MAX BREAK, & EXTERNAL THREADS TO BE ROLLED OR SINGLE POINT. 4. DIAMETERS TO BE CONCENTRIC WITHIN .003 TIR.
ECNO: URF-1242 DRWN: LMB 09/25/01 CHK: TEF 09/25/01 APPR: GMH 09/25/01 CHG: NEW RELEASE	
ECNO: URF-0858 DRWN: LMB 10/06/00 CHK: TEF 10/06/00 APPR: GMH 10/06/00	
CHG: DIM .15 WAS .20 TEF 09/11/00	
CHG: PLATING ON BODY WAS NICKEL. PLATING ON COMPLIANT PIN WAS TIN LEAD. DEPICTED SHORTER COMPLIANT PIN ADDED .200 DIM	
APPR: SSS 08/22/00 ADDED PRODUCT SPECIFICATION PS-89675-2010 TEF 06/22/00	DESCRIPTION

REV	DESCRIPTION
A1	
A	
4	
3	
2	

UNLESS OTHERWISE SPECIFIED DIMS ARE INCHES AND ANGLES ARE DEGREES.
 1. ✓ 63 ALL OVER.
 2. NO CHATTER OR NON-UNIFORM SURFACE FINISH ALLOWED.
 3. PARTS TO BE FREE OF BURRS & SHARP EDGES .005 MAX BREAK, & EXTERNAL THREADS TO BE ROLLED OR SINGLE POINT.
 4. DIAMETERS TO BE CONCENTRIC WITHIN .003 TIR.

QUALITY SYMBOLS
 MAJOR
 CRITICAL

GENERAL TOLERANCES: (UNLESS SPECIFIED)	
mm	INCH
4 PLACES	± .0005
3 PLACES	± .005
2 PLACES	± .01
1 PLACE	± .1

ANGULAR: ±2°

DRAFT WHERE APPLICABLE MUST REMAIN WITHIN DIMENSIONS

SCALE	DESIGN UNITS
SSS 04/26/00	<input type="checkbox"/> mm <input checked="" type="checkbox"/> INCH
DRAWN BY & DATE	
SSS 04/26/00	
CHECKED BY & DATE	
TEF 04/26/00	
APPROVED BY & DATE	
DMH 04/26/00	
CAD FILENAME	

THIRD ANGLE PROJECTION		DIMENSIONS:	
<input type="checkbox"/> mm	<input checked="" type="checkbox"/> INCH	<input type="checkbox"/> mm	<input type="checkbox"/> ONLY
TITLE:			
SMB 75 OHM, R/A, PCB, PLUG w/CONFORMABLE PINS, SMB-P/RA/PCB			
MOLEX MOLEX INCORPORATED			
MATERIAL NO.	DRAWING NO.	SHEET NO.	
SEE NOTE	SD-73404-027	1 of 1	

1	A1
SHT	REV
REVISE ON CAD ONLY	
THIS DRAWING CONTAINS INFORMATION THAT IS PROPRIETARY TO MOLEX INCORPORATED AND SHOULD NOT BE USED WITHOUT WRITTEN PERMISSION.	
SIZE	B