

DRAWING MADE IN THIRD ANGLE PROJECTION

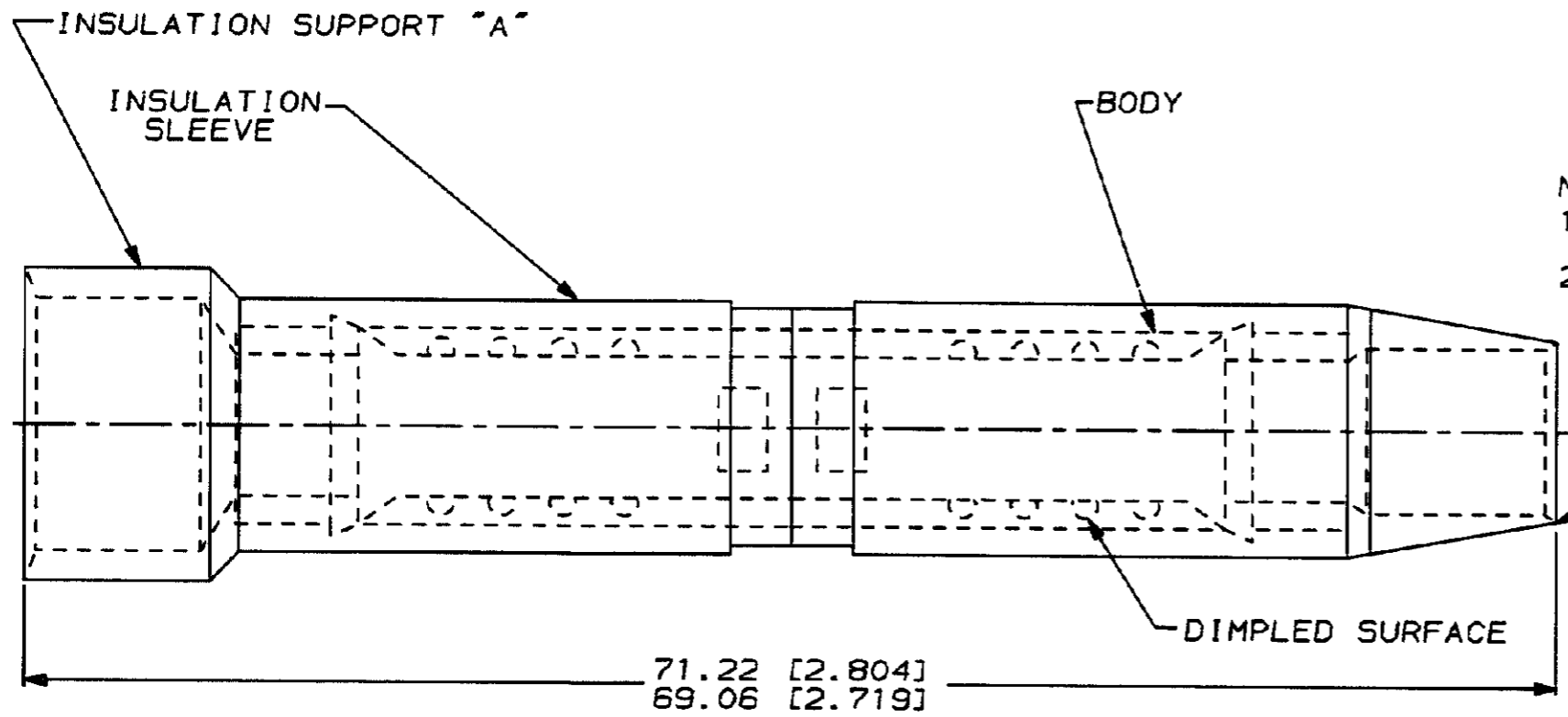
THIS DRAWING IS UNPUBLISHED. RELEASED FOR PUBLICATION, 19
 © COPYRIGHT 19 BY AMP INCORPORATED. ALL INTERNATIONAL RIGHTS RESERVED.

| LOC | DIST | P | F | ZONE | LTR | DESCRIPTION | DATE | APPD |
|-----|------|---|---|------|-----|------------------------------------|---------|------|
| G | 14 | | | | F | REVISED & REDRAWN PER 0720-0303-93 | 8-30-93 | BB |

AMP
 WIRE RANGE
 4 AWG
 STRANDED

METRIC
 DIMENSIONS LISTED IN mm [INCHES]

- NOTE:
 1. WIRE INSULATION DIA INSULATION SUPPORT "A" 12.57 [.495] MAX
 2. WIRE INSULATION DIA INSULATION SUPPORT "B" 9.40 [.370] MAX



| | | | | | |
|--|--|---|---|--|-----------|
| AMP INCORPORATED CUSTOMER SERVICE SYSTEMS | | MAX RECOMMENDED OPERATING TEMPERATURE: 105°C | 100 | LOOSE PC | 324662 |
| FOR ADDITIONAL PRODUCT INFORMATION OR COPIES OF DRAWINGS AND TECHNICAL DOCUMENTS | PRODUCT INFORMATION CENTER 1-800-522-6752 | VOLTAGE RATING: 600 V MAX | QTY | PACKAGE TYPE | PART NO |
| FOR APPLICATION TOOLING INFORMATION | TOOLING ASSISTANCE CENTER 1-800-722-1111 | CIRCULAR MIL AREA: 16.77-26.65mm² [33, 100-52, 600] STRANDED | DO NOT SCALE PRINT. UNLESS SPECIFIED DIMENSIONS ARE IN MILLIMETERS. TOLERANCES ON: 2 PLC DEC ± 0.20 (.008) 3 PLC DEC ± - ANGLES ± - MATERIAL: COPPER PER ASTM B-152 NYLON, COLOR: YELLOW FINISH: TIN PLATE PER MIL-T-10727 | | |
| FOR ORDER ENTRY | 1-800-526-5142 | THIS DRAWING IS A CONTROLLED DOCUMENT FOR AMP INCORPORATED. IT IS SUBJECT TO CHANGE AND THE CONTROLLING ENGINEERING ORGANIZATION SHOULD BE CONTACTED FOR THE LATEST REVISION. | DR 8-30-93 S.S. GOLDEN | AMP AMP Incorporated Harrisburg, PA 17105-3608 NAME SPLICE, BUTT, SINGLE TO MULTIPLE, TERMINYL, WIRE SIZE: 4 AWG | |
| | | | CHK 8-30-93 R. HERSEY | SIZE | CAGE CODE |
| | | | APPD 8-30-93 B. BARE | B | 00779 |
| | | | APPD 8-30-93 N. ELLIS | DRAWING NO | C=324662 |
| | | | PRODUCT SPEC | SCALE | SHEET |
| | | | APPLICATION SPEC | NTS | 1 OF 1 |
| | | | WEIGHT - | | |