



Raychem

TE Internal #: 937197-000

Hook Up Wire, MIL-DTL-22759, 600V Voltage Rating, Blue Wire Color, 24AWG Wire Size, Operating Temperature Range -65 – 200 °C

[View on TE.com >](#)

Wire & Cable > Hook Up Wire



Cable Type: MIL-DTL-22759

Voltage Rating: 600 V

Wire Color: Blue

Insulation Material: Modified Radiation Cross-linked ETFE Polymer

Conductor Material: Silver-Coated Copper

Features

Product Type Features

|                        |  |
|------------------------|--|
| Cable Style            | Primary                                      |
| Product Type           | Wire   |
| Product Classification | Cable - High Performance - Spec 44, 55 & RCW |
| Cable Type             | MIL-DTL-22759                                |

Configuration Features

|                      |    |
|----------------------|----|
| Number of Conductors | 1  |
| Number of Strands    | 19 |

Electrical Characteristics

|                |       |
|----------------|-------|
| Voltage Rating | 600 V |
|----------------|-------|

Body Features

|                     |  |
|---------------------|--|
| Wire Color          | Blue   |
| Insulation Material | Modified Radiation Cross-linked ETFE Polymer |
| Conductor Material  | Silver-Coated Copper                         |

Dimensions

|                          |                   |
|--------------------------|-------------------|
| Overall Outside Diameter | 1.14 mm[.0448 in] |
| Wire Diameter            | 1.143 mm[.045 in] |



|                    |                            |
|--------------------|----------------------------|
| Conductor Diameter | .61 mm[.024 in]<br>.009 in |
| Strand Size        | 36 AWG                     |
| Wire Size          | 24 AWG                     |

**Usage Conditions**

|                             |              |
|-----------------------------|--------------|
| Operating Temperature Range | -65 – 200 °C |
|-----------------------------|--------------|

**Other**

|             |               |
|-------------|---------------|
| Wire Source | United States |
|-------------|---------------|

**Product Compliance**

[For compliance documentation, visit the product page on TE.com>](#)

|   |   |
|---|---|
| EU RoHS Directive 2011/65/EU                  | Compliant   |
| EU ELV Directive 2000/53/EC                   | Compliant   |
| China RoHS 2 Directive MIIT Order No 32, 2016 | No Restricted Materials Above Threshold   |
| EU REACH Regulation (EC) No. 1907/2006        | Current ECHA Candidate List: JUN 2020 (209)<br>Candidate List Declared Against: JUL 2019 (201)<br>Does not contain REACH SVHC |
| Halogen Content                               | Out of Scope - excluded from Halogen requirements   |
| Solder Process Capability                     | Not applicable for solder process capability  |

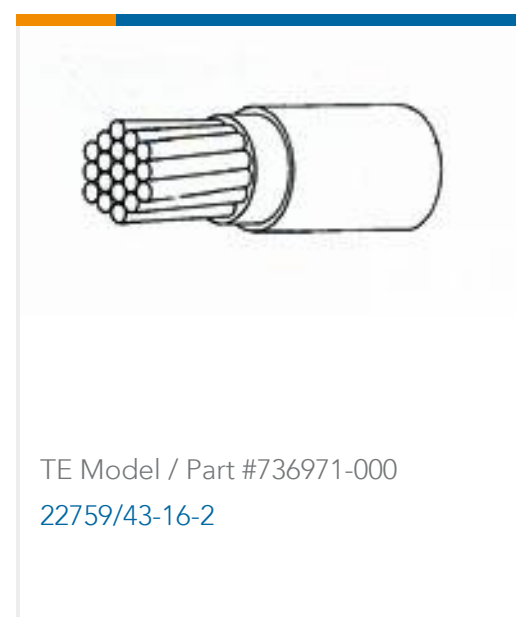
**Product Compliance Disclaimer**

This information is provided based on reasonable inquiry of our suppliers and represents our current actual knowledge based on the information they provided. This information is subject to change. The part numbers that TE has identified as EU RoHS compliant have a maximum concentration of 0.1% by weight in homogenous materials for lead, hexavalent chromium, mercury, PBB, PBDE, DBP, BBP, DEHP, DIBP, and 0.01% for cadmium, or qualify for an exemption to these limits as defined in the Annexes of Directive 2011/65/EU (RoHS2). Finished electrical and electronic equipment products will be CE marked as required by Directive 2011/65/EU. Components may not be CE marked. Additionally, the part numbers that TE has identified as EU ELV compliant have a maximum concentration of 0.1% by weight in homogenous materials for lead, hexavalent chromium, and mercury, and 0.01% for cadmium, or qualify for an exemption to these limits as defined in the Annexes of Directive 2000/53/EC (ELV). Regarding the REACH Regulations, TE’s information on SVHC in articles for this part number is still based on the European Chemical Agency (ECHA) ‘Guidance on requirements for substances in articles’ (Version: 2, April 2011), applying the 0.1% weight on weight concentration threshold at the finished product level. TE is aware of the European Court of Justice ruling of September 10th, 2015 also known as O5A (Once An Article Always An Article) stating that, in case of ‘complex object’, the threshold for a SVHC must be applied to both the product as a whole and simultaneously to each of the articles forming part of its composition. TE has evaluated this ruling based on the new ECHA “Guidance on requirements for substances in articles” (June 2017, version 4.0) and will be updating its statements accordingly.

**Compatible Parts**



## Customers Also Bought



## Documents

### Product Drawings

[22759/43-24-6](#)

English

### Datasheets & Catalog Pages

[1654025\\_Sec9\\_SPEC55](#)

English

### Raychem Wire and Cable Quick Reference Guide

English



---

**Product Specifications**

**Product Specification**

English