

Absolute Maximum Ratings

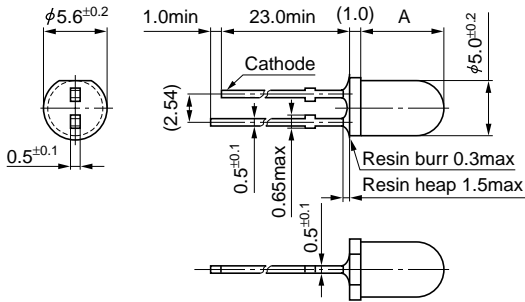
Parameter	Unit	Ratings	Conditions
I _F	mA	100	
ΔI _F	mA/°C	-1.33	Above 25°C
I _{FP}	mA	1000	f=1kHz, tw≤10μs
V _R	V	5	
T _{op}	°C	-30~+85	
T _{stg}	°C	-30~+100	

Shape	Part No.	Emitting Color	Forward Voltage V _F		Optical Power P _e		Electro-Optical Characteristics (T _a =25°C)		Direct Mount	Fig. No.
			I _F =10mA (V)	typ	max	typ	Conditions	Peak Wave-length λ _P (mm)		
5φ round type	SID1010CM	Clear	1.3	1.5	130	(Constant voltage) V _{CC} =3V, R=2.2Ω	940	GaAs	×	44
	SID1K10CM	Clear	1.3	1.5	200		940	GaAs	×	
	SID1010CXM	Clear	1.3	1.5	60		940	GaAs	×	
	SID1K10CXM	Clear	1.3	1.5	110		940	GaAs	×	
	SID1050CM	Clear	1.3	1.5	250		940	GaAs	○	45
	SID303C	Clear	1.3	1.5	80		940	GaAs	×	
	SID313BP	Transparent light purple	1.3	1.5	130		940	GaAs	×	46
	SID1003BQ	Transparent light navy blue	1.3	1.5	180		940	GaAs	×	
	SID307BR	Transparent dark navy blue	1.3	1.5	200		940	GaAs	×	
SID1G307C	Clear	1.5	1.8	50	I _F =50mA	850	GaAlAs	×	47	
3φ round type	SID2010C	Clear	1.3	1.5		7.0	940	GaAs		×
	SID2K10C	Clear	1.3	1.5	14	940	GaAs	×		

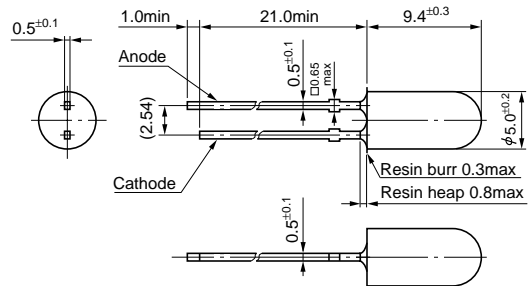
External Dimensions (unit: mm)

(General tolerance: ±0.3)

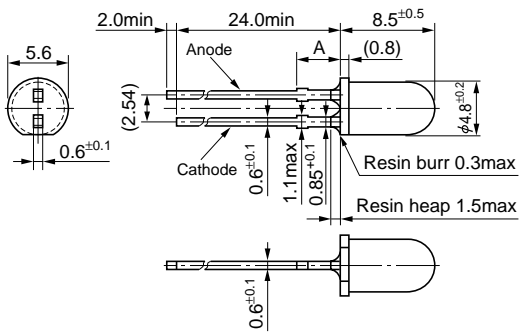
• No. 44



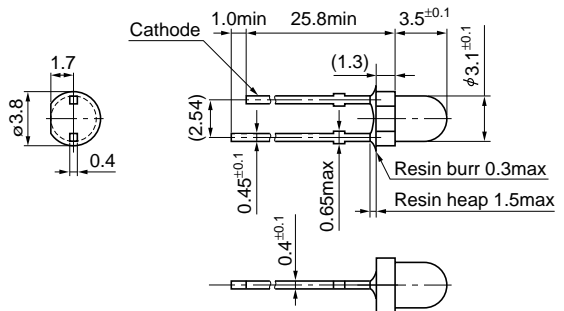
• No. 45



• No. 46



• No. 47



(unit: mm)

Dimension A

SID 303C	3.0±0.5
SID 313BP	3.6±0.5
SID 1003BQ	
SID 307BR	
SID1G307C	4.2±0.5