



Raychem

TE Internal #: 9487753001

Hook Up Wire, Spec 99M, 600V Voltage Rating, Blue Wire Color, 26AWG Wire Size, .13mm<sup>2</sup> Wire Size, Operating Temperature Range -65 – 125 °C

[View on TE.com >](#)

Wire & Cable > Hook Up Wire



Cable Type: **Spec 99M**

Voltage Rating: **600 V**

Wire Color: **Blue**

Insulation Material: **Radiation-Crosslinked, Modified Polyester**

Conductor Material: **Tin-Plated Copper**

### Features

#### Product Type Features

|                        |                       |
|------------------------|-----------------------|
| Product Type           | Cable                 |
| Product Classification | Cable - Spec 99 & 100 |
| Cable Style            | Primary               |
| Cable Type             | Spec 99M              |

#### Configuration Features

|                      |    |
|----------------------|----|
| Number of Conductors | 1  |
| Number of Strands    | 19 |

#### Electrical Characteristics

|                |       |
|----------------|-------|
| Voltage Rating | 600 V |
|----------------|-------|

#### Body Features

|                     |   |
|---------------------|---|
| Wire Color          | Blue                                      |
| Insulation Material | Radiation-Crosslinked, Modified Polyester |
| Conductor Material  | Tin-Plated Copper                         |

#### Dimensions

|                          |                  |
|--------------------------|------------------|
| Wire Diameter            | .8 mm[.031 in]   |
| Overall Outside Diameter | .95 mm[.0375 in] |
| Conductor Diameter       | .5 mm[.02 in]    |



|                            |                 |
|----------------------------|-----------------|
| Cable Insulation Thickness | .15 mm[.006 in] |
|----------------------------|-----------------|

|             |        |
|-------------|--------|
| Strand Size | 38 AWG |
|-------------|--------|

|           |                     |
|-----------|---------------------|
| Wire Size | .13 mm <sup>2</sup> |
|-----------|---------------------|

### Usage Conditions

|                             |              |
|-----------------------------|--------------|
| Operating Temperature Range | -65 – 125 °C |
|-----------------------------|--------------|

### Other

|             |                |
|-------------|----------------|
| Wire Source | United Kingdom |
|-------------|----------------|

## Product Compliance

[For compliance documentation, visit the product page on TE.com>](#)

|                              |           |
|------------------------------|-----------|
| EU RoHS Directive 2011/65/EU | Compliant |
|------------------------------|-----------|

|                             |           |
|-----------------------------|-----------|
| EU ELV Directive 2000/53/EC | Compliant |
|-----------------------------|-----------|

|   |   |
|---|---|
| China RoHS 2 Directive MIIT Order No 32, 2016 | No Restricted Materials Above Threshold |
|---|---|

|  |   |
|--|---|
| EU REACH Regulation (EC) No. 1907/2006 | Current ECHA Candidate List: JUN 2020 (209)<br>Candidate List Declared Against: JUN 2020 (209)<br>Does not contain REACH SVHC |
|--|---|

|                 |   |
|-----------------|---|
| Halogen Content | Out of Scope - excluded from Halogen requirements |
|-----------------|---|

|                           |  |
|---------------------------|--|
| Solder Process Capability | Not applicable for solder process capability |
|---------------------------|--|

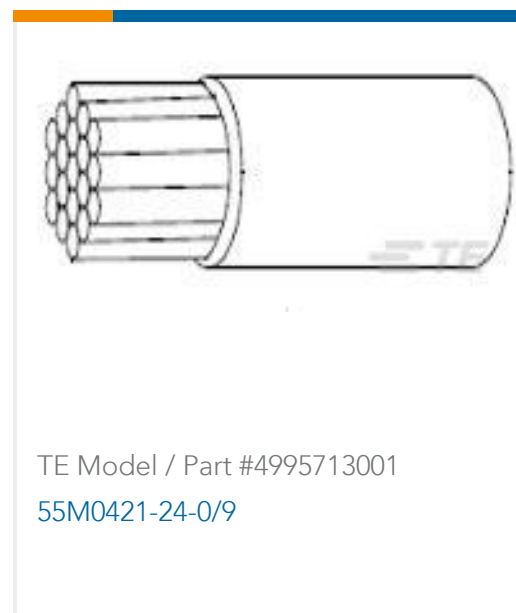
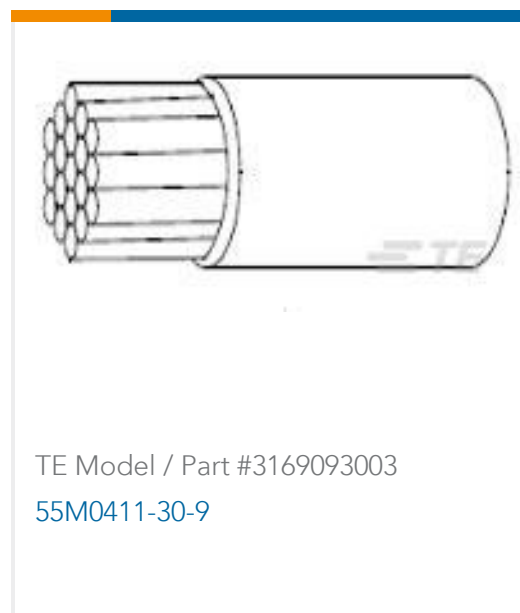
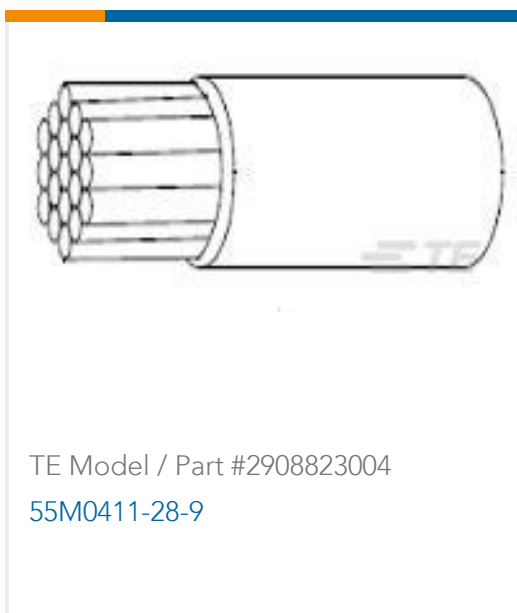
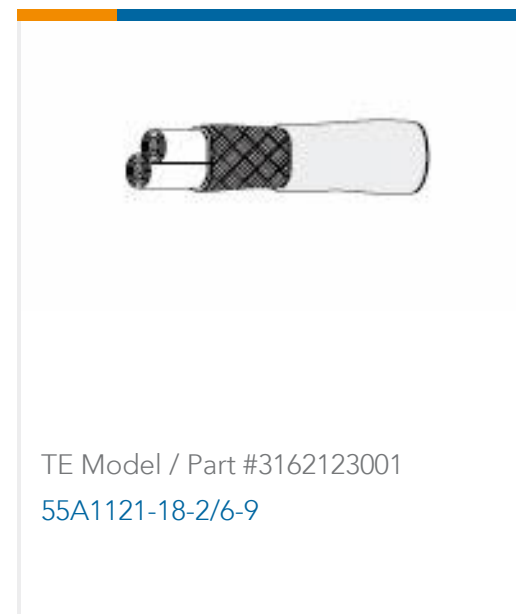
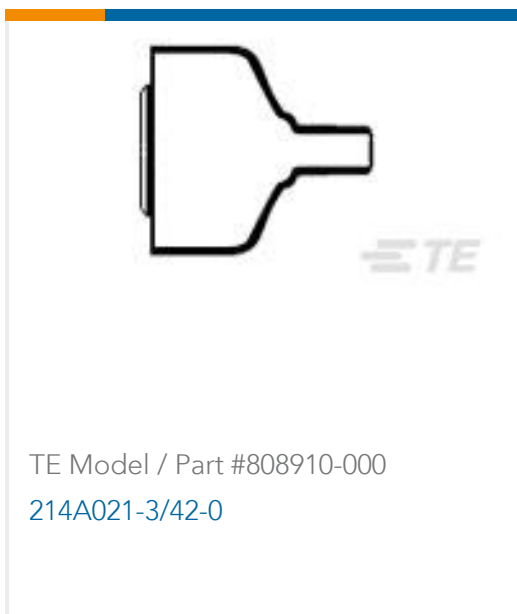
#### Product Compliance Disclaimer

This information is provided based on reasonable inquiry of our suppliers and represents our current actual knowledge based on the information they provided. This information is subject to change. The part numbers that TE has identified as EU RoHS compliant have a maximum concentration of 0.1% by weight in homogenous materials for lead, hexavalent chromium, mercury, PBB, PBDE, DBP, BBP, DEHP, DIBP, and 0.01% for cadmium, or qualify for an exemption to these limits as defined in the Annexes of Directive 2011/65/EU (RoHS2). Finished electrical and electronic equipment products will be CE marked as required by Directive 2011/65/EU. Components may not be CE marked. Additionally, the part numbers that TE has identified as EU ELV compliant have a maximum concentration of 0.1% by weight in homogenous materials for lead, hexavalent chromium, and mercury, and 0.01% for cadmium, or qualify for an exemption to these limits as defined in the Annexes of Directive 2000/53/EC (ELV). Regarding the REACH Regulation, the information TE provides on SVHC in articles for this part number is based on the latest European Chemicals Agency (ECHA) 'Guidance on requirements for substances in articles' posted at this URL: <https://echa.europa.eu/guidance-documents/guidance-on-reach>

## Compatible Parts



## Customers Also Bought



## Documents

### Product Drawings

[99M0111-26-6](#)

English

### Datasheets & Catalog Pages

[1654025\\_Sec9\\_Type99M](#)

English

### Raychem Wire and Cable Quick Reference Guide

English

99M0111-26-6

Hook Up Wire, Spec 99M, 600V Voltage Rating, Blue Wire Color, 26AWG Wire Size, .  
13mm<sup>2</sup> Wire Size, Operating Temperature Range -65 – 125 °C

