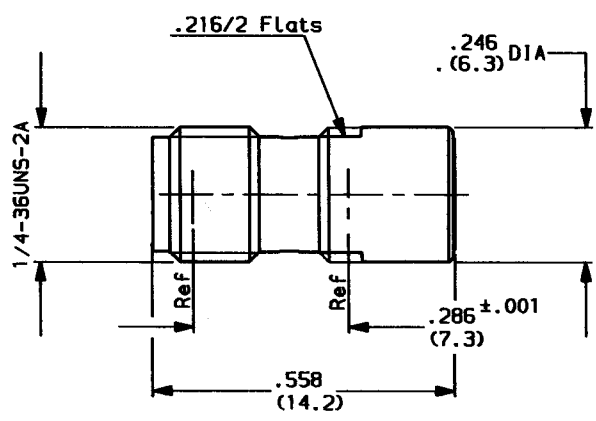


ADAPTER SMA JACK - SBMA JACK



MOUNTING HOLE

WEIGHT .060 oz (1.7 g)

cables:

CHARACTERISTICS

NOMINAL IMPEDANCE	50 Ω
FREQUENCY RANGE	0 - 18 GHz
TEMPERATURE RATING	-65/+105 °C
VSWR	1.05 + 0.01 f(GHz) Max
RF INSERTION LOSS	- dB Max
VOLTAGE RATING	250 V <sub>rms</sub>
DIELECTRIC WITHSTANDING VOLTAGE	675 V <sub>rms</sub>
INSULATION RESISTANCE	5000 MΩ
HERMETIC SEAL	NA cc/s cm <sup>3</sup> /s
LEAKAGE (pressurized only)	psi kg/cm <sup>2</sup>

STANDARDISATION

CABLE RETENTION

CENTER CONTACT RETENTION

Axial force - mating end	6.075 <sub>27</sub>	Lb Min
Axial force - opposite end	6.075 <sub>27</sub>	Lb Min
Torque (Min)	NA	inch.oz cm.N
RECOMMENDED TORQUES		
Mating	NA	inch. Lb cm. N
Panel nut	NA	inch. Lb cm. N
Clamp nut	NA	inch. Lb cm. N

CONSTRUCTION

CONNECTOR PARTS	MATERIALS	FINISH
BODY	Stainless steel	Passivated
OUTER CONTACT	Bronze	Gold over nickel
CENTER CONTACT	Beryllium copper	Gold over nickel
INSULATORS	PTFE	-
-	-	-
-	-	-
-	-	-
-	-	-
-	-	-

ISSUE	REVISION No	DESCRIPTION	BY	DATE
.	.	.	.	.
.	.	.	.	.
.	.	.	.	.
.	.	.	.	.

Initiated on 29-JAN-90  
Superseded on -----

The information given here is subject to change without notice. Design changes may be in order to improve the product.

