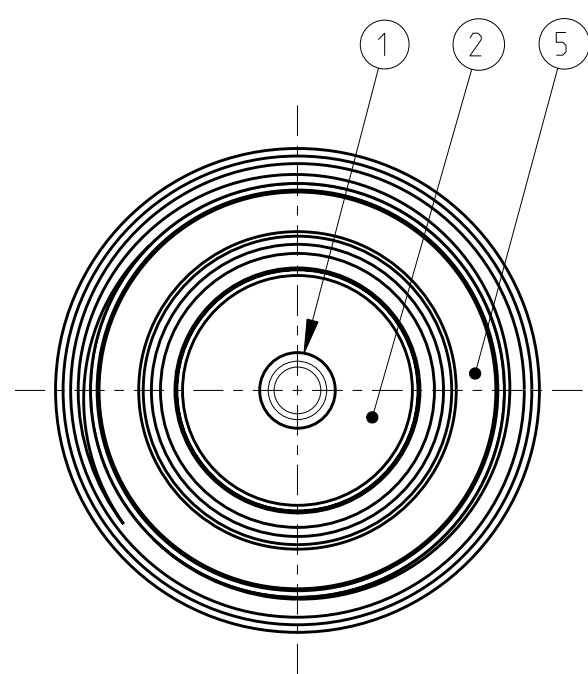
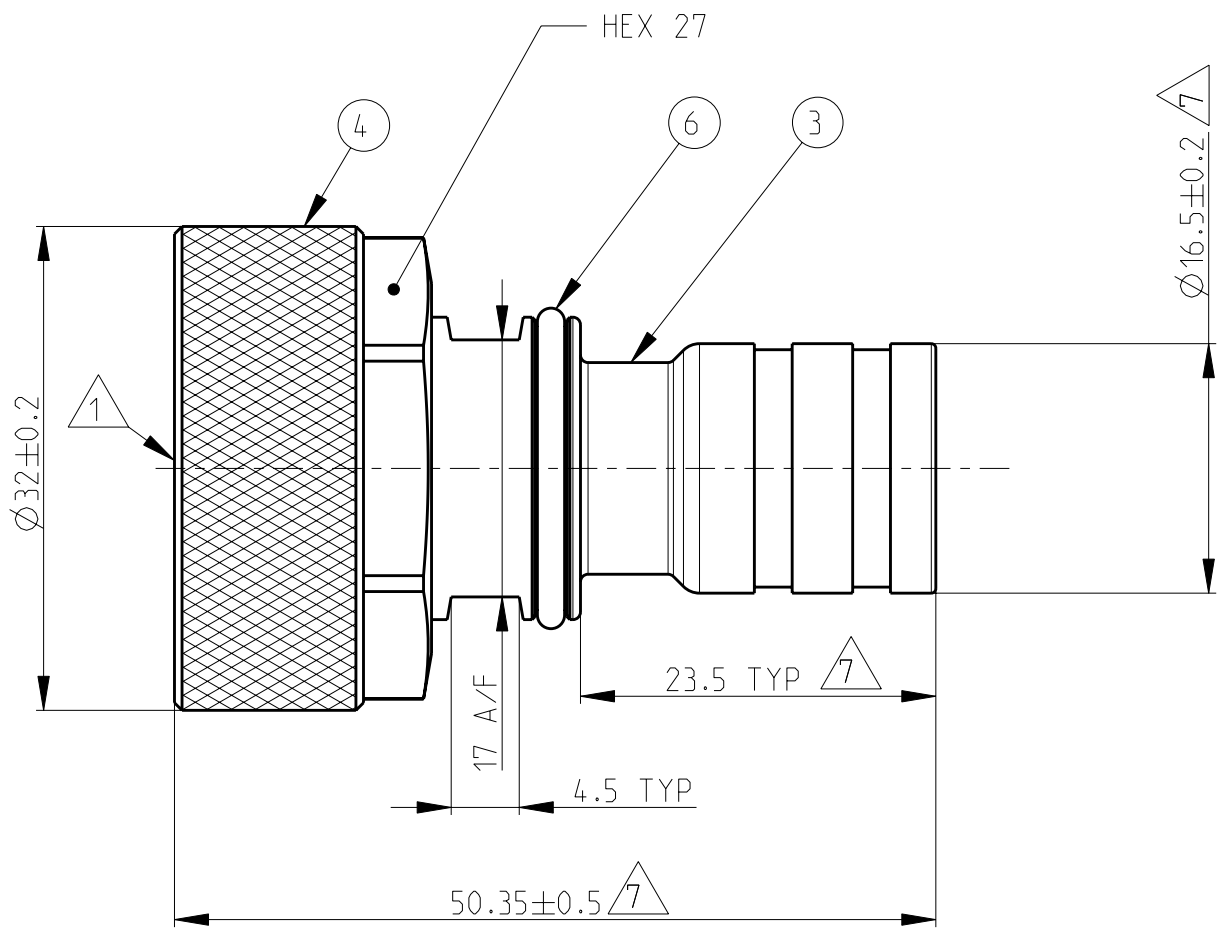


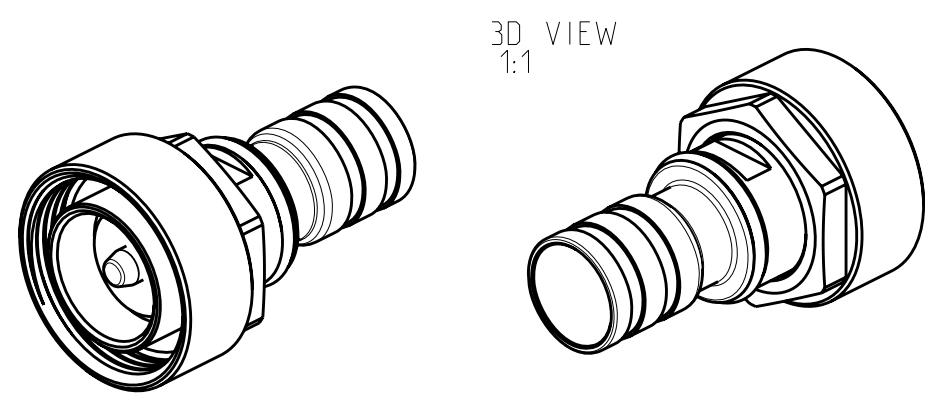
THIS DRAWING IS UNPUBLISHED. RELEASED FOR PUBLICATION
 © COPYRIGHT - BY TYCO ELECTRONICS CORPORATION. ALL RIGHTS RESERVED.

LOC	DIST	REVISIONS			
P	LTR	DESCRIPTION	DATE	DWN	APVD
GW	00	053	notes added	07JAN2004	FH RL
		054	body outline changed	20FEB2004	FH RL
		055	product spec. nr and connector weight added	19MAY2004	FH RL
		A	First Issue	28Jul2006	MG DB



- 1 Interface according to IEC 169-4.
- 2) Connector design for T2C 500 28 cable.
- 3) Center conductor connection with cable: soldered.
- 4) Outer conductor connection with cable : induction soldered.
- 5) Connector shown in assembled status.
- 6 This connector is part of a cable assembly.
This connector can not be ordered separately.
- 7 Dimension without shrink sleeve.

PART NR	ITEM NR	PIECES	DESCRIPTION	MATERIAL	PLATING
1460159-1 6	6	1	RETAINING GASKET	SILICONE RUBBER	NONE
	5	1	FLANGE GASKET	SILICONE RUBBER	NONE
	4	1	COUPLING NUT	BRASS	min. 2 µm CuZnSn
	3	1	BODY	BRASS	min. 3 µm Ag
	2	1	DIELECTRIC	PTFE	NONE
	1	1	CENTER CONDUCTOR	BRASS	min. 3 µm Ag



THIS DRAWING IS A CONTROLLED DOCUMENT FOR TYCO ELECTRONICS CORPORATION. IT IS SUBJECT TO CHANGE AND THE CONTROLLING ENGINEERING ORGANIZATION SHOULD BE CONTACTED FOR THE LATEST REVISION.

DIMENSIONS: mm	TOLERANCES UNLESS OTHERWISE SPECIFIED: 0 PLC ± 1 PLC ±0.0 2 PLC ±0.00 3 PLC ±0.000 4 PLC ±0.0000 ANGLES ±	DWN F. Hellin 18NOV2003	Tyco Electronics Oostkamp - Belgium
	MATERIAL see table FINISH see table	CHK F. Hellin 24NOV2003	
		APVD R. Leeman 24NOV2003	
PRODUCT SPEC 108-90056 APPLICATION SPEC - WEIGHT ±79g		NAME 7/16 Straight cable plug for 1/2" spiral corrugated cable SIZE A3 CAGE CODE 00779 DRAWING NO C-1460159 RESTRICTED TO -	
CUSTOMER DRAWING		SCALE 2:1	SHEET 1 OF 1 REV A