



**RADIALL**

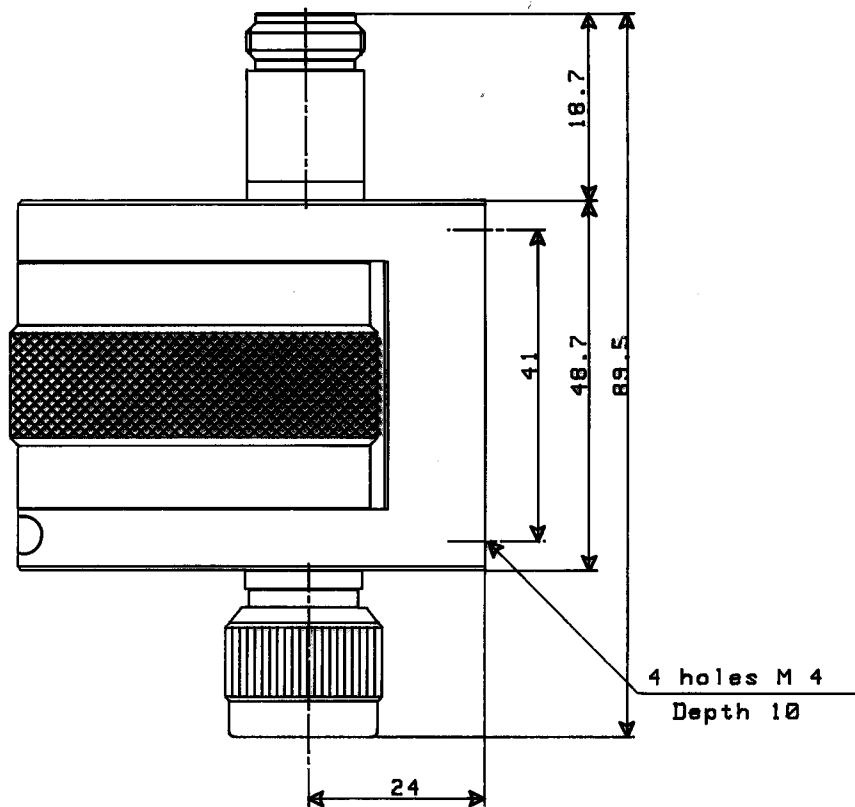
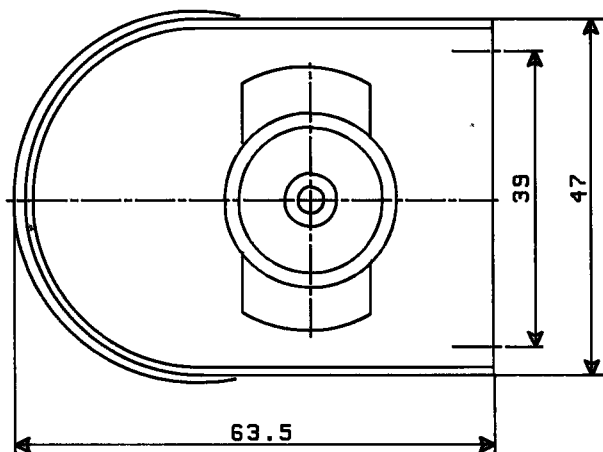
**® R 418 035 000**

**TECHNICAL  
DATA SHEET**

TITLE MANUAL STEP ATTENUATOR

LTR. A

DRAWING:



General tolerances:  $\pm 0.5$  mm

|             |                         |                  |            |                  |                  |
|-------------|-------------------------|------------------|------------|------------------|------------------|
| <b>PEN</b>  | <b>QUALITY Dpt App.</b> |                  |            |                  |                  |
| <u>CAT</u>  | MO                      | 24 SEP 1991      |            |                  |                  |
|             | B                       |                  |            |                  |                  |
| <b>PAGE</b> | <b>DATE</b>             | <b>NAME</b>      | <b>LTR</b> | <b>REVISIONS</b> | <b>DATE APP.</b> |
| <u>2/2</u>  | <u>19/09/91</u>         | <u>K. LUCIEN</u> |            |                  |                  |



**RADIALL**

**® R 418 035 000**

**TECHNICAL  
DATA SHEET**

TITLE MANUAL STEP ATTENUATOR

LTR. A

ELECTRICAL CHARACTERISTICS:

OPERATING FREQUENCY : DC - 4 GHz  
 IMPEDANCE : 50 Ohms  
 ATTENUATION :  
     (reference from 0 dB pos.) : 0 - 5 dB by 1 dB step  
 ATTENUATION ACCURACY : ± 0.3 dB  
 V.S.W.R. : ≤ 1.30  
 INSERTION LOSS ( residual ) : ≤ 0.30 dB  
 AVERAGE POWER : 2 W at 25°C  
 PEAK POWER : 500 W ( 1 μs, 1% )

MECHANICAL CHARACTERISTICS:

CONNATORS : N male/female per MIL C 39012  
 WEIGHT : 680 grams

ENVIRONMENTAL CHARACTERISTICS:

OPERATING TEMPERATURE RANGE : 0°C to 40°C

Tentative data subject to change without notice.

|      |                  |                        |     |           |      |      |
|------|------------------|------------------------|-----|-----------|------|------|
| PEN  | QUALITY Dpt App. |                        | LTR | REVISIONS | DATE | APP. |
|      | CAT              | MO<br>24 SEP 1991<br>B |     |           |      |      |
| PAGE | DATE             | NAME                   |     |           |      |      |
| 1/2  | 19/09/91         | K. LUCIEN              |     |           |      |      |