

REFERENCE STANDARD IEC60169-4

1.ELECTRIC PERFORMANCE:
 NOMINAL IMPEDANCE(Ω) : 50
 FREQUENCY RANGE : DC-6 GHz
 VSWR : ≤ 1.10
 PIM(dBc) : ≤ -160 (2 X 43 dBm)
 INSERT LOSS : ≤ 0.05
 INSULATION RESISTANCE (M Ω) : ≥ 10000
 WITHSTAND VOLTAGE (V) : 1500
 CONDUCTOR RESISTANCE (m Ω) : OUTER CONDUCTOR<0.2
 INNER CONDUCTOR<0.8

2.MECHANICAL PERFORMANCE:
 NUT TORQUE : 25N.m
 (NUT)WHORL PULL : 1000N
 TENSILE FORCE
 (CABLE-CONNECTOR) : 150N
 TORSION (CABLE-CONNECTOR) : 0.3N.m

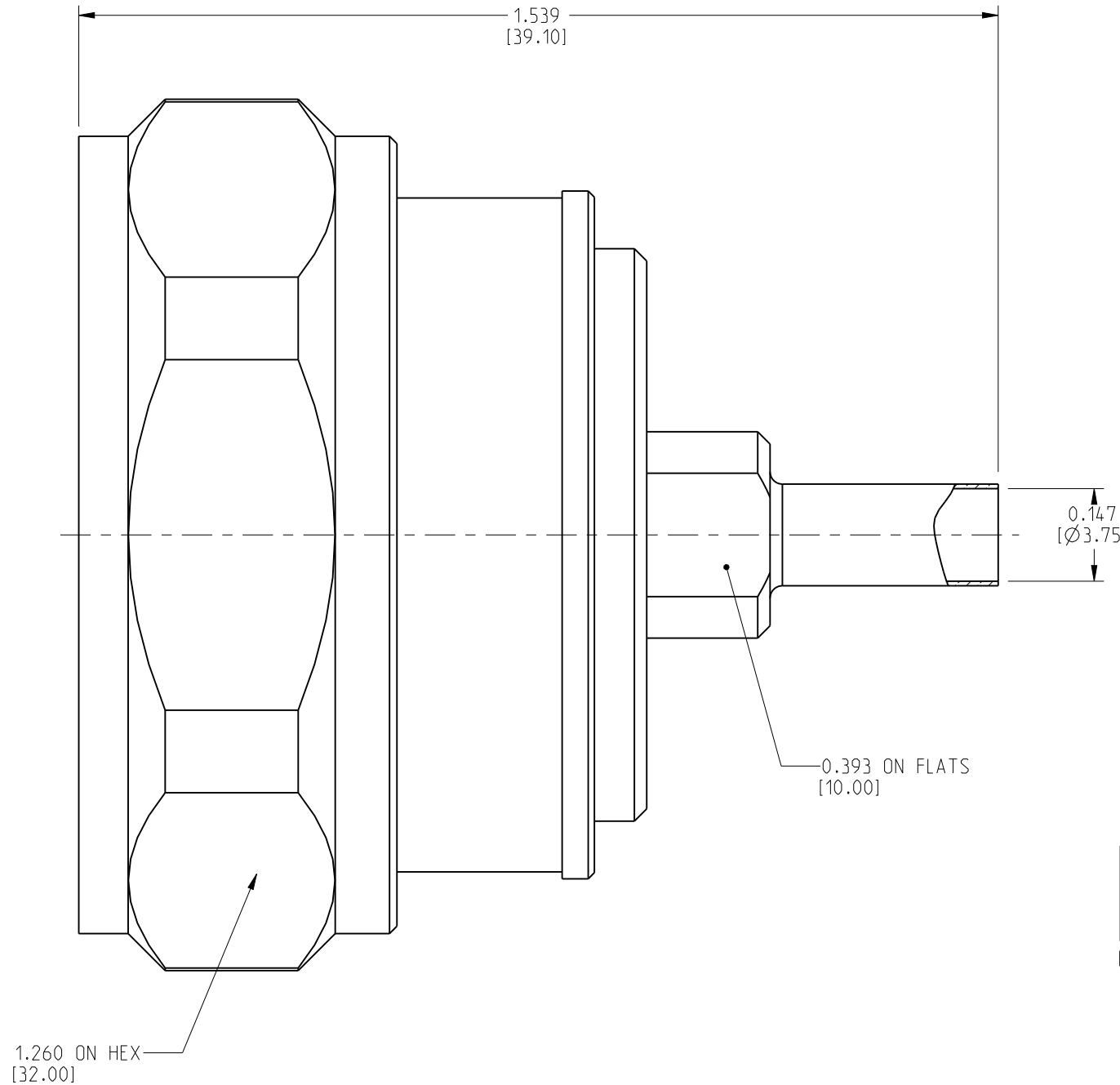
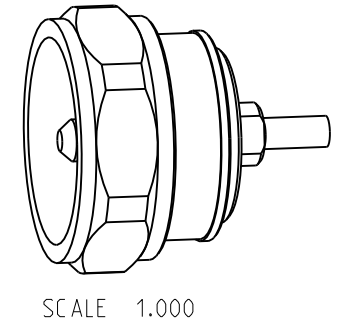
3.MATERIAL AND PLATING:
 INNER CONDUCTOR : BRASS PLATING Ag5um
 OUTER CONDUCTOR : BRASS PLATING COPPER-TIN-ZINC 2um
 NUT : BRASS PLATING Ni5um
 GASKET : SILICONE RUBBER
 INSULATOR : PTFE

4.ENVIRONMENT:
 TEMP.RANGE : -55°C TO +155°C
 WEATHER STANDARD : IEC 60068 40/085/21
 THERMAL SHOCK : US MIL-STD 202.Meth.107, COND.B
 VIBRATION : US MIL-STD 202.Meth.204, COND.B
 SHOCK : US MIL-STD 202.Meth.213, COND.I
 WATERPROOFING STANDARD : IP67

5.ASSEMBLY: INNER AND OUTER CONDUCTOR SOLDERED

6.ROHS COMPLIANT.

272109-10		REVISIONS			
DRAWING NO.	REV	DESCRIPTION	DATE	ECO	APPR
THIRD ANGLE PROJ.	A	RELEASE TO MFG.	11-Oct-12	--	MG



5	NUT	BRASS	NICKEL	1
4	GASKET	SILICONE RUBBER		1
3	INSULATOR	PTFE	NATURAL	1
2	CONTACT PIN	BRASS	SILVER	1
1	BODY	BRASS	WHITE BRONZE	1
NO	DESCRIPTION	MATERIAL	FINISH	QTY

UNLESS OTHERWISE SPECIFIED, DIMENSIONS ARE IN INCHES AND TOLERANCES ARE: 2 PLACE DECIMAL ±.015 (0,381 mm) 3 PLACE DECIMAL ±.005 (0,127 mm) ANGLES ± 1°	MATERIAL	DRAWN	DATE	TITLE	Amphenol Connex
	SEE NOTES	GOPI M	11-Oct-12		
NOTICE - These drawings, specifications, or other data (1) are, and remain the property of Amphenol Corp. (2) must be returned upon request; and (3) are confidential and not to be disclosed to any person other than those to whom they are given by Amphenol Corp. The furnishing of these drawings, specifications, or other data by Amphenol Corp., or to any other person to anyone for any purpose is not to be regarded by implication or otherwise in any manner licensing, granting rights or permitting such holder or any other person to manufacture, use or sell any product, process or design, patented or otherwise, that may in any way be related to or disclosed by said drawings, specifications, or other data.	REFERENCE	ENGINEER	DATE	SCALE: 4.0:1	SHEET 1 OF 1
		GOPI M	11-Oct-12		
			APPROVED	DATE	DWG SIZE
				B	272109-10
		CAD FILE			REV
					A