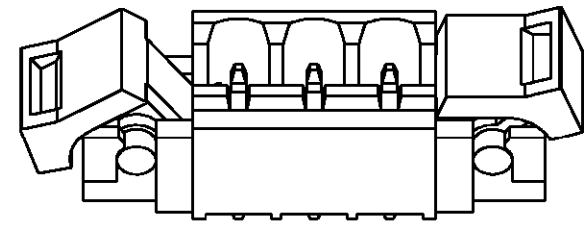
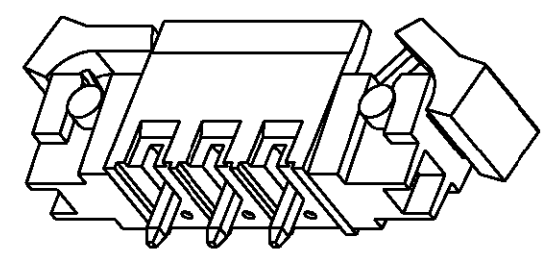


THIS DRAWING IS UNPUBLISHED. RELEASED FOR PUBLICATION 20  
 © COPYRIGHT 20 BY TYCO ELECTRONICS CORPORATION. ALL RIGHTS RESERVED.

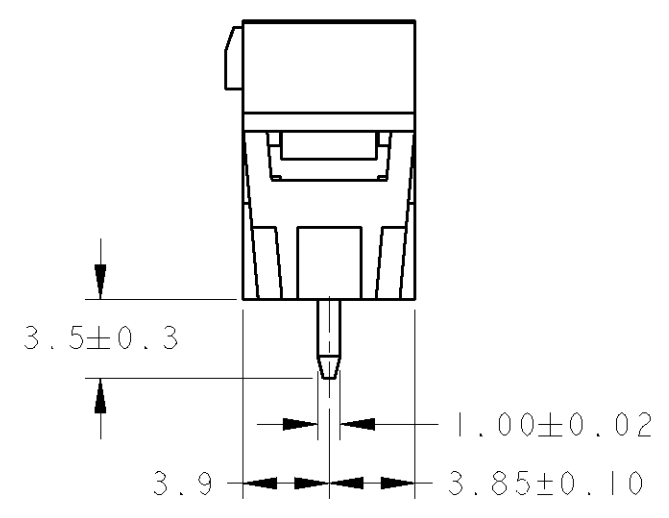
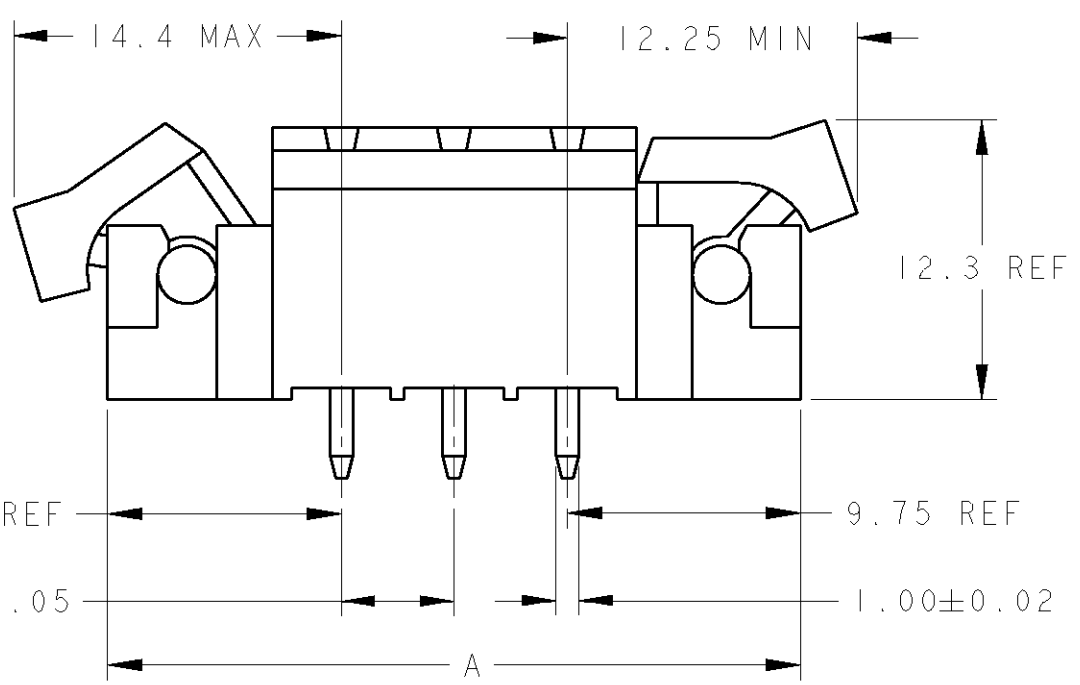
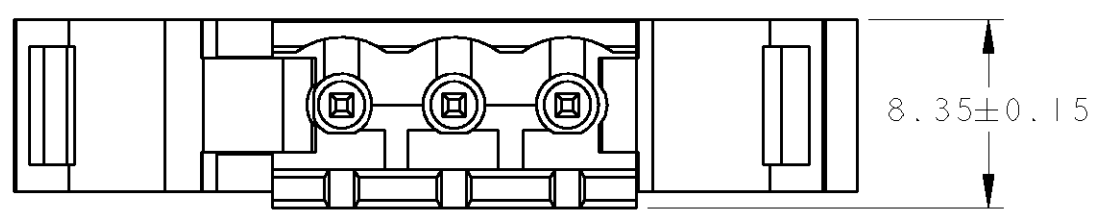
| LOC | DIST | REVISIONS                |           |     |      |
|-----|------|--------------------------|-----------|-----|------|
| P   | LTR  | DESCRIPTION              | DATE      | DWN | APVD |
| FT  | 0    |                          |           |     |      |
|     | B    | REVISED PER 0G3B-0119-01 | 02JAN2002 | EZ  | DB   |



284014-3 AS SHOWN

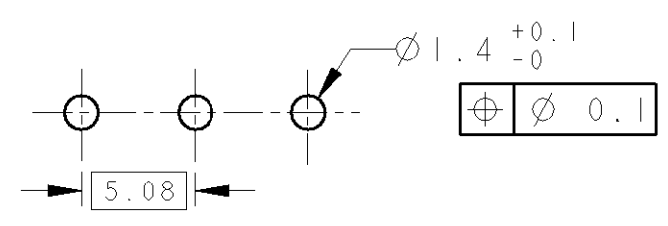


- 1 MATERIALS AND FINISH  
HOUSING: PA 6-6, UL 94-V0, COLOR GREEN.  
POST: PHOSPHOR BRONZE, TIN PLATED.
- 2. SUITABLE FOR 1,6-2,4mm PC BOARD THICKNESS.
- 3 NOT CUMULATIVE TOLERANCE.
- 4. IMQ CERTIFICATE WITH SURVEILLANCE IN CONFORMITY WITH IEC 998-1/998-2-1.



| 121.10 | 21         | 2-284014-1  |
|--------|------------|-------------|
| 116.02 | 20         | 2-284014-0  |
| 110.94 | 19         | 1-284014-9  |
| 105.86 | 18         | 1-284014-8  |
| 100.78 | 17         | 1-284014-7  |
| 95.70  | 16         | 1-284014-6  |
| 90.62  | 15         | 1-284014-5  |
| 85.54  | 14         | 1-284014-4  |
| 80.46  | 13         | 1-284014-3  |
| 75.38  | 12         | 1-284014-2  |
| 70.30  | 11         | 1-284014-1  |
| 65.22  | 10         | 1-284014-0  |
| 60.14  | 9          | 284014-9    |
| 55.06  | 8          | 284014-8    |
| 49.98  | 7          | 284014-7    |
| 44.90  | 6          | 284014-6    |
| 39.82  | 5          | 284014-5    |
| 34.74  | 4          | 284014-4    |
| 29.66  | 3          | 284014-3    |
| 24.58  | 2          | 284014-2    |
| DIM. A | N° OF POS. | PART NUMBER |

RECOMMENDED PC BOARD LAYOUT



|   |  |  |  |   |                 |
|---|--|--|--|---|-----------------|
| <small>THIS DRAWING IS A CONTROLLED DOCUMENT FOR TYCO ELECTRONICS CORPORATION<br/>IT IS SUBJECT TO CHANGE AND THE CONTROLLING ENGINEERING ORGANIZATION<br/>SHOULD BE CONTACTED FOR THE LATEST REVISION.</small> |  | DWN 02JAN2002<br>E. ZANOLINI<br>CHK 02JAN2002<br>E. ZANOLINI<br>APVD 02JAN2002<br>D. BIEVENOUR                     |  | <b>BUCHANAN</b> Tyco Electronics<br>Harrisburg, PA 17105-3608                       |                 |
| DIMENSIONS:<br>mm   |  | TOLERANCES UNLESS OTHERWISE SPECIFIED:<br>0 PLC ±-<br>1 PLC ±.3<br>2 PLC ±.25<br>3 PLC ±-<br>4 PLC ±-<br>ANGLES ±2 |  | NAME<br><b>TERMINAL BLOCK HEADER ASSEMBLY</b><br>180° WITH EJECTORS<br>5.08mm PITCH |                 |
| MATERIAL -  |  | FINISH -   |  | PRODUCT SPEC 108-20166<br>APPLICATION SPEC 114-20079<br>WEIGHT -                    |                 |
| CUSTOMER DRAWING  |  |  |  | SIZE A3<br>CAGE CODE 00779<br>DRAWING NO C=284014                                   | RESTRICTED TO - |
| SCALE 3:1   |  |  |  | SHEET 1 OF 1  | REV B           |