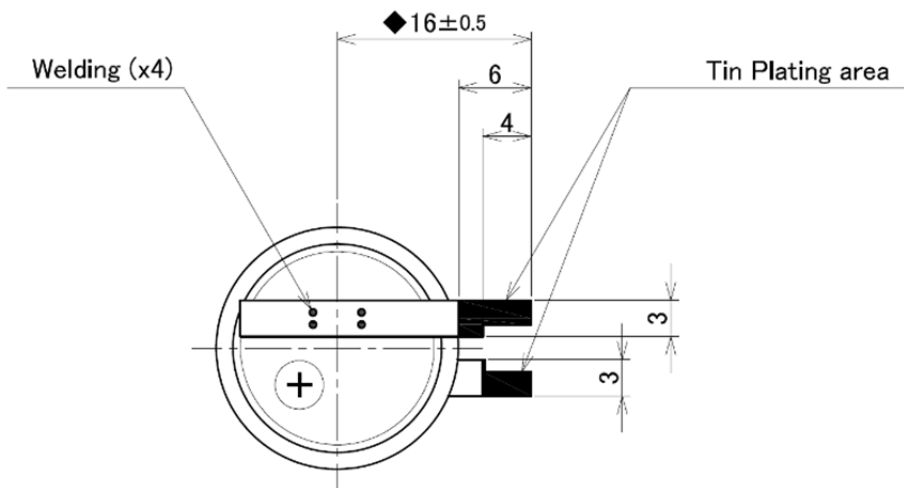
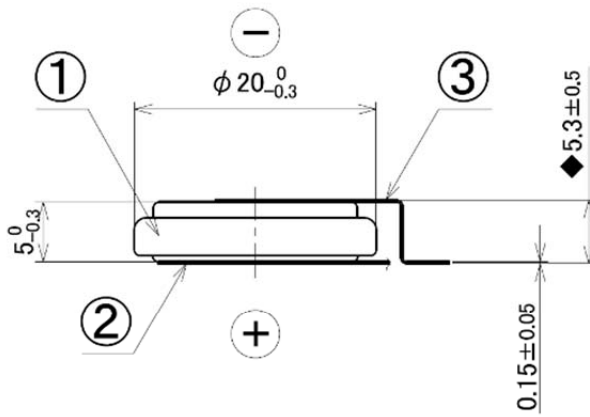
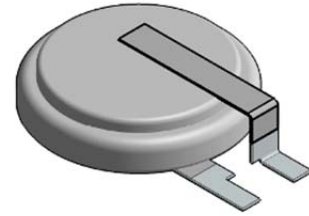
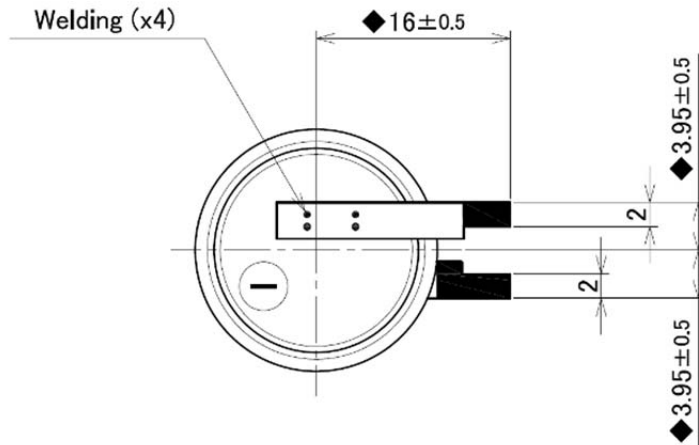


CR2050W-MP1



3	-Tab	SUS304, plating (Ni,Sn)
2	+Tab	SUS304, plating (Ni,Sn)
1	Cell	CR2050W
No.	ITEMS	SPECIFICATIONS