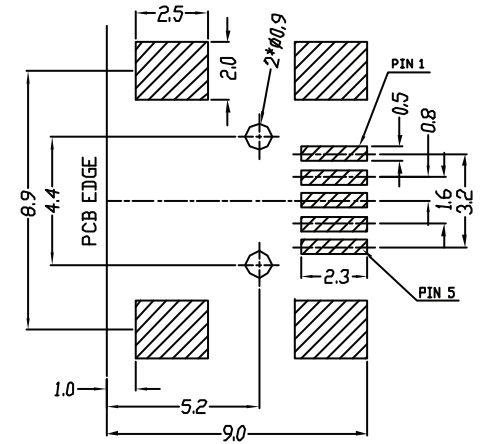
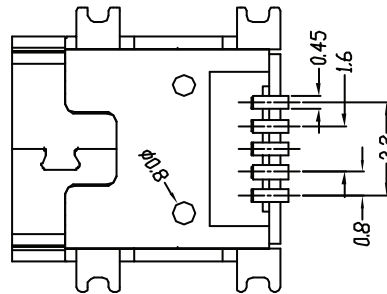
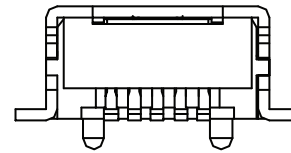
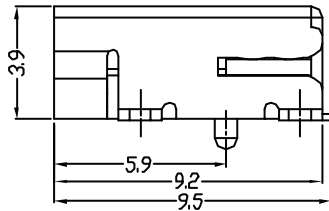
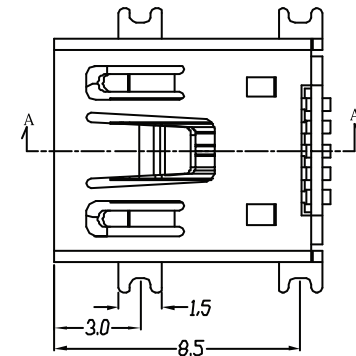
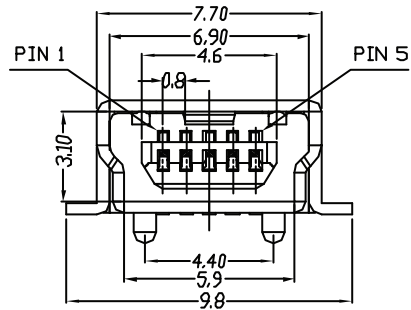


SECTION A-A



RECOMMENDED PCB PATTERN LAYOUT
(PCB THICKNESS: 0.8±0.1)

ELECTRICAL:

CURRENT RATING: 0.5A
 CONTACT RESISTANCE:
 < 30 Milliohm Max.
 INSULATION RESISTANCE:
 > 1000 Mgeaohm Min.
 DIELECTRIC WITHSTANDING VOLTAGE:
 750V (rms) AC for 1 Minute
 OPERATING TEMPERATURE: -55° C to +125° C
 CAPACITANCE: 2pF Max.

MATERIAL:

INSULATOR: Thermoplastic UL94V-0
 CONTACTS: Phosphor Bronze
 CONTACT PLATING:
 Gold Plating over Nickel on Contact Area,
 Tin/Lead Plating on Terminal
 SHELL: Phosphor Bronze
 SHELL PLATING: Tin Over Copper Alloy

HOW TO ORDER:

U 0 0 3 - 0 5 1 X - 1 0 X - Z X

CIRCUIT SIZES
 05 - 5 Position Female - Surface Mount

INSULATOR COLOR
 0 - Black
 1 - White

SHELL STYLE
 1 - With Tape on Shield (Top)
 2 - No Tape

BODY STYLE
 1 - 9.8(W) x 9.5 (L) Footprint, Type I

MOUNTING STYLE
 0 - With mounting Pegs
 4.4 between pegs

RoHS COMPLIANT

SELECTIVE CONTACT PLATING
 2 - Selective Gold
 3 - 15u" Gold
 4 - 30u" Gold

PACKAGING
 Blank - T/R
 1 - Tray
 2 - Tube

Rev	Drawn	Checked	Approved	Date
0	WHS	S.M.	S.M.	2/27/06
A	WHS	S.M.	S.M.	7/11/06

SMP TECHNOLOGY, INC.

Mini USB, 5 Position, Right Angle Female, 5 Position;
 9.8 x 9.5 Profile, Surface Mount, 4.4 Mounting Pegs

SCALE:n/a

TOL. DEC. .X +/- .XX +/- .XXX +/- ANGLE +/- UNIT: mm

P/N: U003-051X-10X-ZX

Pg: 1