

5

4

3

2

1

DRAWING NO.			
25-7010-CUST			
REVISIONS			
01	OFFICIAL RELEASE		
	08-21-09	Y U	Y U T H

Description: F-59 With Attached 1/4 Ring

Part No: 25-7010

Application: For RG59 Cable

Crimp Tool: 24-7710 or 24-8866P

Impedance: 75 Ohms

Frequency Range: 0-750 MHz

Material: Body Brass Nickel plated

Sleeve Brass Nickel plated

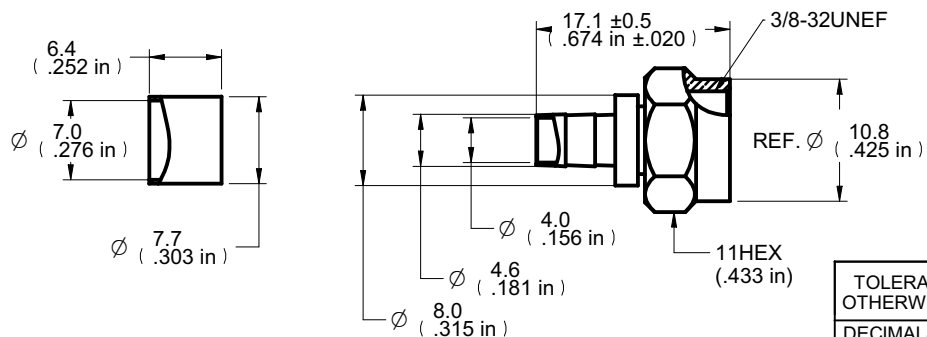
Nut Brass Nickel plated

RoHS Compliance: Yes

Technical Detail: Refer to Emerson Document P/N 25-0000



受控 CONTROLLED DOCUMENT					
编号 P/N	25-7010-CUST	版本 Rev	01	日期 Rel'd Date	SEP 14,09



**DIM OUTLINE**

**CUSTOMER COPY**

TOLERANCE UNLESS OTHERWISE SPECIFIED		DRAWN BY	DATE
DECIMALS	mm	BETTY.YU	08-21-09
X	± 0.5	CHECKED BY	DATE
X.X	± 0.3	BETTY.YU	08-21-09
X.XX	± 0.1	APPROVED BY	DATE
ANGLES	± 0.5°	THOMAS	08-21-09
		U/M	mm



TITLE  
F-59 WITH ATTACHED 1/4 RING

THIS DRAWING WAS PRODUCED BY COMPUTER, DO NOT SCALE DRAWING OR UPDATE MANUALLY.

SHEET	DRAWING NO.	SIZE
1 OF 1	25-7010-CUST	A

5

4

3

2

1