

OBSOLETE

SPECIFICATIONS:

MATERIALS:-

HOUSING : Hi-TEMP. PLASTIC (UL 94V-0). BLACK.

TERMINAL : COPPER ALLOY

(1#, 5#, t=0.20mm; 2#, 3#, 4#, 6# t=0.25mm)

FINISH:-

TERMINAL: NICKEL UNDERPLATE

TIN PLATE OVER ALL

6# GOLD PLATED OVERALL

ELECTRICAL:

CURRENT RATING : 1 AMP MAX.

DIELECTRIC WITHSTANDING VOLTAGE : 500V AC R.M.S.

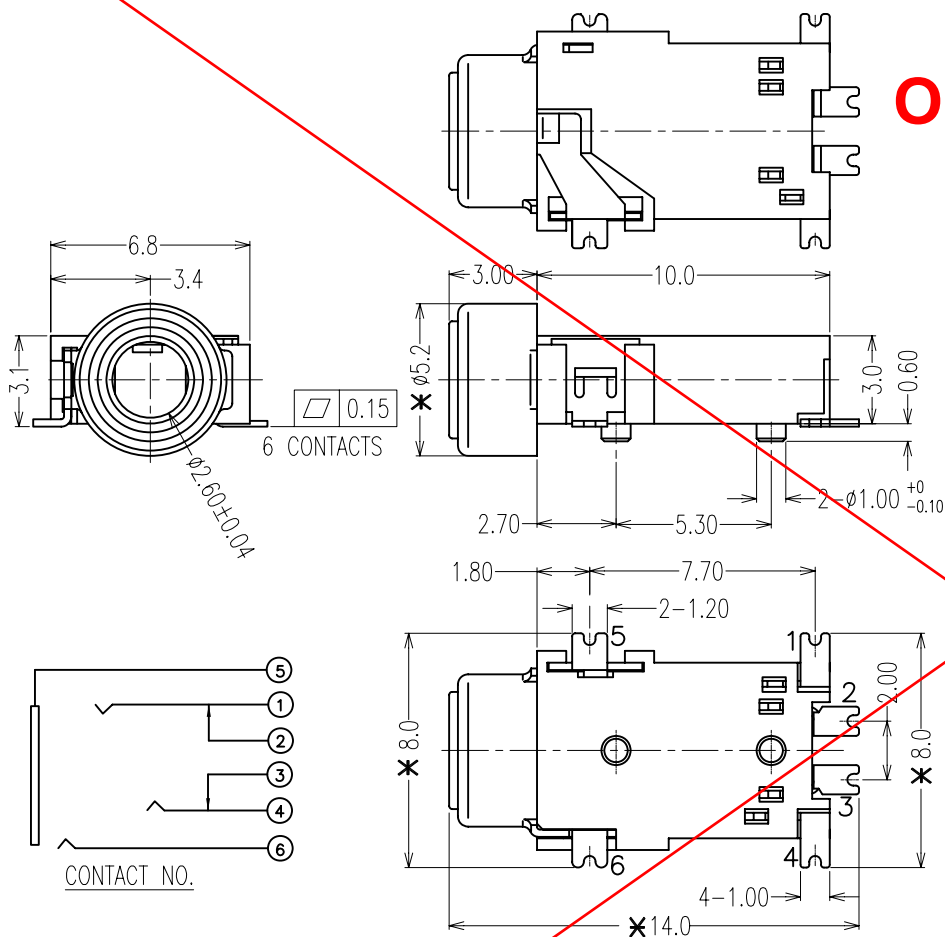
FOR ONE MINUTE

CONTACT RESISTANCE: 50 mΩ MAX.

INSULATION RESISTANCE : 1000 MΩ MIN. AT 500V DC

ENVIRONMENTAL:-

OPERATING TEMPERATURE : -25°C TO +85°C.



TOLERANCES

X.X = ± 0.38 X.XX = ± 0.25 X.XXX = ± 0.15 ANGLES = $\pm 3^\circ$

NOTES: ALL DIMENSIONS AND NOTES
MARKED * ARE CRITICAL AND
MUST BE CHECKED IN ACCORDANCE
WITH QUALITY DOC. Q1-02A

HARWIN

HARWIN USA
TEL: 603 893 5376
FAX: 603 893 5396
mis@harwin.com

HARWIN Europe (UK)
TEL: 023 9231 4545
FAX: 023 9231 4590
mis@harwin.co.uk

HARWIN Asia
TEL: +65 6 779 4909
FAX: +65 6 779 3868
mis@harwin.com.sg

THIS DRAWING AND ANY
INFORMATION OR DESCRIPTIVE
MATTER SET OUT HEREON ARE
CONFIDENTIAL AND COPYRIGHT
PROPERTY OF THE HARWIN
GROUP AND MUST NOT BE
DISCLOSED, LOANED, COPIED
OR USED FOR MANUFACTURING,
TENDERING OR FOR ANY
OTHER PURPOSE WITHOUT
THEIR WRITTEN PERMISSION.

TOLERANCES

X. = ± 1 mm
X.X = ± 0.25 mm
X.XX = ± 0.10 mm
X.XXX = ± 0.01 mm

ANGLES = $\pm 5^\circ$
UNLESS STATED

MATERIAL:

SEE NOTES

FINISH:

SEE NOTES

S/AREA:

mm²

TITLE:

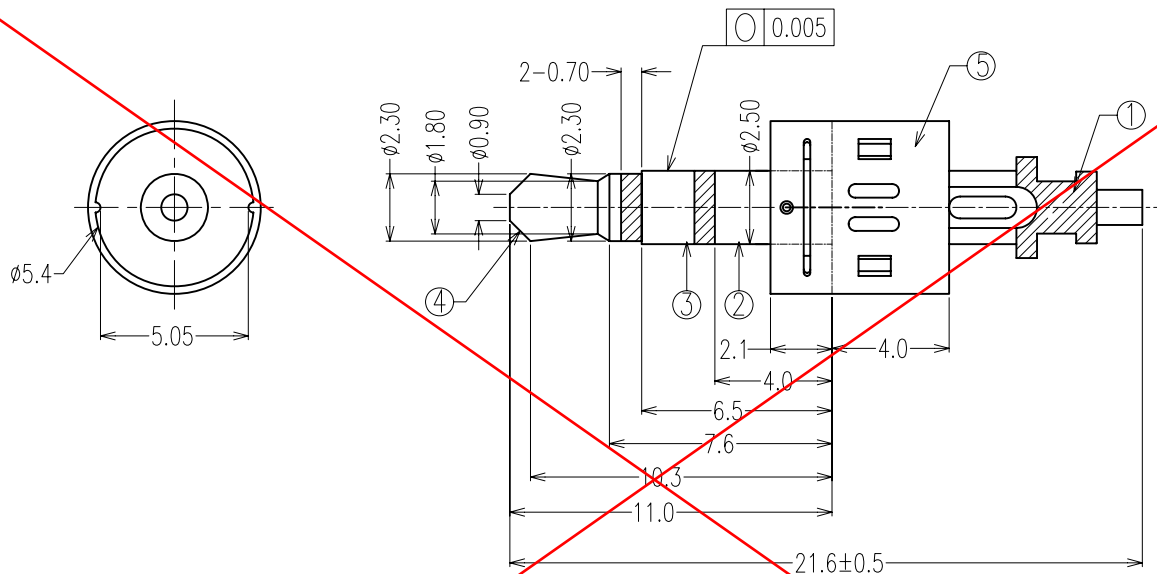
PHONE JACK SMT $\phi 2.50$

DRAWING NUMBER:

M706-5100646R

SHT
1
OF
2

Allan	1	01.08.06	-
NAME	ISS.	DATE	C/NOTE
APPROVED: <i>Beal</i>			
CHECKED:			
DRAWN: Allan			
CUSTOMER REF.:			
ASSEMBLY DRG:			

OBSOLETE

SPECIFICATIONS:

MATERIALS:-

① DIELECTRIC: BLACK

②③④⑤ TERMINAL: COPPER ALLOY

Allan	1	01.08.06	-
NAME	ISS.	DATE	C/NOTE
APPROVED: <i>Ben</i>			
CHECKED:			
DRAWN: Allan			
CUSTOMER REF.:			
ASSEMBLY DRG:			

TOLERANCES

X.X = ±0.05

X.XX = ±0.03

ANGLES = ±3°

HARWIN

HARWIN USA
TEL: 603 893 5376
FAX: 603 893 5396
mis@harwin.com

HARWIN Europe (UK)
TEL: 023 9231 4545
FAX: 023 9231 4590
mis@harwin.co.uk

HARWIN Asia
TEL: +65 6 779 4909
FAX: +65 6 779 3868
mis@harwin.com.sg

THIS DRAWING AND ANY
INFORMATION OR DESCRIPTIVE
MATTER SET OUT HEREON ARE
CONFIDENTIAL AND COPYRIGHT
PROPERTY OF THE HARWIN
GROUP AND MUST NOT BE
DISCLOSED, LOANED, COPIED
OR USED FOR MANUFACTURING,
TENDERING OR FOR ANY
OTHER PURPOSE WITHOUT
THEIR WRITTEN PERMISSION.

TOLERANCES

X. = ±1mm

X.X = ±0.25mm

X.XX = ±0.10mm

X.XXX = ±0.01mm

ANGLES = ±5°

UNLESS STATED

MATERIAL:

SEE NOTES

FINISH:

SEE NOTES

S/AREA:

mm²

TITLE:

PHONE JACK SMT 2.50

DRAWING NUMBER:

M706-5100646R

SHT
2
OF
2