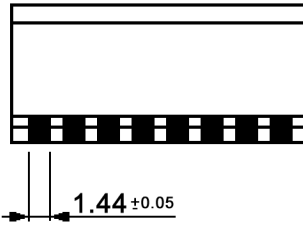
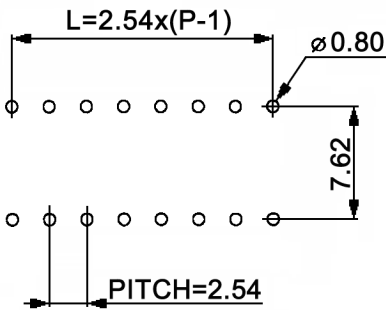
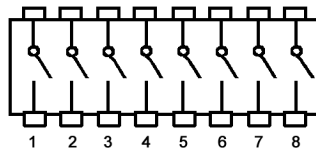


DRILLING PLAN



SCHEMATIC



Part No.	Poles	A	pcs. / tube
DBP 3001	1	3.54	148
DBP 3002	2	6.08	85
DBP 3003	3	8.62	61
DBP 3004	4	11.16	47
DBP 3005	5	13.70	38
DBP 3006	6	16.24	32
DBP 3007	7	18.78	28
DBP 3008	8	21.32	24
DBP 3009	9	23.86	22
DBP 3010	10	26.40	20
DBP 3012	12	31.48	16

Specifications:

Contact rating: switching: 25mA, 24V DC
non-switching: 100mA, 50V DC

Contact resistance: 50mOhm max.

Insulation resistance: 100MOhm min. at 500V DC

Dielectric strength: 500V, 50Hz for the duration of 1 minut

Operating temperature: -40°C to +85°C

Storage temperature: -40°C to +85°C

Mechanical life: 5 000 cycles min.

Electrical life: 2 000 cycles (25mA, 24V DC)

Soldering conditions: auto-soldering: max.: 260°C, 5sec.

Mounting: on pc-board

Slide position: off

Material: Cover: thermoplastic PBT, UL94V-0, red
Base: thermoplastic PA66, UL94V-0, black
Piano actuator: thermoplastic PA66, UL94V-0, white
Contact: copper alloy, 0.025µm gold plated
Terminal: copper alloy, tin plated



Tolerances: 0.1-1.0: ±0.05mm 1.0-5.0: ±0.10mm 5.0-10.0: ±0.20mm upper 10.0: ±0.20mm			Date	Name	<h1>DBP 30xx</h1>
			01/04	us	
Revised	02/12	dr			<h1>30 04 23</h1>
Drilling plan	11/11	dr			
More models added	10/11	dr			
Dimensions	08/09	dr			
Tolerances	03/09	dr			
Modifications	Date	Name	knitter-switch		Page 1/1