

SYNC separator IC with AFC

BA7062F

The BA7062F separates the synchronization signals from a video signal and outputs the horizontal and vertical synchronization signals (H_D and V_D), and the composite synchronization signal (Sync-out).
The H_D and V_D pulse widths are different.

●Applications
TVs and VCRs

●Features

- 1) Built-in AFC circuit.
- 2) Low power dissipation (approx. 21mW).
- 3) Low external parts count.
- 4) SOP 8-pin package.
- 5) Horizontal free-run frequency does not require adjustment.

●Absolute maximum ratings (Ta = 25°C)

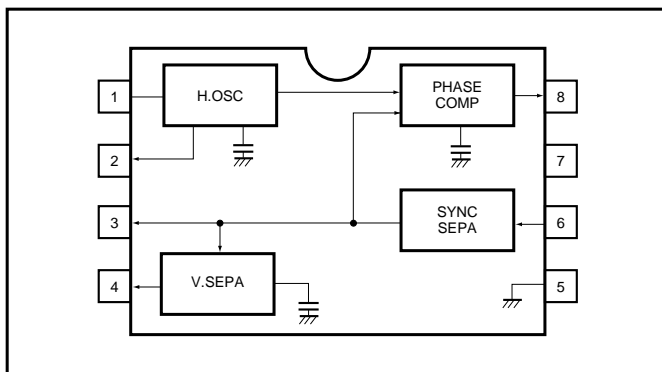
Parameter	Symbol	Limits	Unit
Power supply voltage	V _{CC Max.}	8.0	V
Power dissipation	P _d	350*	mW
Operating temperature	T _{opr}	- 20 ~ + 75	°C
Storage temperature	T _{stg}	- 55 ~ + 125	°C

* When mounted on a 50mm × 50mm PCB, reduced by 3.5mW for each increase in Ta of 1°C over 25°C.

●Recommended operating conditions (Ta = 25°C)

Parameter	Symbol	Min.	Typ.	Max.	Unit
Operating power supply voltage	V _{CC}	4.5	—	5.5	V

●Block diagram



●Pin descriptions

Pin No.	Function
1	Horizontal oscillator resistor
2	Hb output
3	SYNC output (open collector)
4	Vb output
5	GND
6	Video input
7	Power supply
8	Phase comparator output

●Input / output circuits

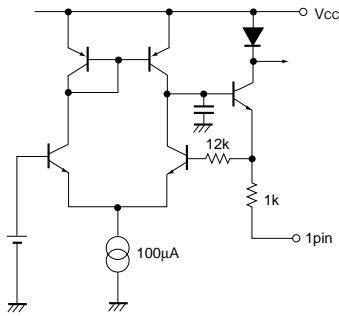


Fig. 1

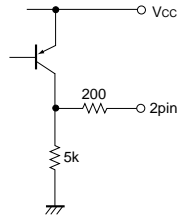


Fig. 2

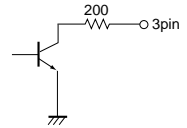


Fig. 3

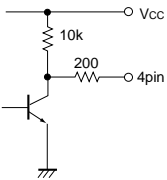


Fig. 4

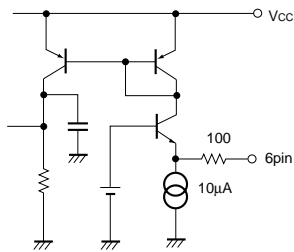


Fig. 5

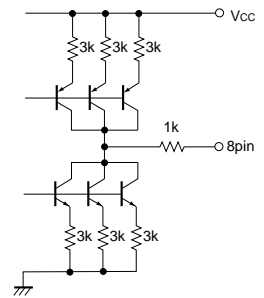


Fig. 6

●Electrical characteristics (unless otherwise noted, Ta = 25°C and Vcc = 5V)

Parameter	Symbol	Min.	Typ.	Max.	Unit	Conditions
Quiescent current	I _Q	2.0	4.1	6.2	mA	Pin 3 open
Minimum SYNC separation level	V _{syn-Min.}	—	0.08	0.15	V _{P-P}	Pin 6 terminated with 75Ω resistor
Pulse voltage, Low	V _{P-L}	—	0.1	0.3	V	2, 4 pin
Pulse voltage, High	V _{P-H}	4.7	4.9	—	V	2, 4 pin
(Horizontal) free-running frequency	f _{H-O}	13.9	15.7	17.5	kHz	No input signal, I ₁ = open
Capture range	Δf _{CAP}	± 2.1	± 2.9	—	kHz	—
Lock-in phase	T _{HPH}	- 1.0	0	+ 1.0	μs	2pin ↓ - 6pin ↓
H _D pulse width	T _{HD}	10.5	11.5	12.5	μs	2pin ↓ ↑
V _D pulse width	T _{VD}	200	260	320	μs	4pin ↓ ↑

○ Not designed for radiation resistance.

●Measurement circuit

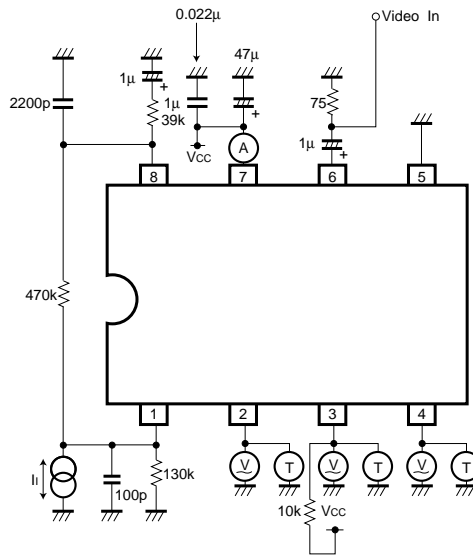


Fig. 7

●Circuit operation

(1) Synchronization separation circuit

Detects the charging current to a externally-connected capacitor, and performs synchronization separation.

(2) Horizontal oscillation circuit

When a video signal is input, it is synchronized with Hsync by the PLL. The horizontal free-running frequency is determined by external resistor R₁.

$$f_{H-O} = \frac{2.05E6}{R_1} \text{ [kHz]}$$

(3) Vertical synchronization separation circuit

When a video signal is input, synchronization signal separation is done over the vertical synchronization pulse interval.

● V_{IN} , H_D , and V_D timing charts

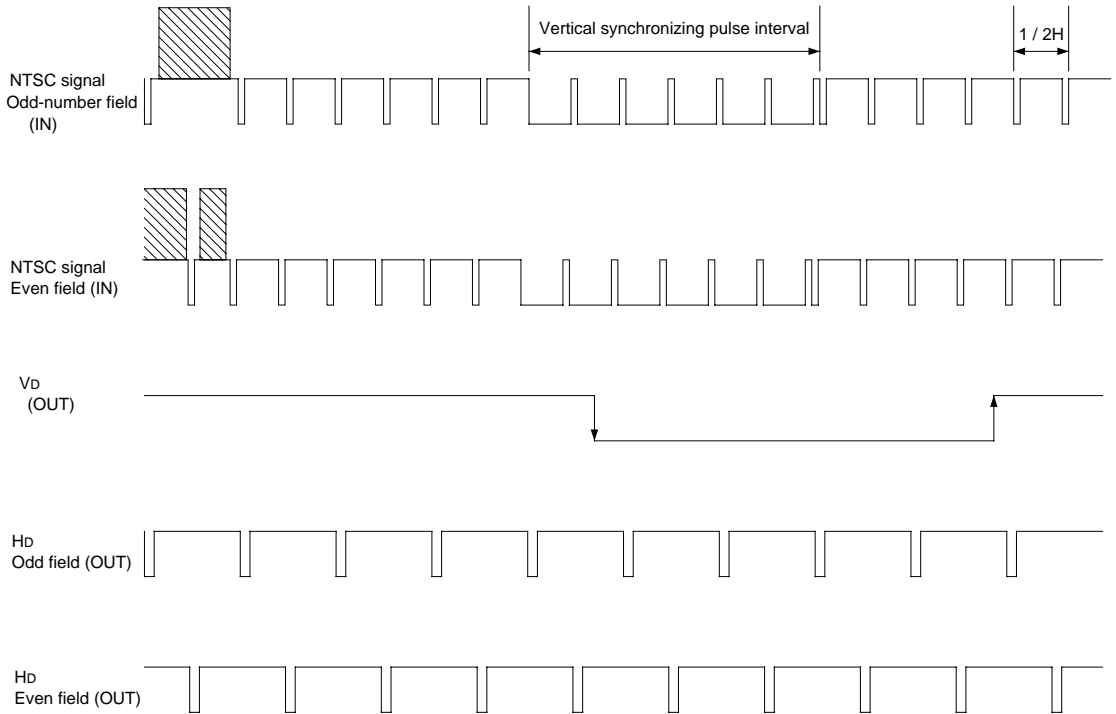
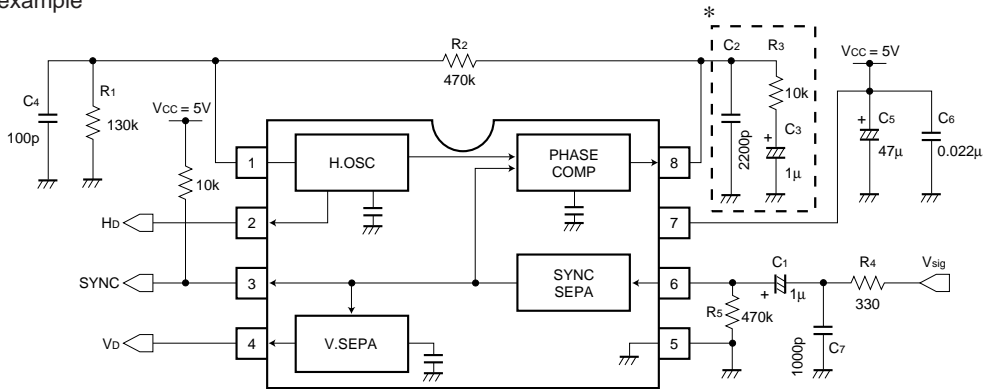


Fig. 8

- (1) The rise and fall positions for V_D are basically the same for both odd and even fields.
- (2) H_D shifts by $1/2H$ during the odd and even field interval.

●Application example



* By configuring the circuit enclosed in the dotted line to that in the diagram on the right, you can decrease the lock-in time and increase the capture range.

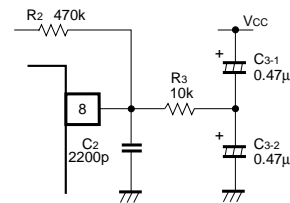


Fig. 9

• When SYNC SEPA output only is used. Hb and Vb unused.

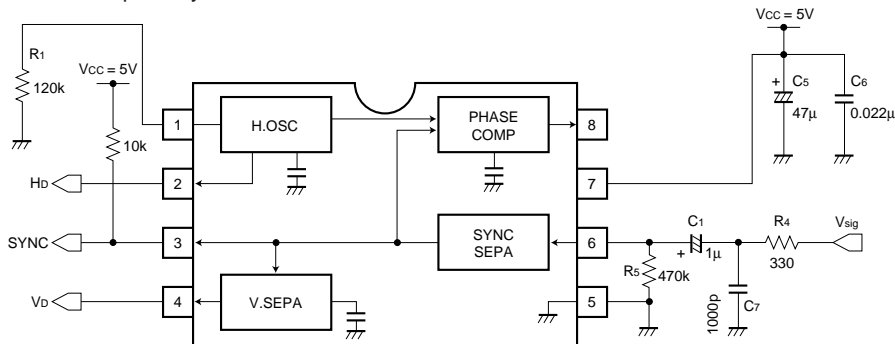


Fig. 10

- (1) Connect pin 1 to GND via a 120kΩ (approx.) resistor. Leave pins 2, 4 and 8 open.
- (2) SYNC output polarity (pin 3) is positive.
- (3) The delay time for rising edge of the SYNC output (pin 3) with respect to the falling edge of Sync for the Vsig input signal (pin 6) is 850ns (reference value).
- (4) The delay time for falling edge of the SYNC output (pin 3) with respect to the rising edge of Sync for the Vsig input signal (pin 6) is 450ns (reference value).

●Attached components

Resistor R1 should have a tolerance of ± 2%, and a temperature coefficient of 100ppm or lower.

● Electrical characteristic curves

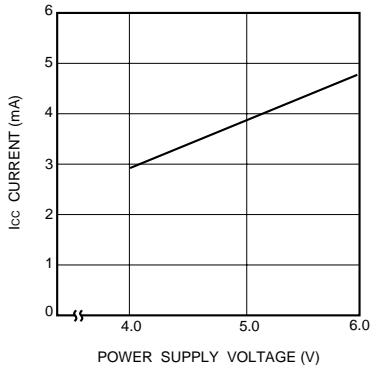


Fig. 11 Quiescent current vs. power supply voltage

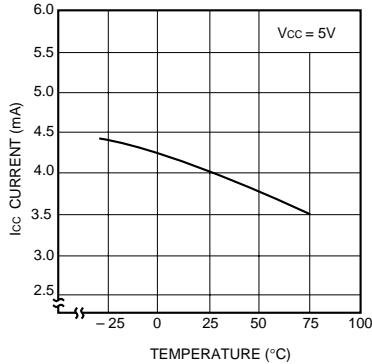


Fig. 12 Quiescent current vs. temperature

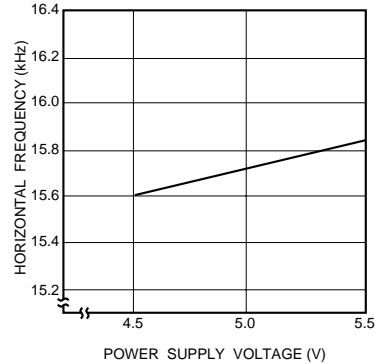


Fig. 13 Horizontal free-running frequency vs. power supply voltage

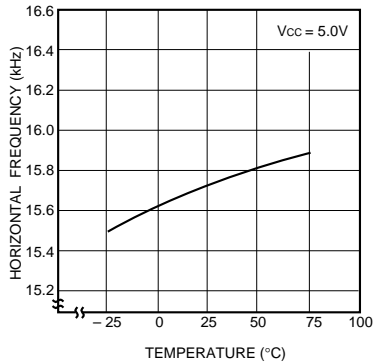


Fig. 14 Horizontal free-running frequency vs. temperature

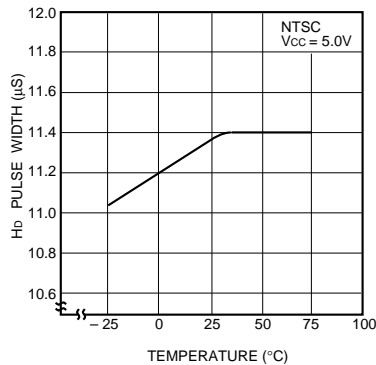


Fig. 15 H_b pulse width vs. temperature

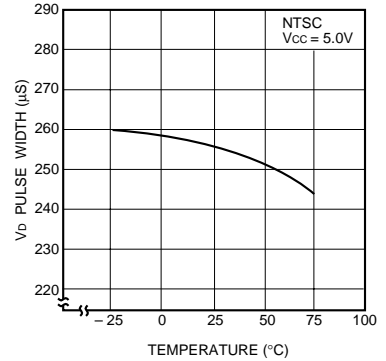


Fig. 16 V_d pulse width vs. temperature

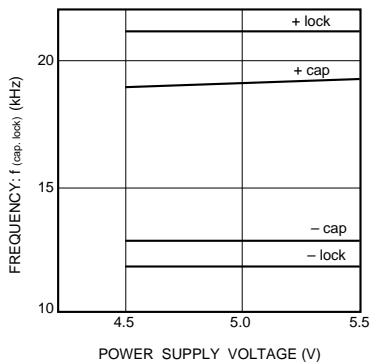


Fig. 17 Capture range / lock range vs. power supply voltage

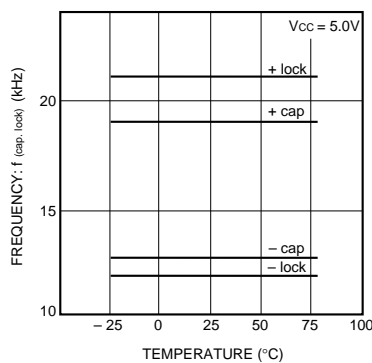


Fig. 18 Capture range / lock range vs. temperature

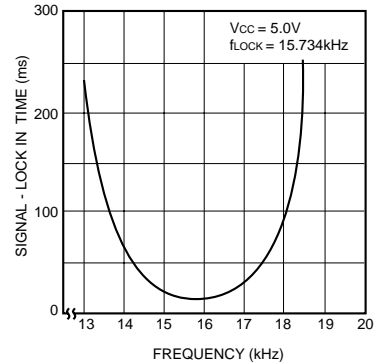


Fig. 19 Time from no signal to pull in

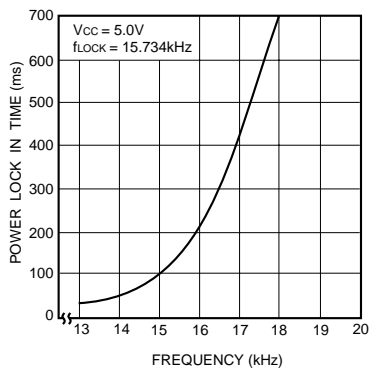


Fig. 20 Time from power on to pull in

● Operation notes

- Make the ground line as thick as possible.
- Keep power supply noise to a minimum.

● External dimensions (Units: mm)

