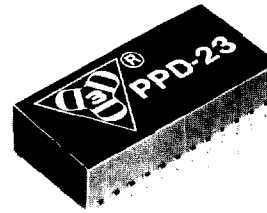


Programmable Pulse Discriminator

SERIES: PPD-23
(3 BIT) TTL Interfaced



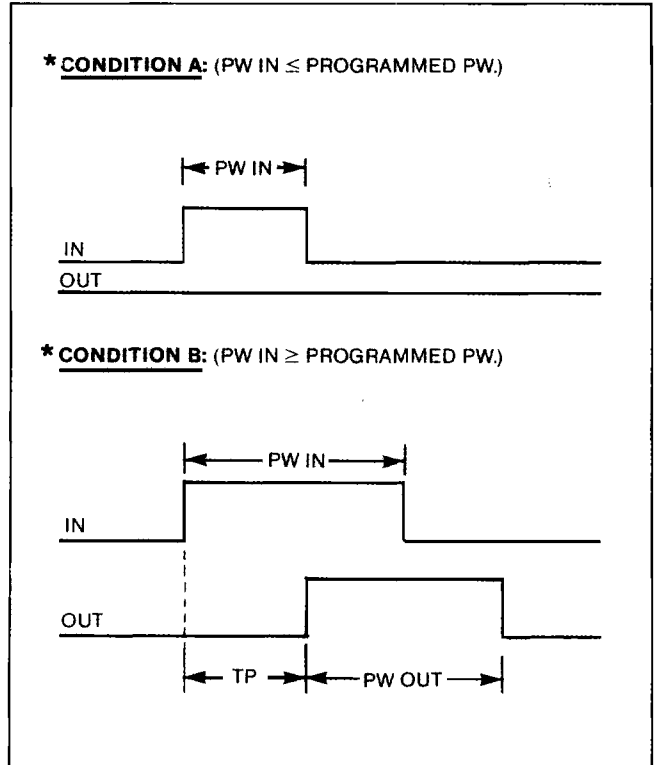
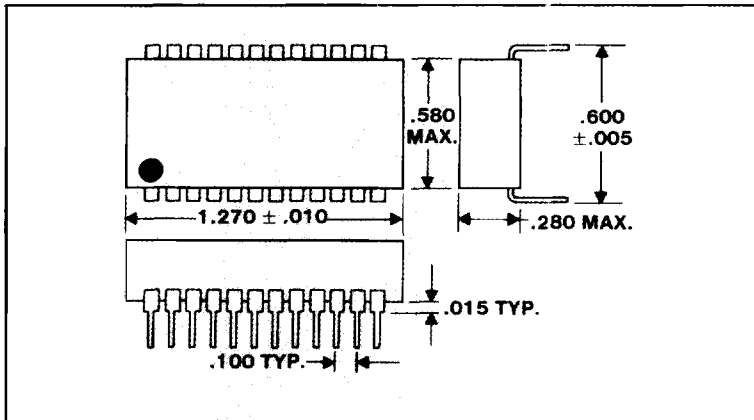
Features:

- Discriminates against precisely programmed pulse widths.
- 3-bit address.
- 24 pins DIP.
- Low profile.

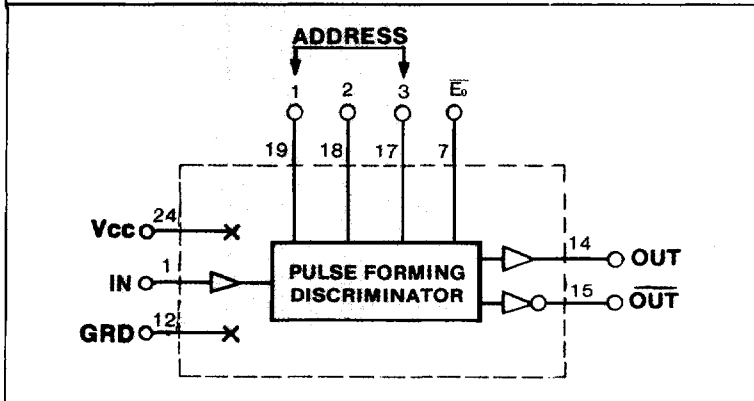
Specifications:

- Inherent pulse width (PW_0): 5 ns typ.
- Supply voltage: 5 Vdc \pm 5%.
- Operating temperatures: 0°C to 70°C.
- Temperature coefficient: 100 PPM/°C.
- Power Dissipation: 850 mw max.
- DC parameters: See TTL-Standard Schottky Logic Table on Page 6.

PW IN Input pulse width
 PW OUT Output pulse — PW IN \pm 4 ns
 TP Propagation delay — PW Programmed \pm 6 ns



*See page vi for details timing.



Part Number	Incremental Pulse Width Per Step (ns)	Total Programmed Pulse Width (ns)
PPD-23-1	1 \pm .4	7
PPD-23-2	2 \pm .4	14
PPD-23-3	3 \pm .5	21
PPD-23-5	5 \pm .6	35
PPD-23-10	10 \pm 1.0	70
PPD-23-15	15 \pm 1.3	105
PPD-23-20	20 \pm 1.5	140
PPD-23-40	40 \pm 2.0	280
PPD-23-50	50 \pm 2.5	350

Contact us for specific requirements. We customize.