

ADSL-Transformer WSL-A21.305

Specifications



Application
Generic

Features

Optimized magnetic shielding for low interference
High performance, high quality design
SMT and THT package available

Packaging

100 pcs./tray
7 trays/carton

Solderability

270 - 300°C


Isolation voltage

1650 VAC

Operation Temperature Range

-40°C to +85°C

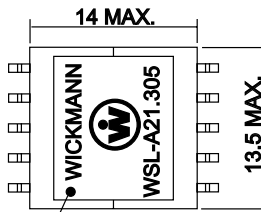
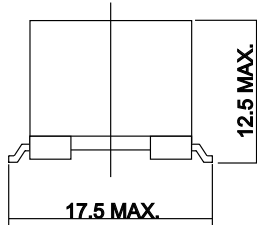
Marking

 article-no.

Unit Weight

6g

Schematics & Mechanicals (mm)



BLACK DOT IS PIN NO.1

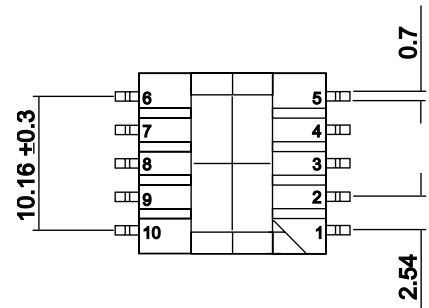
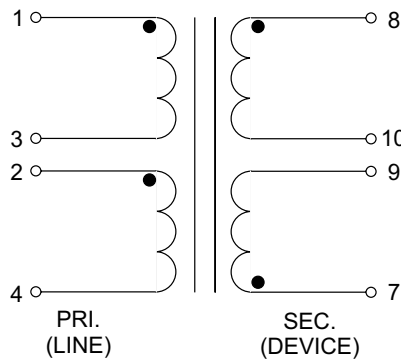
WebLinks

Data Sheet

www.wickmann.com/products/WSL_A21305.pdf

Packaging

www.wickmann.com/pack



DC Resistance:	1,09 Ω (8-10) max. ±10%
	1,47 Ω (7-9) max. ±10%
	1,28 Ω (1-3) max. ±10%
	1,25 Ω (2-4) max. ±10%
Open Circuit Inductance:	470μH ±5% @ 10kHz, 100mVAC on series, (1-4), short (2+3)
Turns Ratio:	-
Leakage Inductance:	13,0μH max. 200kHz, 100mVAC (1-4), short (2+3, 8+9, 10+7)
Total Harmonic Distortion (THD):	-

Order Information

Qty.	Order Number
	960 4 621305 9