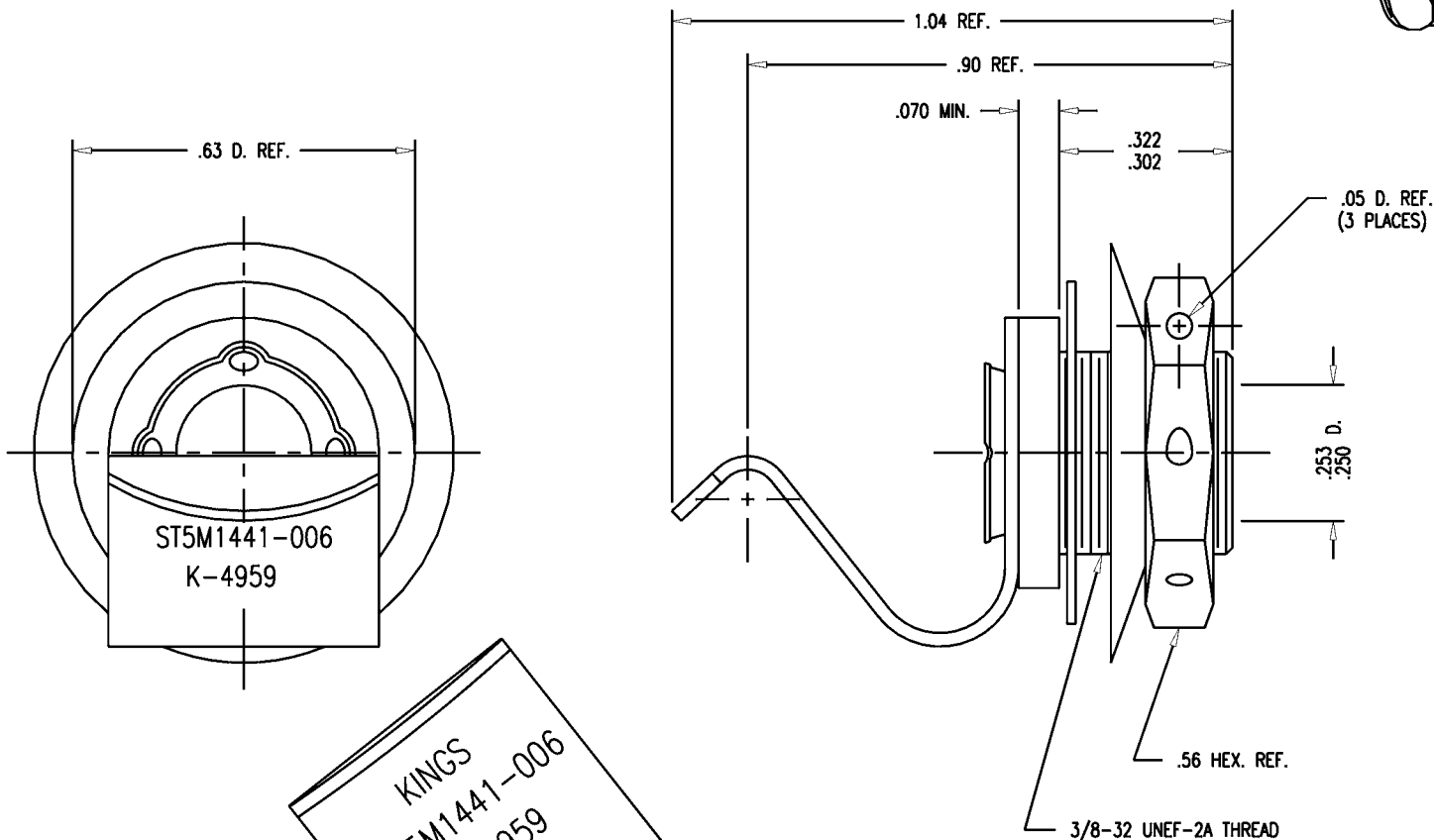


GSD

K-4959



ST5M1441-006
K-4959



NOTES:

- MATERIALS:**
 SPRING CONTACT: PHOSPHOR BRONZE, ALLOY 510
 SLEEVE: BRASS, ASTM-B16
 FLAT WASHER: ALUMINUM, ALLOY 2024-T3 PER QQ-A-225
 BELLEVILLE WASHER: CHROME-MOLYBDENUM STEEL
 HEX NUT: STAINLESS STEEL PER QQ-S-763-300 SERIES
- MARK PACKAGE:** ST5M1441-006
 KINGS K-4959
 YRWK (DATE CODE)
- FINISHES:**
 SLEEVE: CADMIUM PLATE PER QQ-P-416
 FLAT WASHER: CHROMATE COATING PER MIL-C-5541
 HEX NUT: PASSIVATE PER QQ-P-35

GSD

REVISIONS

ISSUE	CHANGES
0	ER 36091 ME 02/09/95
1	CN 39150 E TML 09/13/04
2	CN 39191 C HVN 11/09/04

K-4959S2

SCALE	4:1
APPROX SURFACE AREA	
WAS:	E-182310
USED ON	
REF:	McD. DOUGLAS ST5M1441-006 REV. M
JACK, GROUNDING	
DRAWN ME	DATE 02/
DESIGN CT	DATE 02/
APPR. JT	DATE 02/

KINGS
 ELECTRONICS CO., INC.
 ROCK HILL, SOUTH CAROLINA 29730

K-4959