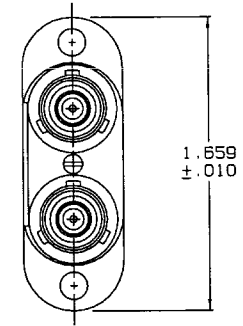
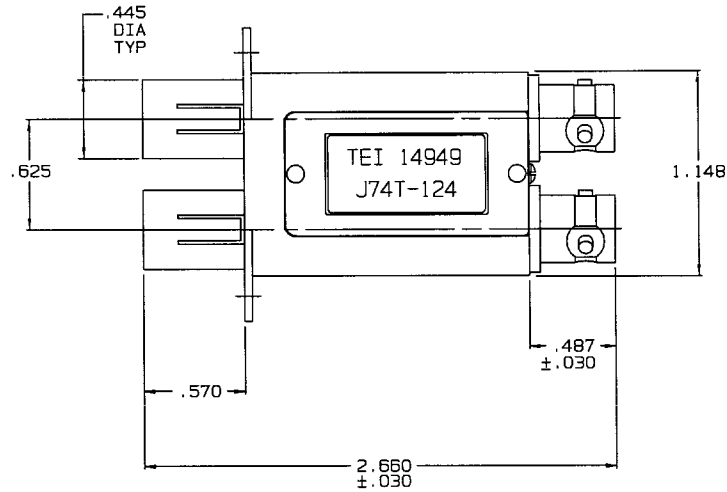
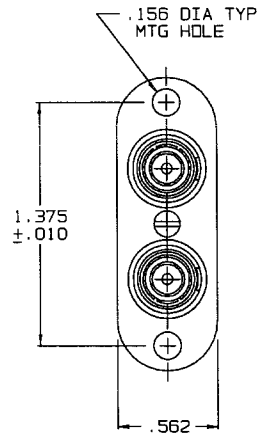


# RED INDICATES ORIGINAL

DATA CONTAINED IN THIS DOCUMENT IS PROPRIETARY TO TROMPETER ELECTRONICS, INC. AND SHALL NOT BE DISCLOSED, COPIED OR USED FOR PROCUREMENT OR MANUFACTURE WITHOUT EXPRESS WRITTEN PERMISSION.

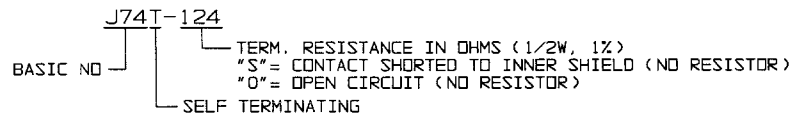
REVISIONS			305-0807	SH 1C
REV	ED	DESCRIPTION	DWN	APPROVED
0	13262	CHANGE ITEM 9 FROM: 701-0065 TO: 701-0834; SEE ECD	DKC	<i>DKC</i> 8/23/92



INCH	MM
.005	0.13
.010	0.25
.030	0.76
.156	3.96
.445	11.30
.487	12.37
.562	14.27
.570	14.48
.625	15.88
1.148	29.16
1.375	34.92
1.659	42.14
2.660	67.56

J74T-124 SHOWN

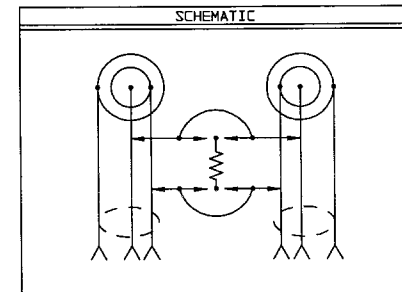
4. EXAMPLE OF COMPLETE MODEL NO:



3. DUAL TWINAX/TRIAX SELF NORMALLING, SELF TERMINATING PATCH JACK WITH TRB INPUT RECEPTACLES

2. FINISH: TFS-1A (NICKEL)

1. ALL DIM ARE IN INCHES



QTY	DESCRIPTION		PART NUMBER	ITEM
TOL UNLESS SPECIFIED		<b>TROMPETER ELECTRONICS, INC.</b>	J74T-R	
.XX ±	.XXX ± .005			
CHK	DKC	8-21-00	MATERIAL	CODE IDENT
		5/2/92	14949	305-0807
ENGR				D
NEXT ASSY	APPR	DATE	SCALE 2/1	DATE 3-26-92
				SHEET 1C