

FEATURES

- Differential D and Q
- Extended 100E VEE range of -4.2V to -5.5V
- VBB output for single-ended use
- 600ps max. propagation delay
- High frequency outputs
- 2 stages of gain
- Internal 75KΩ input pull-down resistors
- ESD protection of 2000V
- Fully compatible with Motorola 10E/100E416
- Available in 28-pin PLCC package

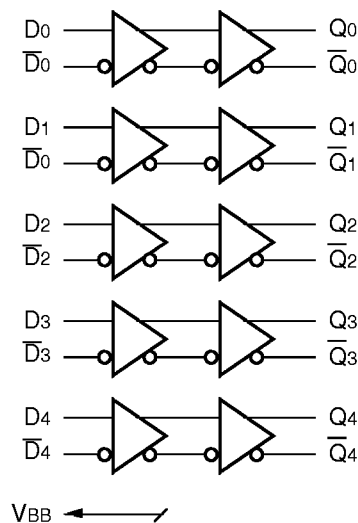
DESCRIPTION

The SY10/100E416 are 5-bit differential line receiving devices. The 2.0GHz of bandwidth provided by the high frequency outputs make the devices ideal for buffering of very high speed oscillators.

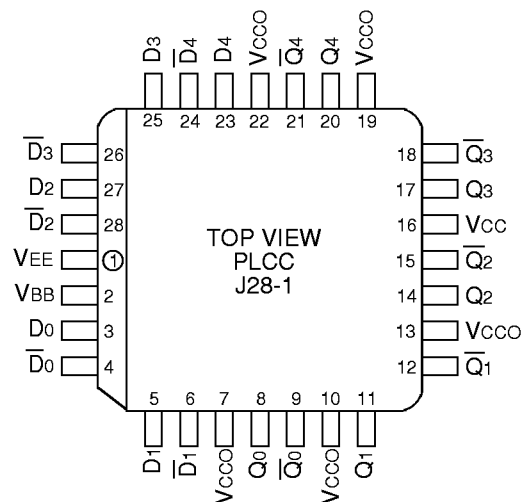
A VBB pin is available to AC couple an input signal to the devices.

The design incorporates two stages of gain internal to the devices, making them an excellent choice for use in high bandwidth amplifier applications.

BLOCK DIAGRAM



PIN CONFIGURATION



PIN NAMES

Pin	Function
D[0:4], \bar{D} [0:4]	Differential Data Inputs
Q[0:4], \bar{Q} [0:4]	Differential Data Outputs
VCCO	Vcc to Output

DC ELECTRICAL CHARACTERISTICS

$V_{EE} = V_{EE} (\text{Min.})$ to $V_{EE} (\text{Max.})$; $V_{CC} = V_{CCO} = \text{GND}$

Symbol	Parameter	$T_A = 0^\circ\text{C}$			$T_A = +25^\circ\text{C}$			$T_A = +85^\circ\text{C}$			Unit	Condition
		Min.	Typ.	Max.	Min.	Typ.	Max.	Min.	Typ.	Max.		
V _{BB}	Output Reference Voltage										V	—
	10E	-1.38	—	-1.27	-1.35	—	-1.25	-1.31	—	-1.19		
	100E	-1.38	—	-1.26	-1.38	—	-1.26	-1.38	—	-1.26		
I _{IH}	Input HIGH Current	—	—	150	—	—	150	—	—	150	μA	—
I _{EE}	Power Supply Current										mA	—
	10E	—	135	162	—	135	162	—	135	162		
	100E	—	135	162	—	135	162	—	155	186		
V _{PP} (DC)	Input Sensitivity	50	—	—	50	—	—	50	—	—	mV	1
V _{CMR}	Common Mode Range	-1.5	—	0	-1.5	—	0	-1.5	—	0	V	2

NOTES:

- Differential input voltage required to obtain a full ECL swing on the outputs.
- V_{CMR} is referenced to the most positive side of the differential input signal. Normal operation is obtained when the input signals are within the V_{CMR} range and the input swing is greater than V_{PP} (min.) and <1V.

AC ELECTRICAL CHARACTERISTICS

$V_{EE} = V_{EE} (\text{Min.})$ to $V_{EE} (\text{Max.})$; $V_{CC} = V_{CCO} = \text{GND}$

Symbol	Parameter	$T_A = 0^\circ\text{C}$			$T_A = +25^\circ\text{C}$			$T_A = +85^\circ\text{C}$			Unit	Condition
		Min.	Typ.	Max.	Min.	Typ.	Max.	Min.	Typ.	Max.		
t _{PLH} t _{PHL}	Propagation Delay to Output D (Diff) D (SE)	250 200	350 350	500 550	250 200	350 350	500 550	250 200	350 350	500 550	ps	—
t _{skew}	Within-Device Skew	—	50	—	—	50	—	—	50	—		
t _{skew}	Duty Cycle Skew, t _{PLH} –t _{PHL}	±10			±10			±10			ps	2
V _{PP} (AC)	Minimum Input Swing	150	—	—	150	—	—	150	—	—	mV	3
t _r t _f	Rise/Fall Time 20–80%	100	200	350	100	200	350	100	200	350	ps	—

NOTES:

- Within-device skew is defined as identical transitions on similar paths through a device.
- Duty cycle skew defined only for differential operation when the delays are measured from the cross point of the inputs to the cross point of the outputs.
- Minimum input swing for which AC parameters are guaranteed.

PRODUCT ORDERING CODE

Ordering Code	Package Type	Operating Range
SY10E416JC	J28-1	Commercial
SY10E416JCTR	J28-1	Commercial
SY100E416JC	J28-1	Commercial
SY100E416JCTR	J28-1	Commercial

28 LEAD PLASTIC LEADED CHIP CARRIER (J28-1)

FILE/REV #: PD0008A03

PD/0008/ASCORP

PAGE 1 OF 1

