

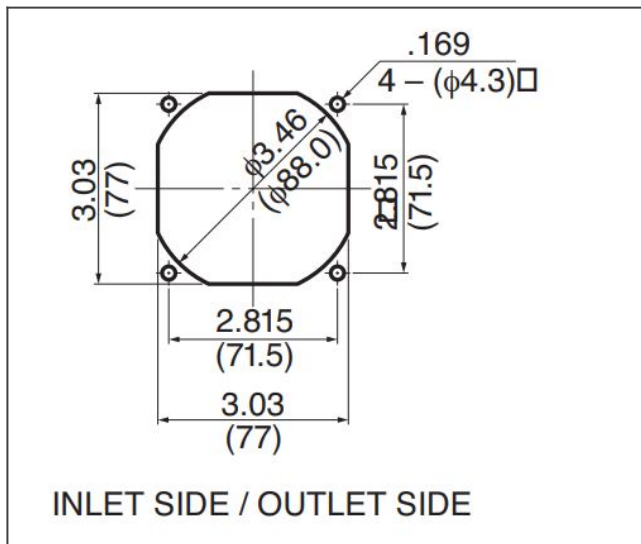
General Specifications

Motor Structure: Shaded Pole Induction Motor
 Motor Protection: Impedance Protection
 Insulation Resistance: 10M Ohm or over with DC500V Megger
 Dielectric Withstand Voltage: AC 700V 1s
 Allowable Ambient Temperature Range:
 -10 degree C ~ +70 degree C (Operating)
 -40 degree C ~ +70degree C (Storage)
 (non-condensing environment)

order part 08038FB-B3L-EA-00_60Hz Ball Bearing Fan AC Axial Fans



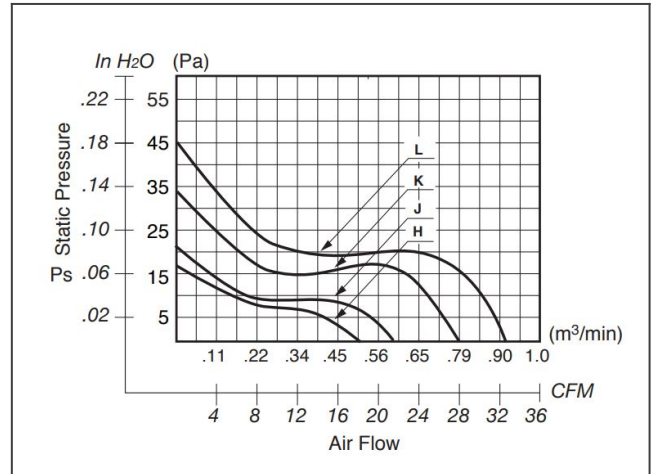
08038FB panel cut out



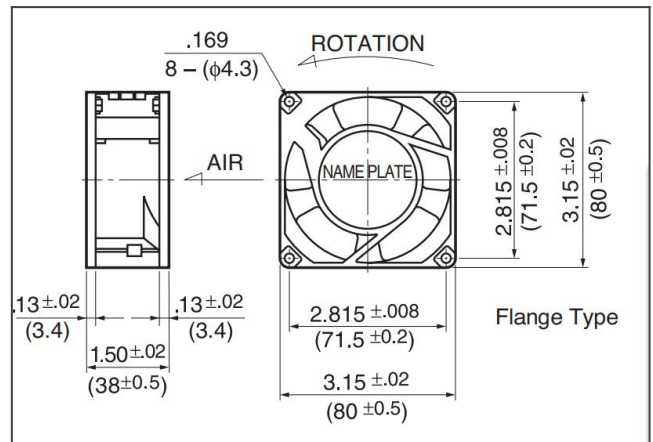
Material

Casing: Aluminum Black Painting
 Impeller: Plastic (Black) UL94V-0
 Lead Wire or Terminal: UL3266, AWG22 / Faston #110 or equivalent

08038FB characteristics curve



08038FB product drawing



AC Axial Fans

Detailed Specifications

Expected Life:	*Failure rate 10% 25deg.C 50,000 hours
Nominal Voltage:	230[V]
Frequency:	60[Hz]
Starting Voltage:	175[V]
AC Fans:	Ball Bearing Fan
Current:	0.07[A]
Input Power (+10% - 20%):	8[V]
Speed:	3250[min^{-1}]
Max. Air Flow:	0.93[m ³ /min]
Max. Air Flow:	33[CFM]
Max. Static Pressure:	45[Pa]
Max. Static Pressure:	0.18[In H ₂ O]
Noise:	44[dB]
Fan Size:	80[mm]
Fan Width:	38[mm]
Mass:	340[g]