

ENGINEERING DATA SHEET

SO-1061-8916

RELAY SOCKET
25 AMP



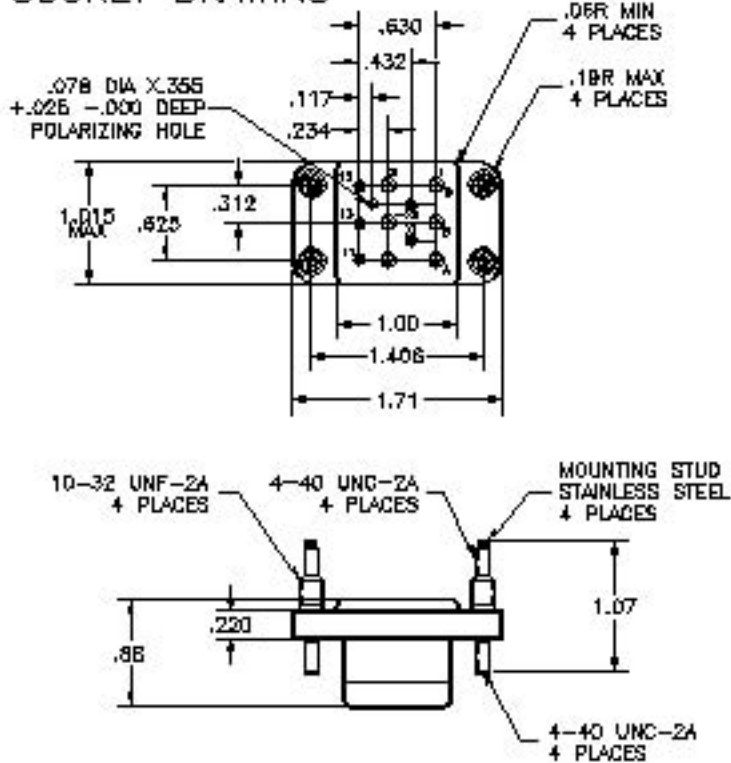
BASIC SOCKET SERIES DESIGNATION FOR:

Series KDA

MEETS THE REQUIREMENTS OF:

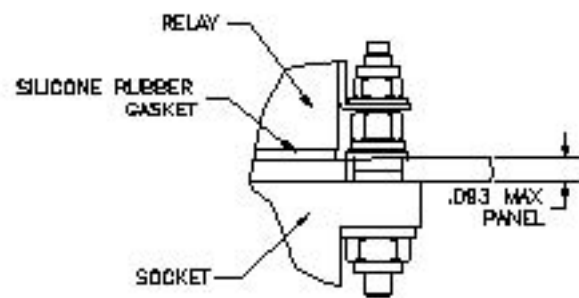
MIL-DTL-12883

SOCKET DRAWING

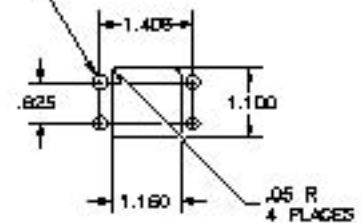


HARDWARE MOUNTING

MOUNTING DETAIL 4 PLACES



BOTTOM MOUNT-CLEARANCE HOLE FOR .192 SCREW
TOP MOUNT-CLEARANCE HOLE FOR .112 SCREW



MOUNTING DIMENSIONS FOR TYPE "E" MOUNT
SUGGESTED MOUNTING HOLE LAYOUT

GENERAL CHARACTERISTICS

1. Supplied with mounting hardware and No. 12 contacts, No. 12 crimp for power terminals; No. 16 contacts, No. 16 crimp for coil and auxiliary terminals.

2. Standard tolerances

.xx ±.01; xxx ±.005

3. Weight

.122 lb. max

4. Temperature range

-70° C to +125° C



Featuring **LEACH**® power and control solutions
www.esterline.com

AMERICAS
6900 Orangethorpe Ave.
P.O. Box 5032
Buena Park, CA 90622

Tel: (01) 714-736-7599
Fax: (01) 714-670-1145

EUROPE
2 Rue Goethe
57430 Sarralbe
France

Tel: (33) 3 87 97 31 01
Fax: (33) 3 87 97 96 86

ASIA
Units 602-603 6/F Lakeside 1
No.8 Science Park West Avenue
Phase Two, Hong Kong Science Park
Pak Shek Kok, Tai Po, N.T.
Hong Kong
Tel: (852) 2 191 3830
Fax: (852) 2 389 5803

Data sheets are for initial product selection and comparison. Contact Esterline Power Systems prior to choosing a component.