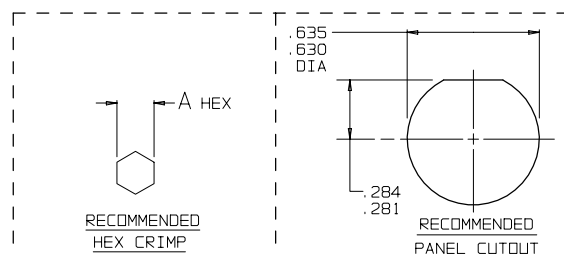
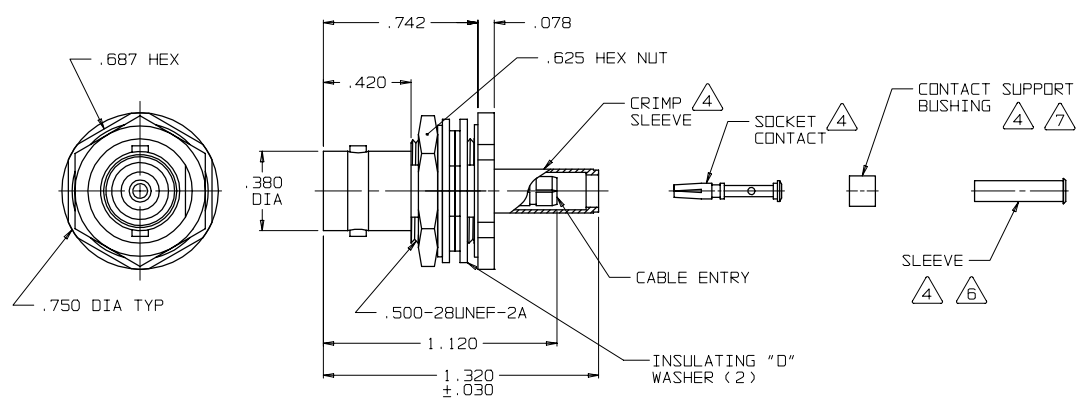


DASH NO	CABLES ACCOMMODATED	A HEX	ASSEMBLE PER	
-003	RG-174, 316	.178	TAI-203-1	
-004	RG-179, 187			
-005	NORTHERN ELECTRIC DBL-SHLD RG-187	.197		
-006	GC875GPI, GRUMMAN DBL-SHLD RG-188			
-007	275-3991, MICRODDT	.178		
-008	RG-195, -180 421-111, ESSEX			
-009	8218, BELDEN 21-597, ESSEX YR23023 BELDEN			
-011	RG-58; RG-141; RG-303	.213		
-013	RG-59	.255		TAI-203-2
-013A	TCC-75-2			
-013B	RG-62			
-014	8212, BELDEN	.290		TAI-203-1
-015	730A, AT&T			
-015A	RG-71	.324		TAI-203-2
-016	724, AT&T 8281, BELDEN			
-017	RG-6	.344		TAI-203-1
-018	9268, BELDEN			
-019	8279, BELDEN			
-020	9248, BELDEN	.290		TAI-203-2
-022	88241, 88269, BELDEN			
-023	89108, BELDEN	.255		TAI-203-1
-024	89120, BELDEN			
-025	734A, AT&T			
-026	735A, AT&T	.178		TAI-203-1
-027	KS19224L2, AT&T			

DWG SIZE B
 DATA CONTAINED IN THIS DOCUMENT IS PROPRIETARY TO TROMPETER ELECTRONICS, INC. AND SHALL NOT BE DISCLOSED, COPIED OR USED FOR PROCUREMENT OR MANUFACTURE WITHOUT EXPRESS WRITTEN PERMISSION.

REVISIONS			105-1547		SH 1
REV	EO	DESCRIPTION	DWN	APPROVED	DATE
A	11343	ITEM 35 WAS P/N BNC-500 (DELBERT BLINN; SEE ECD	DKC		



6. SLEEVE REQUIRED ON -003 THRU -007 & -027 ONLY

5. MAXIMUM PANEL THICKNESS: .200

4. CRIMP SLEEVE, SOCKET CONTACT, SLEEVE AND CONTACT SUPPORT BUSHING ARE SUPPLIED LOOSE

3. RF COAXIAL 75 OHM BNC FULL CRIMP BULKHEAD MOUNT RECEPTACLE, WITH STANDARD STRIPPING DIMENSIONS

2. FINISH: TFS-1A, (NICKEL)

1. ALL DIM ARE IN INCHES

9. CABLE GROUP: SEE TABLE

8. THIS PART MAY BE SUPPLIED AS A KIT OF TWO COMPLETE ASSEMBLIES WITHIN A SINGLE BAG AS PART NUMBER 105-1547-9/2

7. CONTACT SUPPORT BUSHING REQUIRED ON -013B, -015A & -022 ONLY

QTY	DESCRIPTION	PART NUMBER	ITEM
TOL UNLESS SPECIFIED .XX ± .XXX ± .005 .XXXX ± ANGLES ±	TROMPETER ELECTRONICS, INC.		UBJ220 SPECIAL
DWN	DKC 9-13-95	MATERIAL	CODE IDENT
CHK			14949
ENGR			DRAWING NO. 105-1547
NEXT ASSY	APPR	SCALE 2/1	DATE 4-8-94 SHEET 1 OF 2