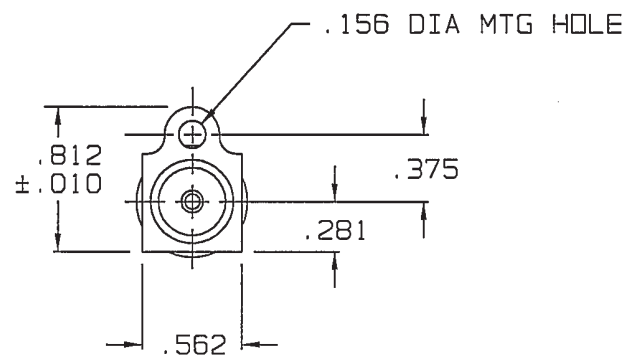
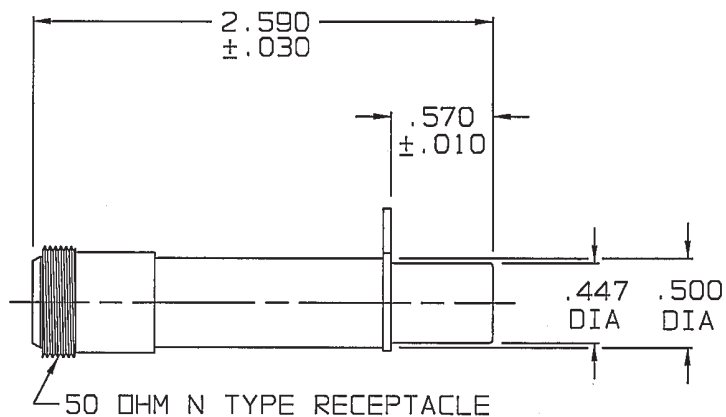


DATA CONTAINED IN THIS DOCUMENT IS PROPRIETARY TO TROMPETER ELECTRONICS INC. AND SHALL NOT BE DISCLOSED, COPIED OR USED FOR PROCUREMENT OR MANUFACTURE WITHOUT EXPRESS WRITTEN PERMISSION OF TROMPETER ELECTRONICS INC.

REVISIONS		1-0117	SH 1
REV	DESCRIPTION	DATE	APPROVED
M	REVISED PER ECO 15885	6/16/05	BS

DASH NO	MODEL	APPLICATION	
		IMPD/2	PIN SIZE
-1	J9	50 OHM	.070 (RCA)
-W1	J9W	75 OHM	.090 (W.E.CO.)

RED INDICATES ORIGINAL



2

50 & 75 OHM COAXIAL PATCH JACK WITH 50 OHM N TYPE RECEPTACLE (FOR 75 OHM "N" TYPE RECEPTACLE, SEE UJ9/UJ9W).

1. FINISH: TFS-1A (NICKEL)

INTERPRET DRAWING PER MIL-STD-100 DIMENSIONS ARE IN INCHES AND INCLUDE FINISH THICKNESS UNLESS OTHERWISE SPECIFIED		TOL: UNLESS SPECIFIED .XX .XXX ±.003 .XXXX ±.0010 ANGLES±0°30'			
DRAWN AAH	DATE 6-6-05	MATERIAL:	TITLE: J9/J9W		
CHECKED T.D.M.	DATE 6-6-05	FINISH:	SIZE CAGE CODE A 14949	DRAWING NO. 1-0117	REV. M
QUALITY MS	DATE 6/7/05			SCALE 1/1	DATE: 3-16-87
MANIF. JK	DATE 6/7/05	DO NOT SCALE DWG			
APPROVED BS	DATE 6/15/05				
NEXT ASSY	CAD FILE NO. 1-0117M				