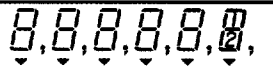

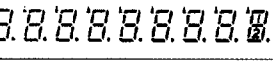
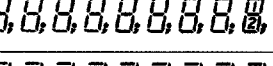
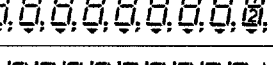
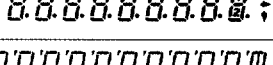
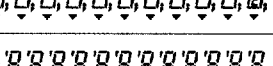
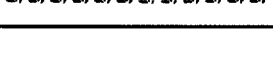
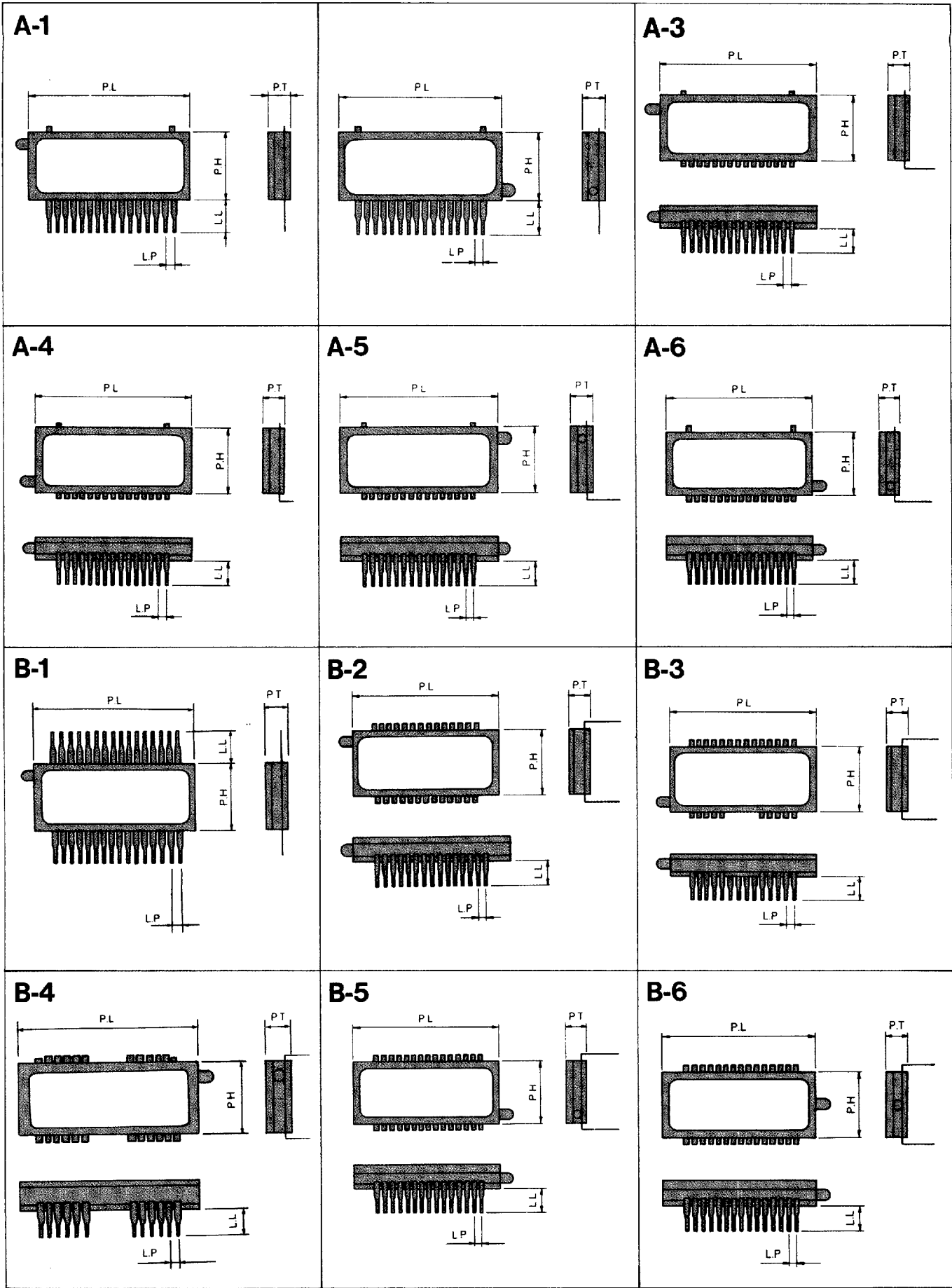


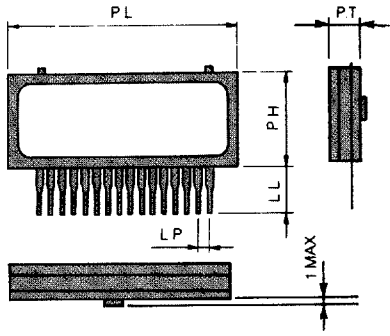
Table 4 For ECR and Others

| Type No.  | No. of Digits (Digits × lines) | Character Format, Symbol  |          |          |          |           |          |          |          |     | Fig. No. |
|-----------|--------------------------------|---|----------|----------|----------|-----------|----------|----------|----------|-----|----------|
|           |                                |   | C.H (mm) | C.W (mm) | P.H (mm) | P.L (mm)  | P.T (mm) | L.P (mm) | L.L (mm) |     |          |
| FIP6A13C  | 6                              |    | 13.0     | 6.5      | 39.0±1.0 | 108.0±1.0 | 8.0±0.7  | 2.54     | 10.0     | A-2 |          |
| FIP8B11C  | 8                              |    | 10.5     | 5.0      | 33.0±1.0 | 98.0±1.0  | 8.0±0.7  | 2.54     | 10.0     | C-2 |          |
| FIP9H8    | 9                              |    | 7.6      | 4.0      | 23.0±1.0 | 93.0±1.0  | 6.5±0.7  | 2.54     | 38.0     | C-1 |          |
| FIP9B10D  | 9                              |    | 10.0     | 4.8      | 31.0±1.0 | 112.0±1.0 | 8.0±0.7  | 2.54     | 11.0     | C-1 |          |
| FIP9G13A  | 9                              |   | 12.5     | 6.2      | 33.0±1.0 | 125.0±1.0 | 8.0±0.7  | 2.54     | 14.0     | C-2 |          |
| FIP11F10  | 11                             |  | 9.6      | 4.2      | 24.5±1.0 | 113.0±1.0 | 7.5±0.7  | 2.54     | 16.0     | A-1 |          |
| FIP11B13B | 11                             |  | 18.0     | 6.0      | 33.0±1.0 | 147.0±1.0 | 8.0±0.7  | 2.54     | 7.4      | D-3 |          |
| FIP13Y8A  | 13                             |  | 8.0      | 3.3      | 20.5±1.0 | 112.0±1.0 | 6.1±0.5  | 2.54     | 36.0     | A-2 |          |

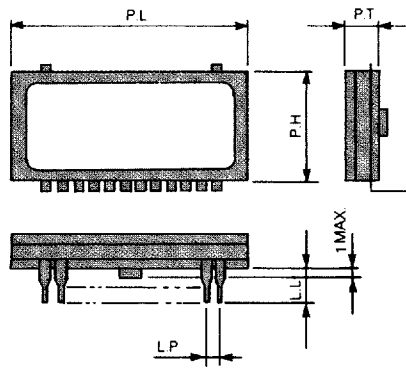
|              |              |                |              |   |      |          |             |             |                      |       | Note |
|--------------|--------------|----------------|--------------|---|------|----------|-------------|-------------|----------------------|-------|------|
| Mode of Fil. | Ef (Vr.m.s.) | If (mA.r.m.s.) | Mode of Ope. | $e_b = e_c$<br>$(V_{p-p})$<br>$*E_b = E_c$<br>(Vdc) | Duty | Ek (Vdc) | ib/dig (mA) | ic/dig (mA) | (cd/m <sup>2</sup> ) | (fL)  |      |
| AC           | 3.5          | 126            | dynamic      | 35  | 1/16 | 7        | 6.0         | 10.0        | 690                  | (200) |      |
| AC           | 3.6          | 108            | dynamic      | 47  | 1/32 | 6        | 6.0         | 8.0         | 620                  | (180) |      |
| AC           | 3.2          | 75             | dynamic      | 25  | 1/14 | 5        | 6.0         | 7.0         | 1000                 | (292) |      |
| AC           | 3.5          | 75             | dynamic      | 30  | 1/16 | 6        | 3.2         | 4.5         | 580                  | (170) |      |
| AC           | 3.9          | 140            | dynamic      | 29  | 1/16 | 5        | 7.5         | 7.5         | 690                  | (200) |      |
| AC           | 4.8          | 78             | dynamic      | 25  | 1/15 | 9.5      | 4.0         | 4.0         | 690                  | (200) |      |
| AC           | 5.5          | 78             | dynamic      | 35  | 1/19 | 7        | 5.5         | 6.5         | 900                  | (263) |      |
| AC           | 4.2          | 55             | dynamic      | 26  | 1/16 | 4        | 3.0         | 3.0         | 700                  | (200) |      |



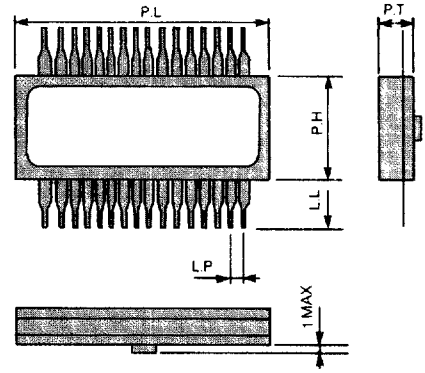
**C-1**



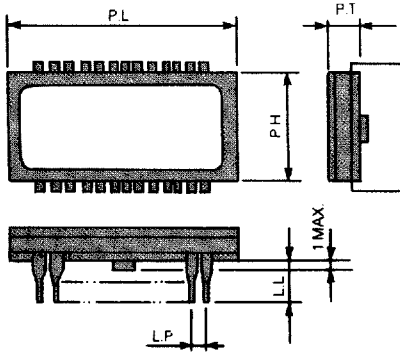
**C-2**



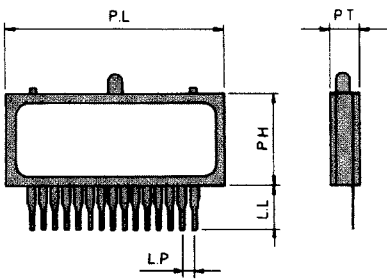
**C-3**



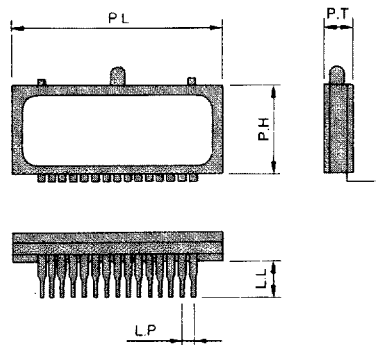
**C-4**



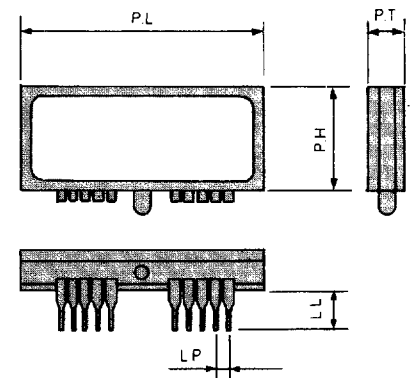
**D-1**



**D-2**



**D-3**



**D-4**

