



coil connection module connection from top, screw terminal, for contactors 3RT2.2, 3RT2.3, and 3RT2.4

product brand name	SIRIUS
product designation	Coil connection module
Substance Prohibitance (Date)	10/01/2009
Environmental footprint	
Environmental Product Declaration(EPD)	Yes
Global Warming Potential [CO2 eq] total	7.04 kg
Global Warming Potential [CO2 eq] during manufacturing	0.089 kg
Global Warming Potential [CO2 eq] during operation	6.96 kg
Global Warming Potential [CO2 eq] after end of life	-0.0061 kg
Connections/ Terminals	
type of electrical connection	screw-type terminals
Approvals Certificates	
General Product Approval	



[Confirmation](#)



EMV	Test Certificates	Marine / Shipping			
	Type Test Certificates/Test Report	Special Test Certificates			
Marine / Shipping	other	Environment			
		Miscellaneous	Confirmation	EPD Typ II/III (with life cycle assessment)	

Further information

Information on the packaging
<https://support.industry.siemens.com/cs/ww/en/view/109813875>
 Information- and Downloadcenter (Catalogs, Brochures,...)
<https://www.siemens.com/ic10>
 Industry Mall (Online ordering system)
<https://mall.industry.siemens.com/mall/en/en/Catalog/product?mlfb=3RT2926-4RA11>
 Cax online generator

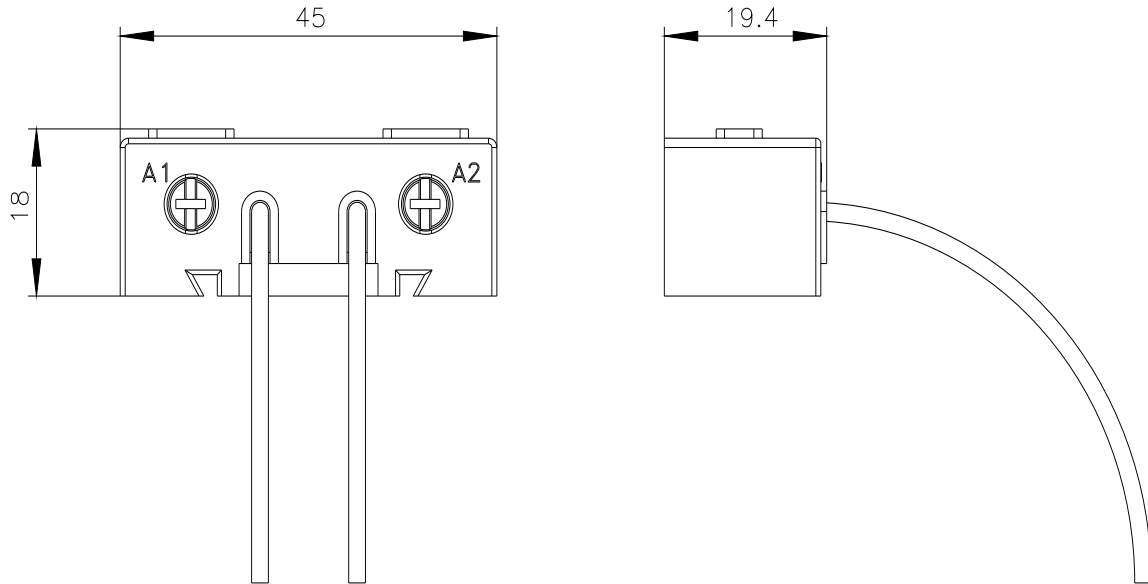
<http://support.automation.siemens.com/WW/CAXorder/default.aspx?lang=en&mlfb=3RT2926-4RA11>

Service&Support (Manuals, Certificates, Characteristics, FAQs,...)

<https://support.industry.siemens.com/cs/ww/en/ps/3RT2926-4RA11>

Image database (product images, 2D dimension drawings, 3D models, device circuit diagrams, EPLAN macros, ...)

http://www.automation.siemens.com/bilddb/cax_de.aspx?mlfb=3RT2926-4RA11&lang=en



last modified:

11/9/2023 