

SPECIFICATIONS:

RATING: 12V DC @ 1A

WITHSTAND VOLTAGE:

500V AC FOR 1 MINUTE

INSERTION FORCE:

BEFORE TEST OR INITIAL: 0.5KG TO 3KG

AFTER LIFE TEST: 0.3KG TO 3KG

EXTRACTION FORCE:

BEFORE TEST OR INITIAL: 0.5KG TO 3KG

AFTER LIFE TEST: 0.3KG TO 3KG

INSULATION RESISTANCE:

100 MEGA-OHMS MIN. @ 500V DC

CONTACT RESISTANCE: 100mA AND @ FREQ. OF 1KHz

BEFORE TEST OR INITIAL: 30 MILLI-OHMS MAX

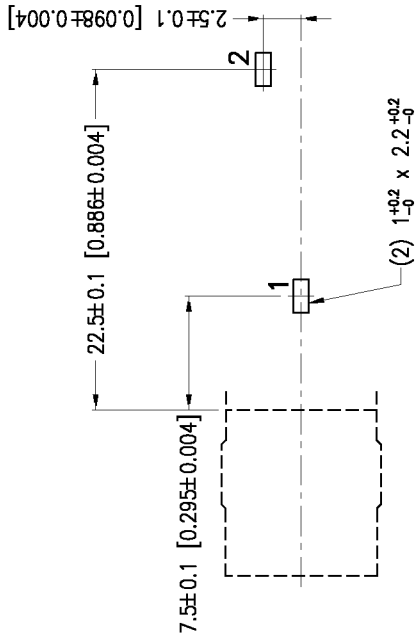
AFTER LIFE TEST: 60 MILLI-OHMS MAX AT BELOW

100mA AND @ FREQ. OF 1KHz

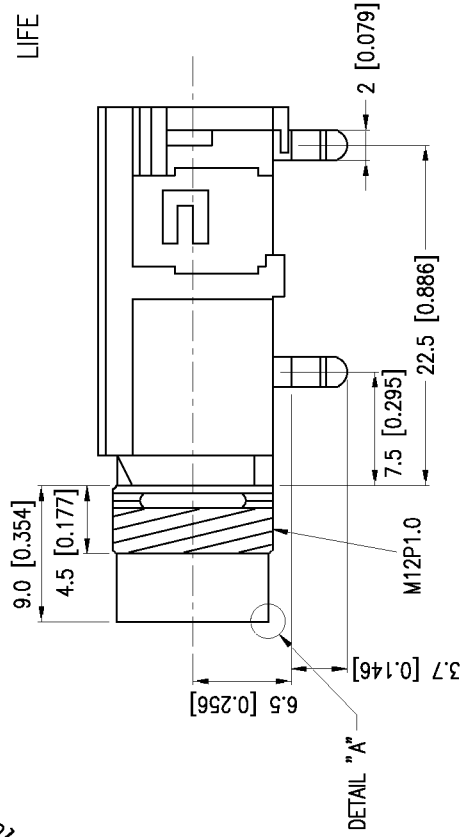
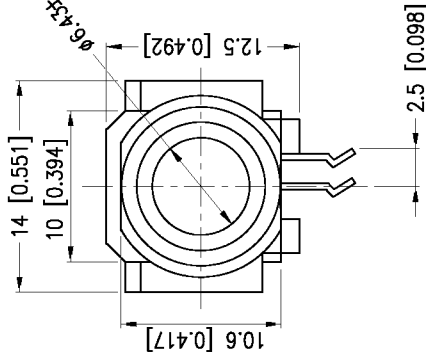
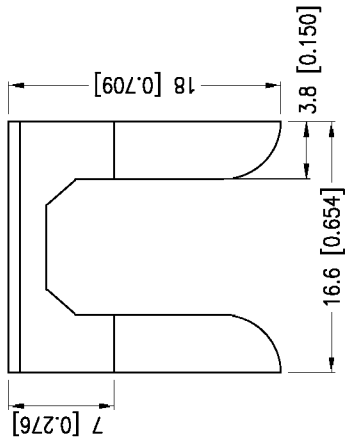
LIFE TEST:

5,000 CYCLES OF INSERTION AND EXTRACTION

@ 20 TO 30 CYCLES PER MINUTE UNDER NO LOAD

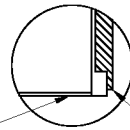


**HOLE LAYOUT
(BOTTOM VIEW)**

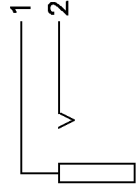


DETAIL "A"

0.3x0.3mm CHAMFER



DETAIL "A"



MJ-6322G



9615 SW Allen, Suite 103
Beaverton, OR 97006
Phone: (503) 643-4899
800-275-4899
Fax: (503) 643-6129
Website: www.cuistack.com

TITLE: **6.4mm AUDIO JACK-MONO**

PART NO. MJ-6322G UNITS: MM [INCHES]

DRAWN BY: APPROVED BY: SCALE: 2X