

NT5SV64M4BS / NT5SV64M4BT
NT5SV32M8BS / NT5SV32M8BT
NT5SV16M16BS / NT5SV16M16BT
256Mb Synchronous DRAM



Features

- High Performance:

		6K/6K1 CL=3	75B/75BI CL=3	Units
f _{CK}	Clock Frequency	166	133	MHz
t _{CK}	Clock Cycle	6	7.5	ns
t _{AC}	Clock Access Time ¹	—	—	ns
t _{AC}	Clock Access Time ²	5	5.4	ns

1. Terminated load. See AC Characteristics on page 37
2. Unterminated load. See AC Characteristics on page 37
3. t_{RP} = t_{RCD} = 2 CKs

- Single Pulsed $\overline{\text{RAS}}$ Interface
- Fully Synchronous to Positive Clock Edge
- Four Banks controlled by BA0/BA1 (Bank Select)

- Programmable CAS Latency: 2, 3
- Programmable Burst Length: 1, 2, 4, 8 or full page
- Programmable Wrap: Sequential or Interleave
- Multiple Burst Read with Single Write Option
- Automatic and Controlled Precharge Command
- Data Mask for Read/Write control (x4, x8)
- Dual Data Mask for byte control (x16)
- Auto Refresh (CBR) and Self Refresh
- Suspend Mode and Power Down Mode
- Standard Power operation
- 8192 refresh cycles/64ms
- Random Column Address every CK (1-N Rule)
- Single 3.3V ± 0.3V Power Supply
- LVTTTL compatible
- Package: 54-pin 400 mil TSOP-Type II
- Lead-free & Halogen-free product available

Description

The NT5SV64M4BS, NT5SV64M4BT, NT5SV32M8BS, NT5SV32M8BT, NT5SV16M16BS, and NT5SV16M16BT are four-bank Synchronous DRAMs organized as 16Mbit x 4 I/O x 4 Bank, 8Mbit x 8 I/O x 4 Bank, and 4Mbit x 16 I/O x 4 Bank, respectively. These synchronous devices achieve high-speed data transfer rates of up to 166MHz by employing a pipeline chip architecture that synchronizes the output data to a system clock.

The device is designed to comply with all JEDEC standards set for synchronous DRAM products, both electrically and mechanically. All of the control, address, and data input/output (I/O or DQ) circuits are synchronized with the positive edge of an externally supplied clock.

$\overline{\text{RAS}}$, $\overline{\text{CAS}}$, $\overline{\text{WE}}$, and $\overline{\text{CS}}$ are pulsed signals which are examined at the positive edge of each externally applied clock (CK). Internal chip operating modes are defined by combinations of these signals and a command decoder initiates the necessary timings for each operation. A fifteen bit address bus accepts address data in the conventional $\overline{\text{RAS}}/\overline{\text{CAS}}$ multiplexing style. Thirteen row addresses (A0-A12) and two bank select addresses (BA0, BA1) are strobed with $\overline{\text{RAS}}$. Eleven column addresses (A0-A9, A11) plus bank select addresses and A10 are strobed with $\overline{\text{CAS}}$. Column address A11 is dropped on the x8 device, and column addresses A11 and A9 are dropped on the x16 device.

Prior to any access operation, the $\overline{\text{CAS}}$ latency, burst length, and burst sequence must be programmed into the device by address inputs A0-A12, BA0, BA1 during a mode register set

cycle. In addition, it is possible to program a multiple burst sequence with single write cycle for write through cache operation.

Operating the four memory banks in an interleave fashion allows random access operation to occur at a higher rate than is possible with standard DRAMs. A sequential and gap-less data rate of up to 166MHz is possible depending on burst length, CAS latency, and speed grade of the device. Auto Refresh (CBR) and Self Refresh operation are supported.

NT5SV64M4BS / NT5SV64M4BT
 NT5SV32M8BS / NT5SV32M8BT
 NT5SV16M16BS / NT5SV16M16BT
256Mb Synchronous DRAM



Ordering Information

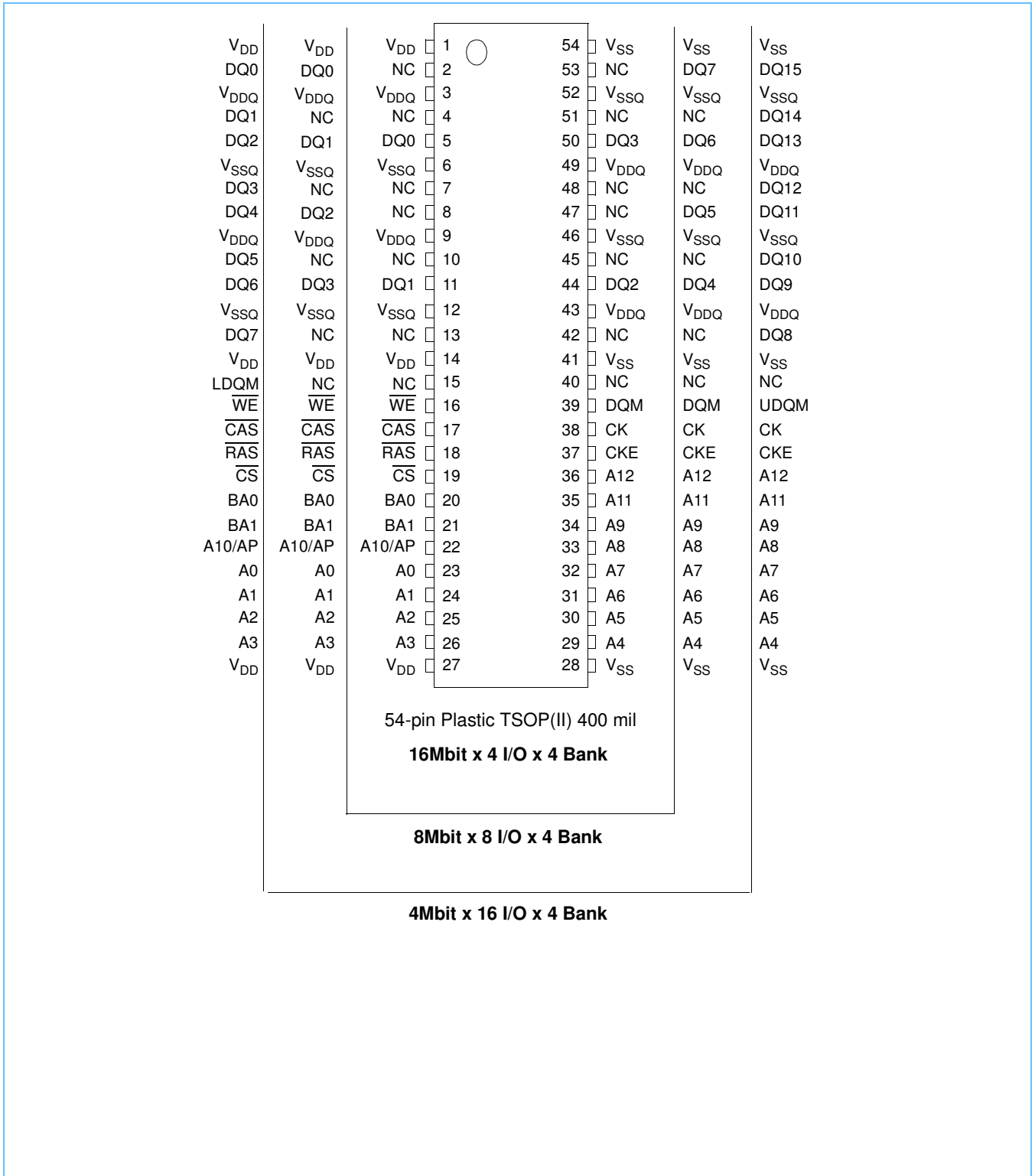
Organization	Part Number	Speed Grade		Package	Power
		Clock Frequency CL-t _{RCD} -t _{RP}	Note		
64M x 4	NT5SV64M4BS-6K	166MHz-3-3-3	PC166	400mil 54-PIN TSOP II Lead-Free	3.3V
32M x 8	NT5SV32M8BS-6K				
16M x 16	NT5SV16M16BS-6K				
64M x 4	NT5SV64M4BS-75B	133MHz-3-3-3	PC133		
32M x 8	NT5SV32M8BS-75B				
16M x 16	NT5SV16M16BS-75B				
64M x 4	NT5SV64M4BT-6K	166MHz-3-3-3	PC166	400mil 54-PIN TSOP II	3.3V
32M x 8	NT5SV32M8BT-6K				
16M x 16	NT5SV16M16BT-6K				
64M x 4	NT5SV64M4BT-75B	133MHz-3-3-3	PC133		
32M x 8	NT5SV32M8BT-75B				
16M x 16	NT5SV16M16BT-75B				
16M x 16	NT5SV16M16BS-6KI	166MHz-3-3-3	PC166	400mil 54-PIN TSOP II Lead-Free	3.3V
	NT5SV16M16BS-75BI	133MHz-3-3-3	PC133		
16M x 16	NT5SV16M16BT-6KI	166MHz-3-3-3	PC166	400mil 54-PIN TSOP II	
	NT5SV16M16BT-75BI	133MHz-3-3-3	PC133		

CL = CAS Latency
 Lead-free products are also halogen-free

Nanya Technology Corporation
 Hwa Ya Technology Park 669
 Fu Hsing 3rd Rd., Kueishan,
 Taoyuan, 333, Taiwan, R.O.C.
 Tel: +886-3-328-1688

Please visit our home page for more information: www.nanya.com

Pin Assignments for Planar Components (Top View)



256Mb Synchronous DRAM

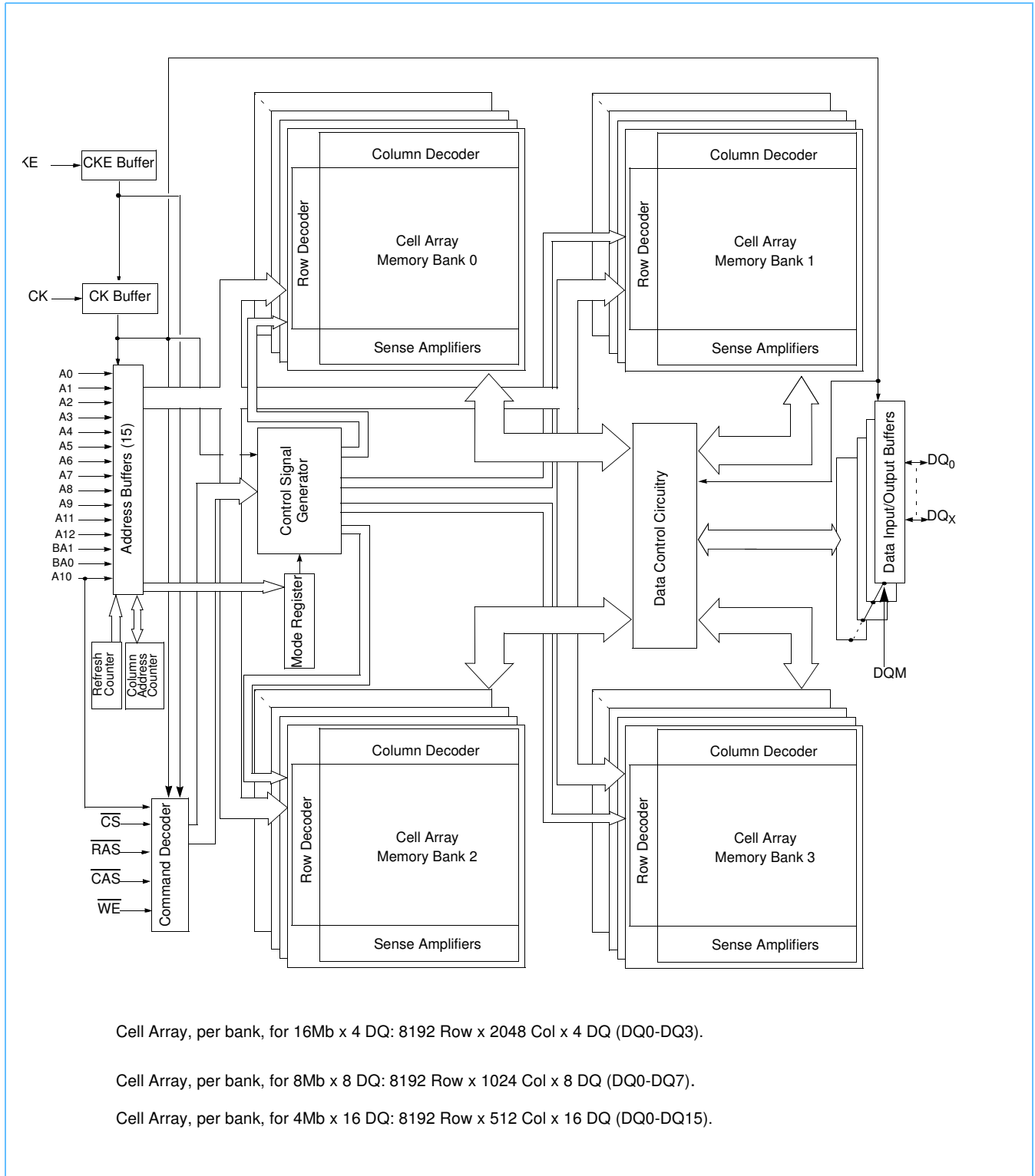
Pin Description

CK	Clock Input	DQ0-DQ15	Data Input/Output
CKE (CKE0, CKE1)	Clock Enable	DQM, LDQM, UDQM	Data Mask
\overline{CS}	Chip Select	V_{DD}	Power (+3.3V)
\overline{RAS}	Row Address Strobe	V_{SS}	Ground
\overline{CAS}	Column Address Strobe	V_{DDQ}	Power for DQs (+3.3V)
\overline{WE}	Write Enable	V_{SSQ}	Ground for DQs
BA1, BA0	Bank Select	NC	No Connection
A0 - A12	Address Inputs	—	—

Input/Output Functional Description

Symbol	Type	Polarity	Function
CK	Input	Positive Edge	The system clock input. All of the SDRAM inputs are sampled on the rising edge of the clock.
CKE, CKE0, CKE1	Input	Active High	Activates the CK signal when high and deactivates the CK signal when low. By deactivating the clock, CKE low initiates the Power Down mode, Suspend mode, or the Self Refresh mode.
\overline{CS}	Input	Active Low	\overline{CS} enables the command decoder when low and disables the command decoder when high. When the command decoder is disabled, new commands are ignored but previous operations continue.
\overline{RAS} , \overline{CAS} , \overline{WE}	Input	Active Low	When sampled at the positive rising edge of the clock, \overline{CAS} , \overline{RAS} , and \overline{WE} define the operation to be executed by the SDRAM.
BA1, BA0	Input	—	Selects which bank is to be active.
A0 - A12	Input	—	During a Bank Activate command cycle, A0-A12 defines the row address (RA0-RA12) when sampled at the rising clock edge. During a Read or Write command cycle, A0-A9 and A11 defines the column address (CA0-CA9, CA11), when sampled at the rising clock edge. Assume the x4 organization. A10 is used to invoke auto-precharge operation at the end of the burst read or write cycle. If A10 is high, auto-precharge is selected and BA0, BA1 defines the bank to be precharged. If A10 is low, autoprecharge is disabled. During a Precharge command cycle, A10 is used in conjunction with BA0, BA1 to control which bank(s) to precharge. If A10 is high, all banks will be precharged regardless of the state of BS. If A10 is low, then BA0 and BA1 are used to define which bank to precharge.
DQ0 - DQ15	Input-Output	—	Data Input/Output pins operate in the same manner as on conventional DRAMs.
DQM LDQM UDQM	Input	Active High	The Data Input/Output mask places the DQ buffers in a high impedance state when sampled high. In x16 products, the LDQM and UDQM control the lower and upper byte I/O buffers, respectively. In Read mode, DQM has a latency of two clock cycles and controls the output buffers like an output enable. DQM low turns the output buffers on and DQM high turns them off. In Write mode, DQM has a latency of zero and operates as a word mask by allowing input data to be written if it is low but blocks the write operation if DQM is high.
V_{DD} , V_{SS}	Supply	—	Power and ground for the input buffers and the core logic.
V_{DDQ} , V_{SSQ}	Supply	—	Isolated power supply and ground for the output buffers to provide improved noise immunity.

Block Diagram





Power On and Initialization

The default power on state of the mode register is supplier specific and may be undefined. The following power on and initialization sequence guarantees the device is preconditioned to each users specific needs.

Like a conventional DRAM, the Synchronous DRAM must be powered up and initialized in a predefined manner. During power on, all V_{DD} and V_{DDQ} pins must be built up simultaneously to the specified voltage when the input signals are held in the "NOP" state. The power on voltage must not exceed $V_{DD}+0.3V$ on any of the input pins or V_{DD} supplies. The CK signal must be started at the same time. After power on, an initial pause of 200 μ s is required followed by a precharge of all banks using the precharge command. To prevent data contention on the DQ bus during power on, it is required that the DQM and CKE pins be held high during the initial pause period. Once all banks have been precharged, the Mode Register Set Command must be issued to initialize the Mode Register. A minimum of two Auto Refresh cycles (CBR) are also required. These may be done before or after programming the Mode Register. Failure to follow these steps may lead to unpredictable start-up modes.

Programming the Mode Register

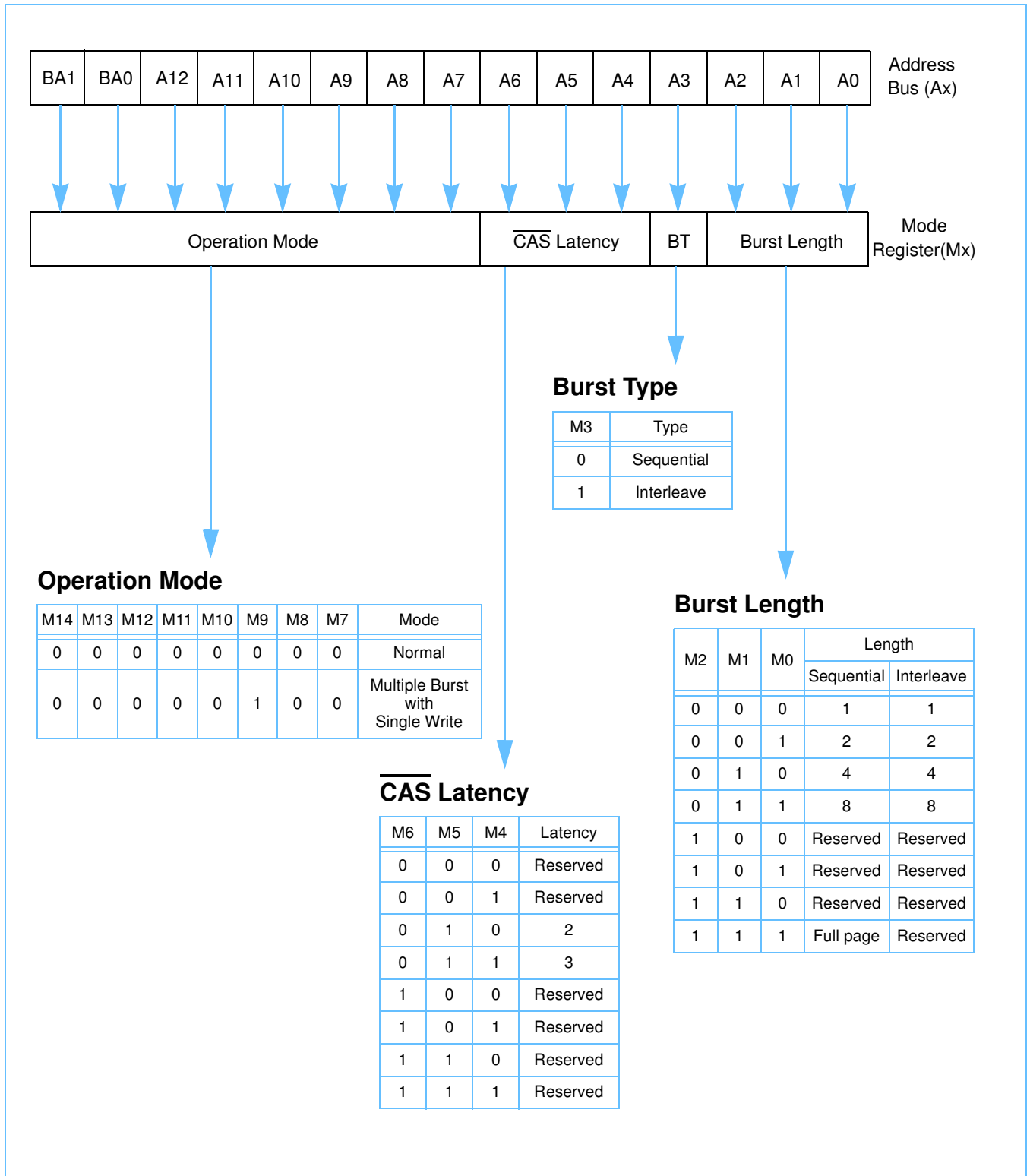
For application flexibility, \overline{CAS} latency, burst length, burst sequence, and operation type are user defined variables and must be programmed into the SDRAM Mode Register with a single Mode Register Set Command. Any content of the Mode Register can be altered by re-executing the Mode Register Set Command. If the user chooses to modify only a subset of the Mode Register variables, all four variables must be redefined when the Mode Register Set Command is issued.

After initial power up, the Mode Register Set Command must be issued before read or write cycles may begin. All banks must be in a precharged state and CKE must be high at least one cycle before the Mode Register Set Command can be issued. The Mode Register Set Command is activated by the low signals of \overline{RAS} , \overline{CAS} , \overline{CS} , and \overline{WE} at the positive edge of the clock. The address input data during this cycle defines the parameters to be set as shown in the Mode Register Operation table. A new command may be issued following the mode register set command once a delay equal to t_{RSC} has elapsed.

\overline{CAS} Latency

The \overline{CAS} latency is a parameter that is used to define the delay from when a Read Command is registered on a rising clock edge to when the data from that Read Command becomes available at the outputs. The \overline{CAS} latency is expressed in terms of clock cycles and can have a value of 2 or 3 cycles. The value of the \overline{CAS} latency is determined by the speed grade of the device and the clock frequency that is used in the application. A table showing the relationship between the \overline{CAS} latency, speed grade, and clock frequency appears in the Electrical Characteristics section of this document. Once the appropriate \overline{CAS} latency has been selected it must be programmed into the mode register after power up, for an explanation of this procedure see Programming the Mode Register in the previous section.

Mode Register Operation (Address Input For Mode Set)



256Mb Synchronous DRAM

Burst Mode Operation

Burst mode operation is used to provide a constant flow of data to memory locations (write cycle), or from memory locations (read cycle). There are three parameters that define how the burst mode will operate. These parameters include burst sequence, burst length, and operation mode. The burst sequence and burst length are programmable, and are determined by address bits A0 - A3 during the Mode Register Set command. Operation mode is also programmable and is set by address bits A7 - A12, BA0, and BA1.

The burst type is used to define the order in which the burst data will be delivered or stored to the SDRAM. Two types of burst sequences are supported, sequential and interleaved. See the table below.

The burst length controls the number of bits that will be output after a Read Command, or the number of bits to be input after a Write Command. The burst length can be programmed to have values of 1, 2, 4, 8 (actual page length is dependent on organization: x4, x8, or x16).

Burst operation mode can be normal operation or multiple burst with single write operation. Normal operation implies that the device will perform burst operations on both read and write cycles until the desired burst length is satisfied. Multiple burst with single write operation was added to support Write Through Cache operation. Here, the programmed burst length only applies to read cycles. All write cycles are single write operations when this mode is selected.

Burst Length and Sequence

Burst Length	Starting Address (A2 A1 A0)	Sequential Addressing (decimal)	Interleave Addressing (decimal)
2	x x 0	0, 1	0, 1
	x x 1	1, 0	1, 0
4	x 0 0	0, 1, 2, 3	0, 1, 2, 3
	x 0 1	1, 2, 3, 0	1, 0, 3, 2
	x 1 0	2, 3, 0, 1	2, 3, 0, 1
	x 1 1	3, 0, 1, 2	3, 2, 1, 0
8	0 0 0	0, 1, 2, 3, 4, 5, 6, 7	0, 1, 2, 3, 4, 5, 6, 7
	0 0 1	1, 2, 3, 4, 5, 6, 7, 0	1, 0, 3, 2, 5, 4, 7, 6
	0 1 0	2, 3, 4, 5, 6, 7, 0, 1	2, 3, 0, 1, 6, 7, 4, 5
	0 1 1	3, 4, 5, 6, 7, 0, 1, 2	3, 2, 1, 0, 7, 6, 5, 4
	1 0 0	4, 5, 6, 7, 0, 1, 2, 3	4, 5, 6, 7, 0, 1, 2, 3
	1 0 1	5, 6, 7, 0, 1, 2, 3, 4	5, 4, 7, 6, 1, 0, 3, 2
	1 1 0	6, 7, 0, 1, 2, 3, 4, 5	6, 7, 4, 5, 2, 3, 0, 1
	1 1 1	7, 0, 1, 2, 3, 4, 5, 6	7, 6, 5, 4, 3, 2, 1, 0
256 (Full Page)	n	Cn, Cn+1, Cn+2...	Not supported

Note: Page length is a function of I/O organization and column addressing.

x4 organization (CA0-CA9, CA11); Page Length = 2048 bits

x8 organization (CA0-CA9); Page Length = 1024 bits

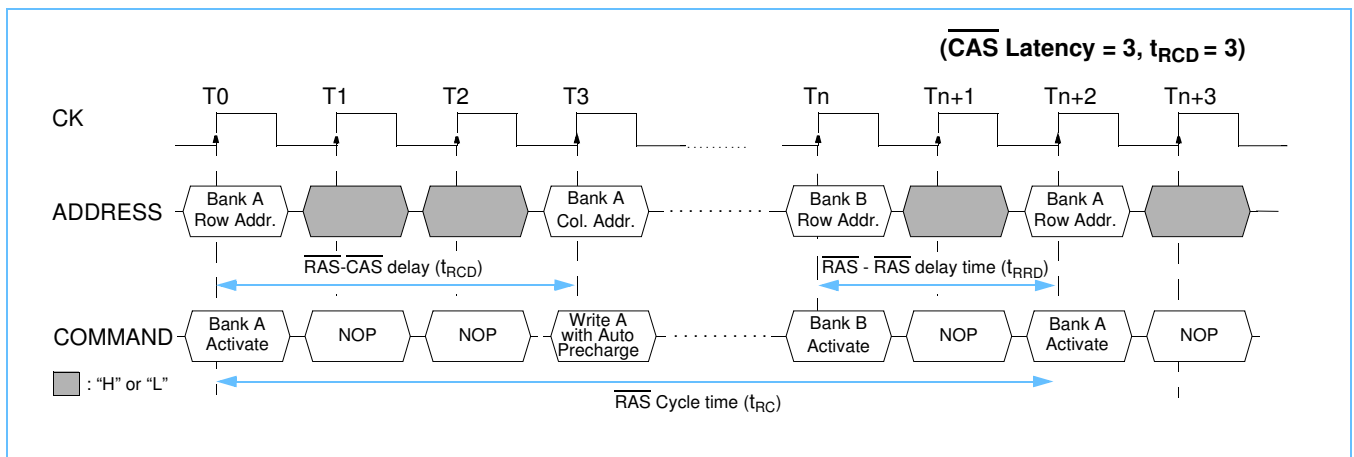
x16 organization (CA0-CA8); Page Length = 512 bits

Bank Activate Command

In relation to the operation of a fast page mode DRAM, the Bank Activate command correlates to a falling $\overline{\text{RAS}}$ signal. The Bank Activate command is issued by holding $\overline{\text{CAS}}$ and $\overline{\text{WE}}$ high with $\overline{\text{CS}}$ and $\overline{\text{RAS}}$ low at the rising edge of the clock. The Bank Select address BA0 - BA1 is used to select the desired bank. The row address A0 - A12 is used to determine which row to activate in the selected bank.

The Bank Activate command must be applied before any Read or Write operation can be executed. The delay from when the Bank Activate command is applied to when the first read or write operation can begin must meet or exceed the $\overline{\text{RAS}}$ to $\overline{\text{CAS}}$ delay time (t_{RCD}). Once a bank has been activated it must be precharged before another Bank Activate command can be applied to the same bank. The minimum time interval between successive Bank Activate commands to the same bank is determined by the RAS cycle time of the device (t_{RC}). The minimum time interval between interleaved Bank Activate commands (Bank A to Bank B and vice versa) is the Bank to Bank delay time (t_{RRD}). The maximum time that each bank can be held active is specified as $t_{\text{RAS(max)}}$.

Bank Activate Command Cycle



Bank Select

The Bank Select inputs, BA0 and BA1, determine the bank to be used during a Bank Activate, Precharge, Read, or Write operation.

Bank Selection Bits

BA0	BA1	Bank
0	0	Bank 0
1	0	Bank 1
0	1	Bank 2
1	1	Bank 3



Read and Write Access Modes

After a bank has been activated, a read or write cycle can be executed. This is accomplished by setting $\overline{\text{RAS}}$ high and $\overline{\text{CAS}}$ low at the clock's rising edge after the necessary $\overline{\text{RAS}}$ to $\overline{\text{CAS}}$ delay (t_{RCD}). $\overline{\text{WE}}$ must also be defined at this time to determine whether the access cycle is a read operation ($\overline{\text{WE}}$ high), or a write operation ($\overline{\text{WE}}$ low). The address inputs determine the starting column address.

The SDRAM provides a wide variety of fast access modes. A single Read or Write Command will initiate a serial read or write operation on successive clock cycles up to 133 MHz for PC133 or upto 166MHz for PC166 devices. The number of serial data bits for each access is equal to the burst length, which is programmed into the Mode Register.

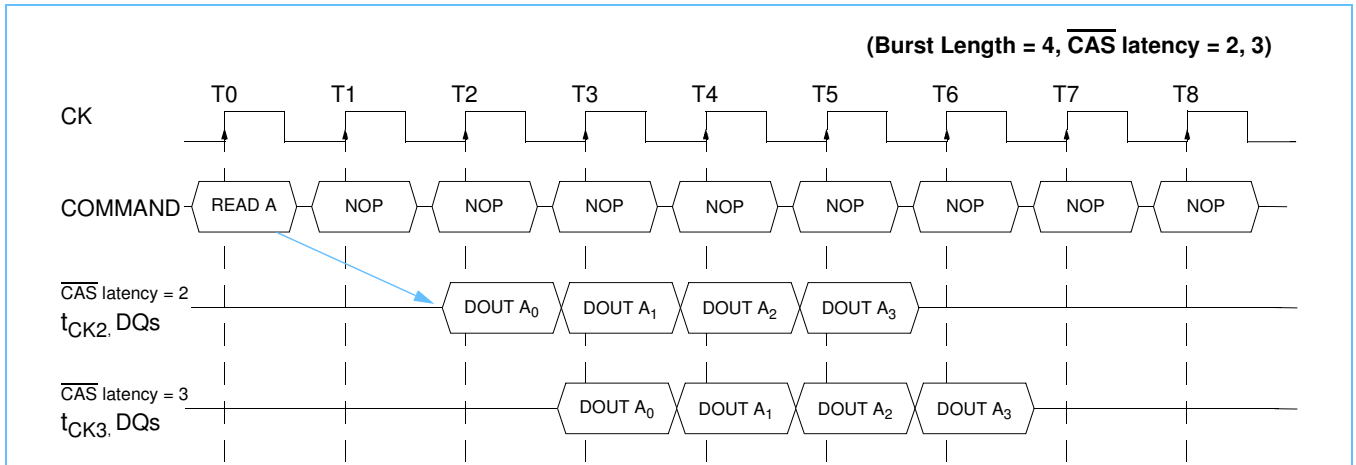
Similar to Page Mode of conventional DRAMs, a read or write cycle can not begin until the sense amplifiers latch the selected row address information. The refresh period (t_{REF}) is what limits the number of random column accesses to an activated bank. A new burst access can be done even before the previous burst ends. The ability to interrupt a burst operation at every clock cycle is supported; this is referred to as the 1-N rule. When the previous burst is interrupted by another Read or Write Command, the remaining addresses are overridden by the new address.

Precharging an active bank after each read or write operation is not necessary providing the same row is to be accessed again. To perform a read or write cycle to a different row within an activated bank, the bank must be precharged and a new Bank Activate command must be issued. When more than one bank is activated, interleaved (ping pong) bank Read or Write operations are possible. By using the programmed burst length and alternating the access and precharge operations between multiple banks, fast and seamless data access operation among many different pages can be realized. When multiple banks are activated, column to column interleave operation can be done between different pages. Finally, Read or Write Commands can be issued to the same bank or between active banks on every clock cycle.

Burst Read Command

The Burst Read command is initiated by having \overline{CS} and \overline{CAS} low while holding \overline{RAS} and \overline{WE} high at the rising edge of the clock. The address inputs determine the starting column address for the burst, the Mode Register sets the type of burst (sequential or interleave) and the burst length (1, 2, 4, 8). The delay from the start of the command to when the data from the first cell appears on the outputs is equal to the value of the \overline{CAS} latency that is set in the Mode Register.

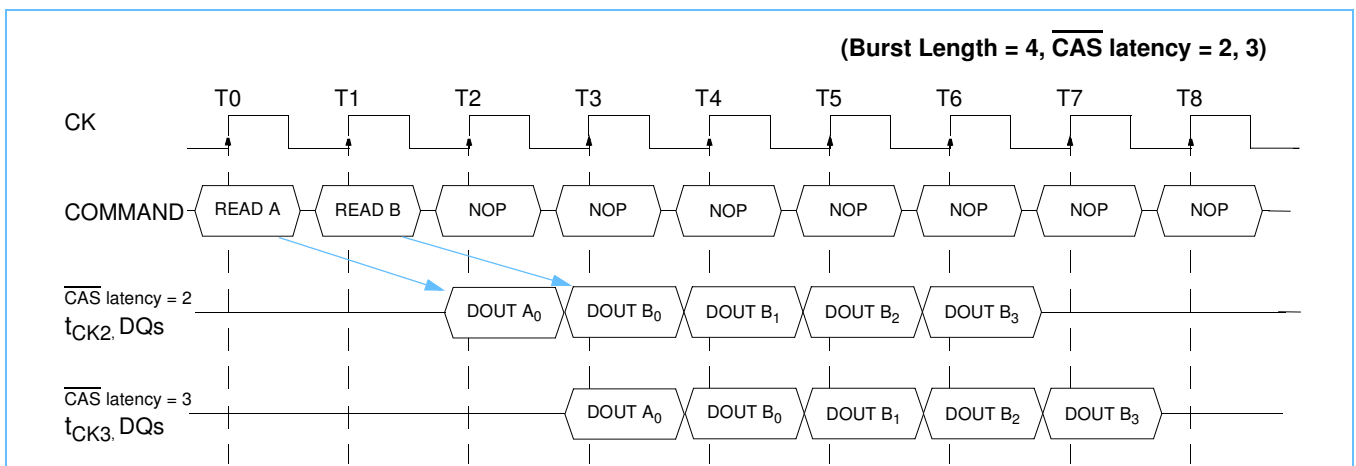
Burst Read Operation



Read Interrupted by a Read

A Burst Read may be interrupted before completion of the burst by another Read Command, with the only restriction being that the interval that separates the commands must be at least one clock cycle. When the previous burst is interrupted, the remaining addresses are overridden by the new address with the full burst length. The data from the first Read Command continues to appear on the outputs until the \overline{CAS} latency from the interrupting Read Command is satisfied, at this point the data from the interrupting Read Command appears.

Read Interrupted by a Read

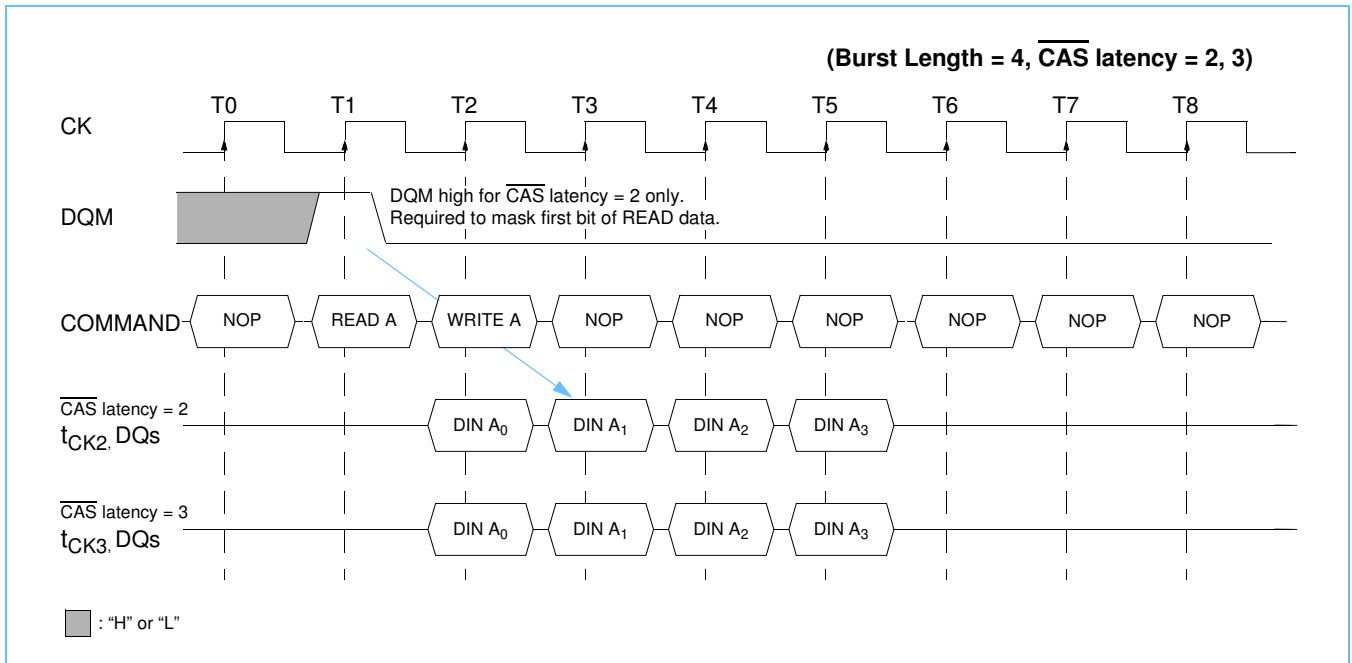


256Mb Synchronous DRAM

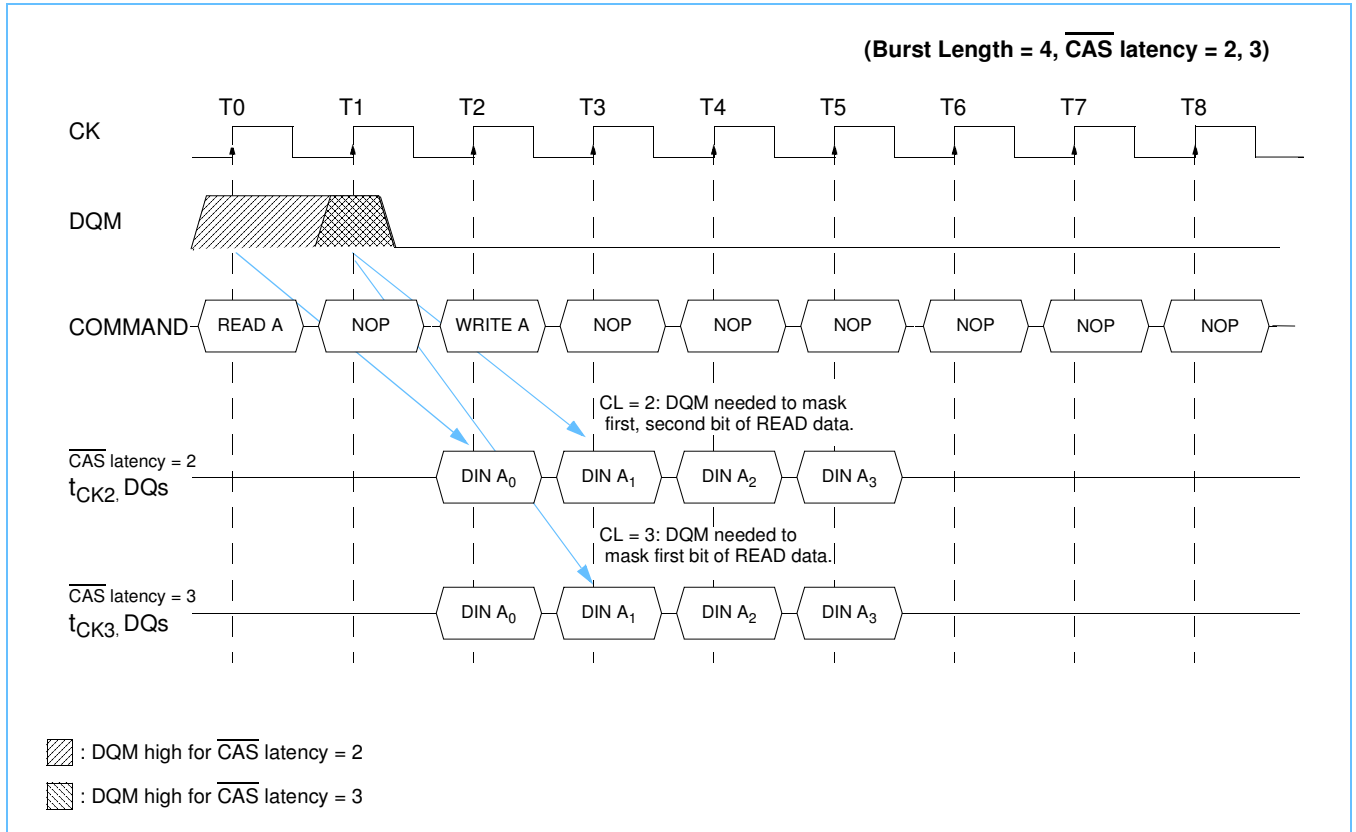
Read Interrupted by a Write

To interrupt a burst read with a Write Command, DQM may be needed to place the DQs (output drivers) in a high impedance state to avoid data contention on the DQ bus. If a Read Command will issue data on the first or second clocks cycles of the write operation, DQM is needed to insure the DQs are tri-stated. After that point the Write Command will have control of the DQ bus.

Minimum Read to Write Interval



Non-Minimum Read to Write Interval

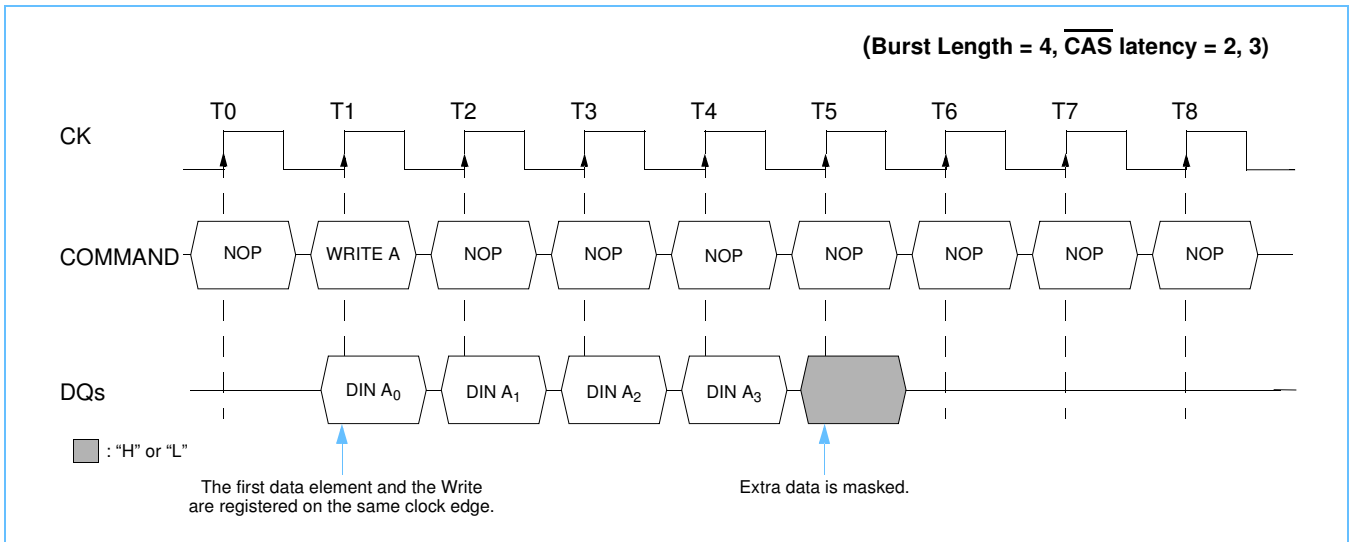


256Mb Synchronous DRAM

Burst Write Command

The Burst Write command is initiated by having \overline{CS} , \overline{CAS} , and \overline{WE} low while holding \overline{RAS} high at the rising edge of the clock. The address inputs determine the starting column address. There is no \overline{CAS} latency required for burst write cycles. Data for the first burst write cycle must be applied on the DQ pins on the same clock cycle that the Write Command is issued. The remaining data inputs must be supplied on each subsequent rising clock edge until the burst length is completed. When the burst has finished, any additional data supplied to the DQ pins will be ignored.

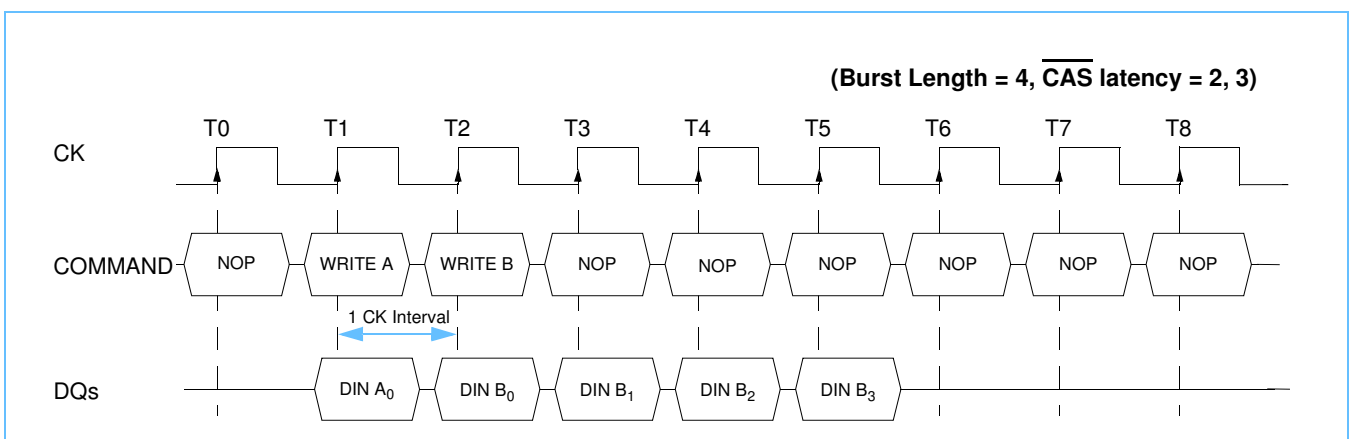
Burst Write Operation



Write Interrupted by a Write

A burst write may be interrupted before completion of the burst by another Write Command. When the previous burst is interrupted, the remaining addresses are overridden by the new address and data will be written into the device until the programmed burst length is satisfied.

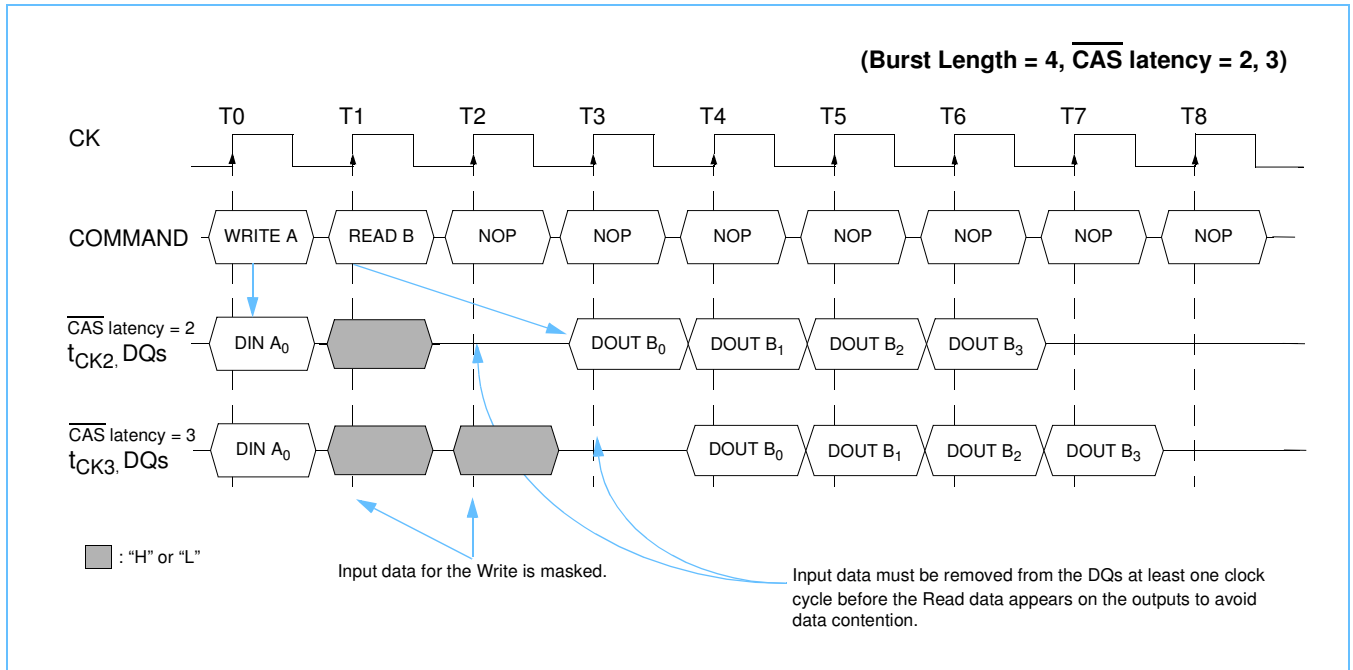
Write Interrupted by a Write



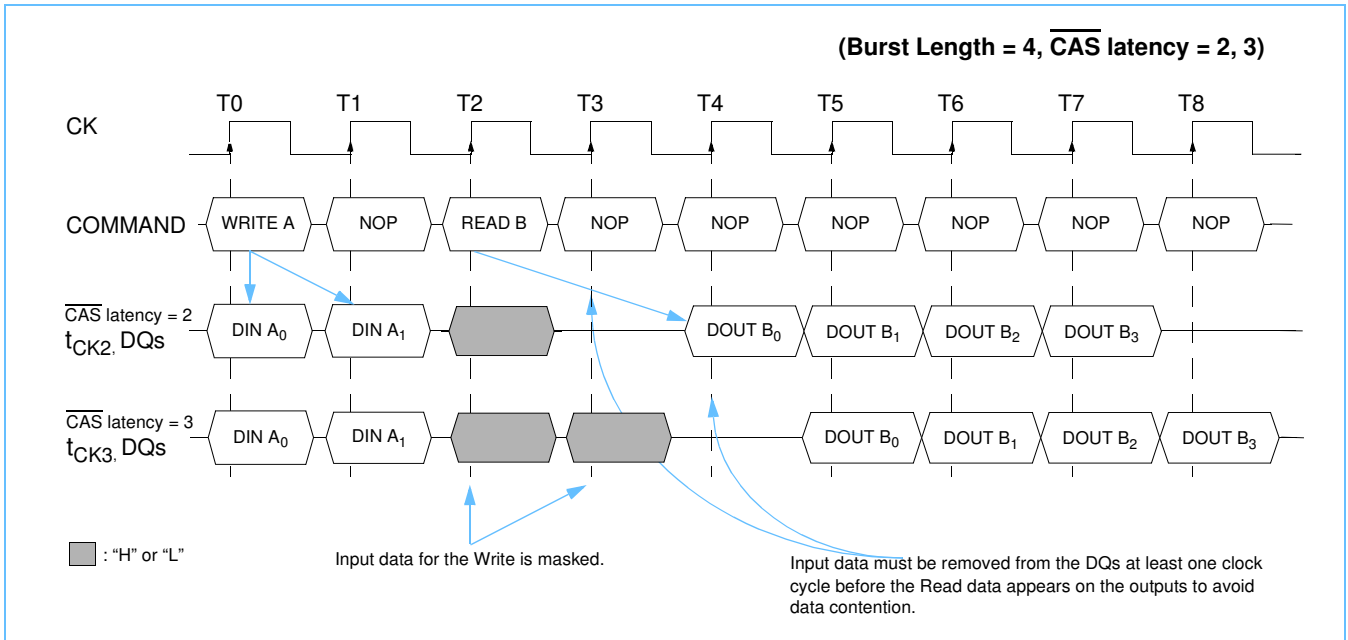
Write Interrupted by a Read

A Read Command will interrupt a burst write operation on the same clock cycle that the Read Command is registered. The DQs must be in the high impedance state at least one cycle before the interrupting read data appears on the outputs to avoid data contention. When the Read Command is registered, any residual data from the burst write cycle will be ignored. Data that is presented on the DQ pins before the Read Command is initiated will actually be written to the memory.

Minimum Write to Read Interval



Non-Minimum Write to Read Interval



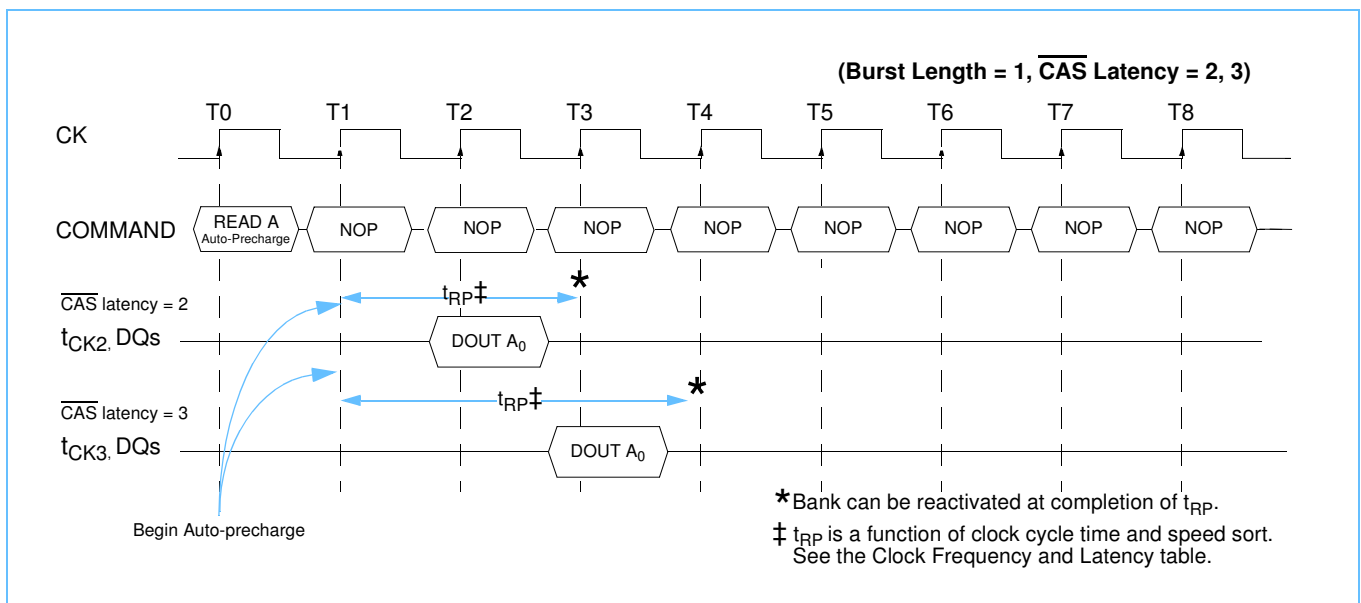
Auto-Precharge Operation

Before a new row in an active bank can be opened, the active bank must be precharged using either the Precharge Command or the auto-precharge function. When a Read or a Write Command is given to the SDRAM, the $\overline{\text{CAS}}$ timing accepts one extra address, column address A10, to allow the active bank to automatically begin precharge at the earliest possible moment during the burst read or write cycle. If A10 is low when the Read or Write Command is issued, then normal Read or Write burst operation is executed and the bank remains active at the completion of the burst sequence. If A10 is high when the Read or Write Command is issued, then the auto-precharge function is engaged. During auto-precharge, a Read Command will execute as normal with the exception that the active bank will begin to precharge before all burst read cycles have been completed. Regardless of burst length, the precharge will begin ($\overline{\text{CAS}}$ latency - 1) clocks prior to the last data output. Auto-precharge can also be implemented during Write commands.

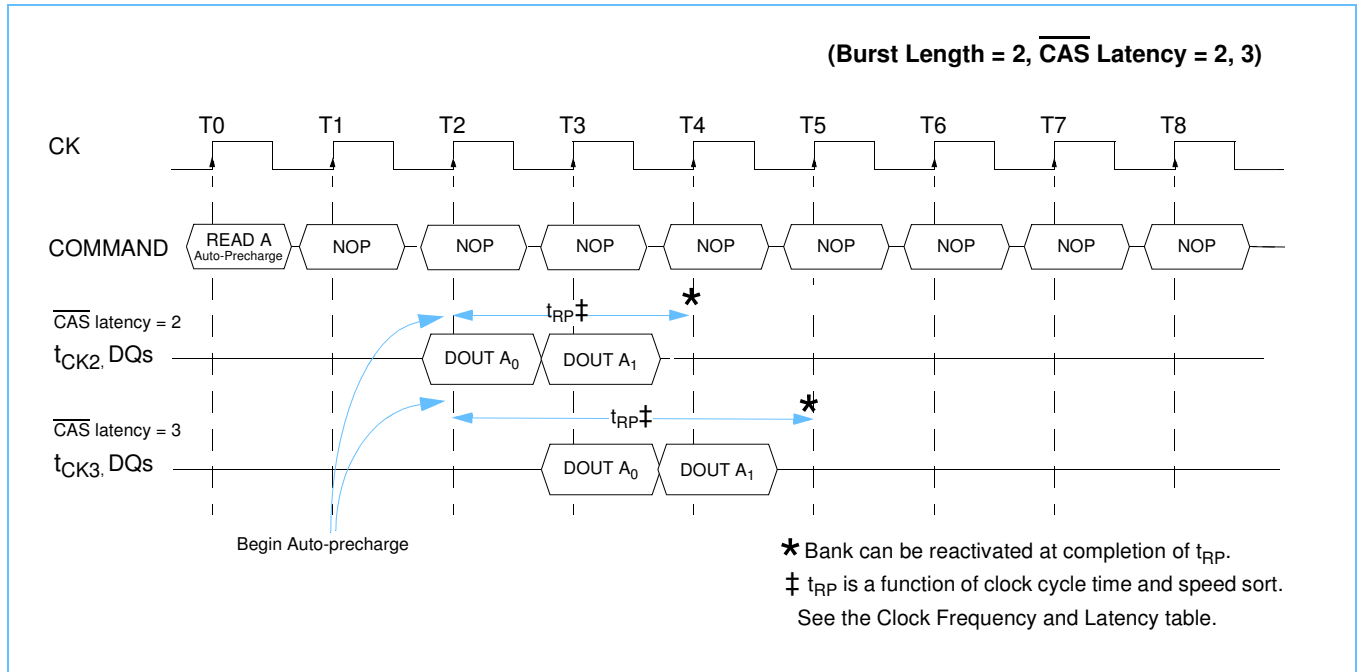
A Read or Write Command without auto-precharge can be terminated in the midst of a burst operation. However, a Read or Write Command with auto-precharge cannot be interrupted by a command to the same bank. Therefore use of a Read, Write, or Precharge Command to the same bank is prohibited during a read or write cycle with auto-precharge until the entire burst operation is completed. Once the precharge operation has started the bank cannot be reactivated until the Precharge time (t_{RP}) has been satisfied.

When using the Auto-precharge Command, the interval between the Bank Activate Command and the beginning of the internal precharge operation must satisfy $t_{RAS(\text{min})}$. If this interval does not satisfy $t_{RAS(\text{min})}$ then t_{RCD} must be extended.

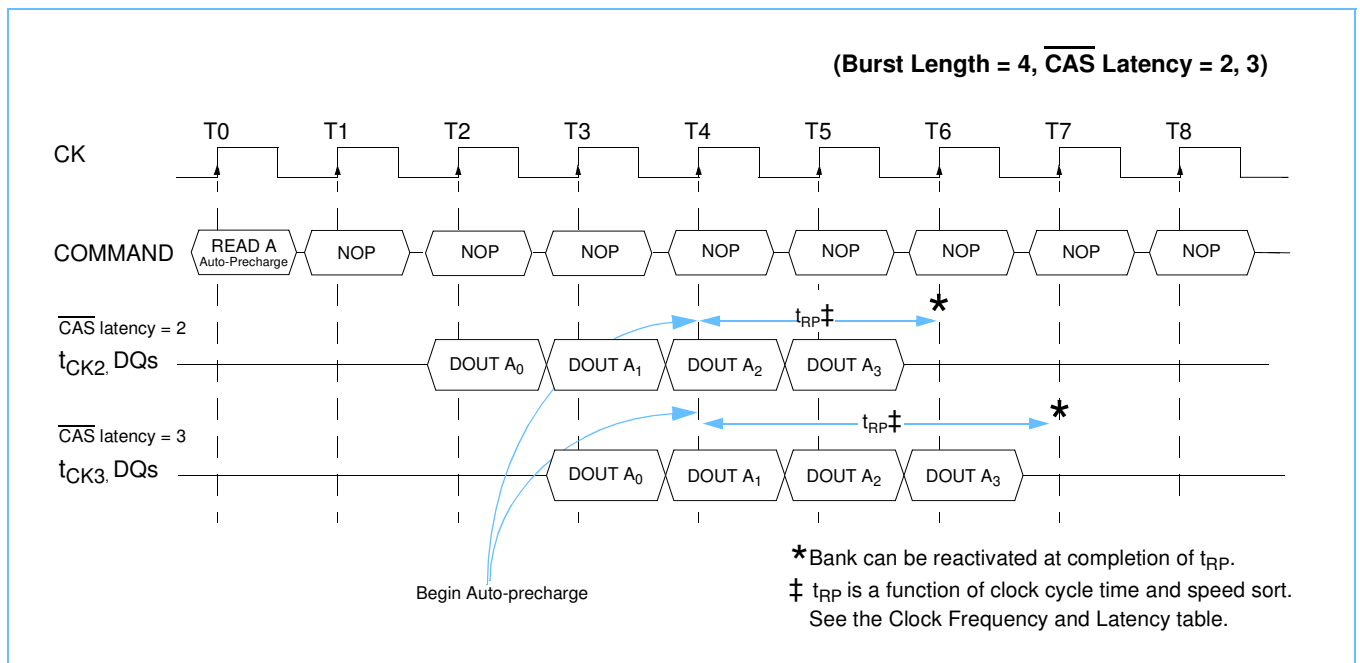
Burst Read with Auto-Precharge



Burst Read with Auto-Precharge



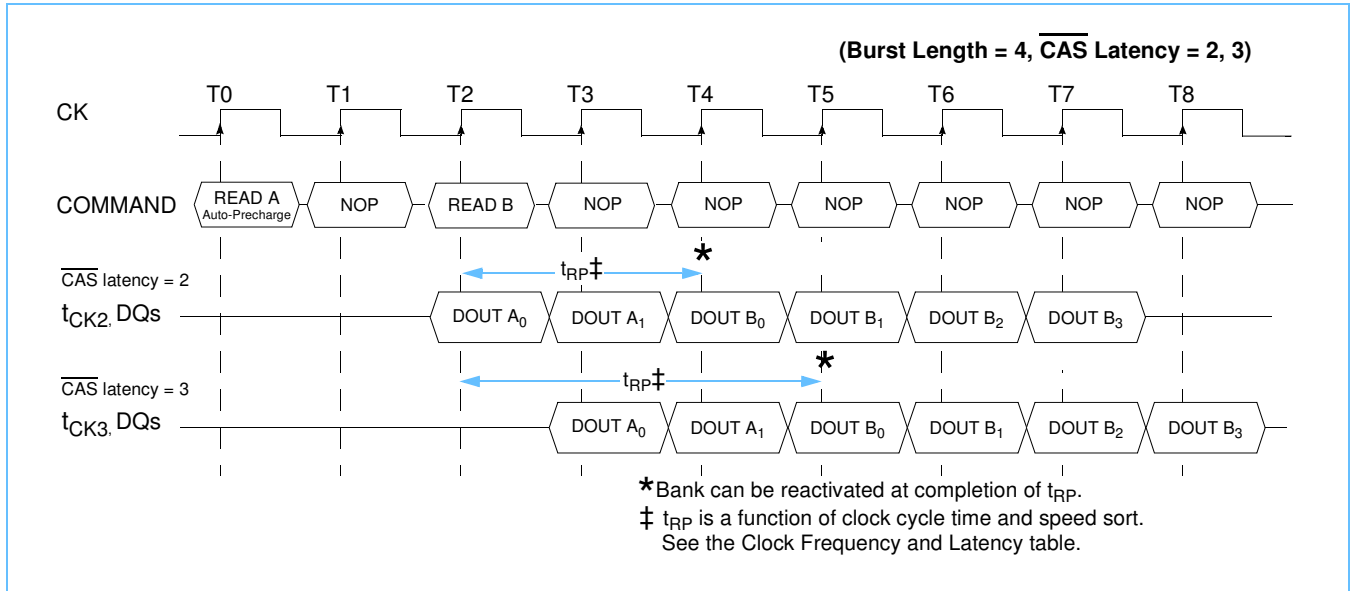
Burst Read with Auto-Precharge



256Mb Synchronous DRAM

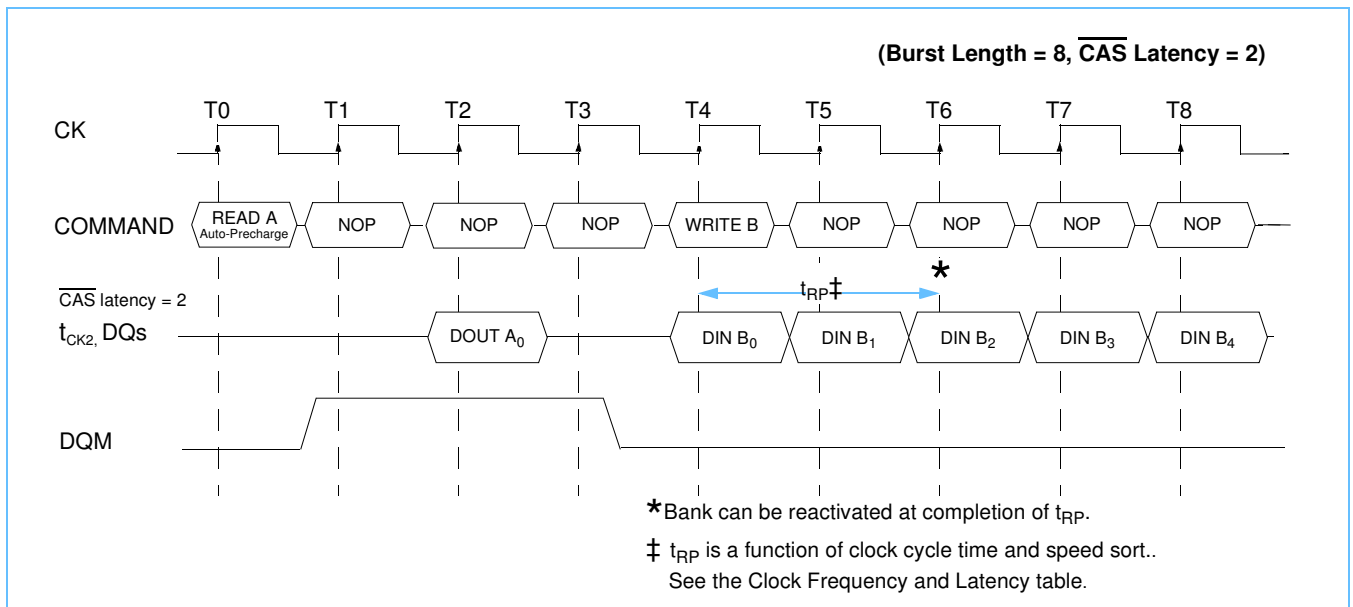
Although a Read Command with auto-precharge can not be interrupted by a command to the same bank, it can be interrupted by a Read or Write Command to a different bank. If the command is issued before auto-precharge begins then the precharge function will begin with the new command. The bank being auto-precharged may be reactivated after the delay t_{RP} .

Burst Read with Auto-Precharge Interrupted by Read



If interrupting a Read Command with auto-precharge with a Write Command, DQM must be used to avoid DQ contention.

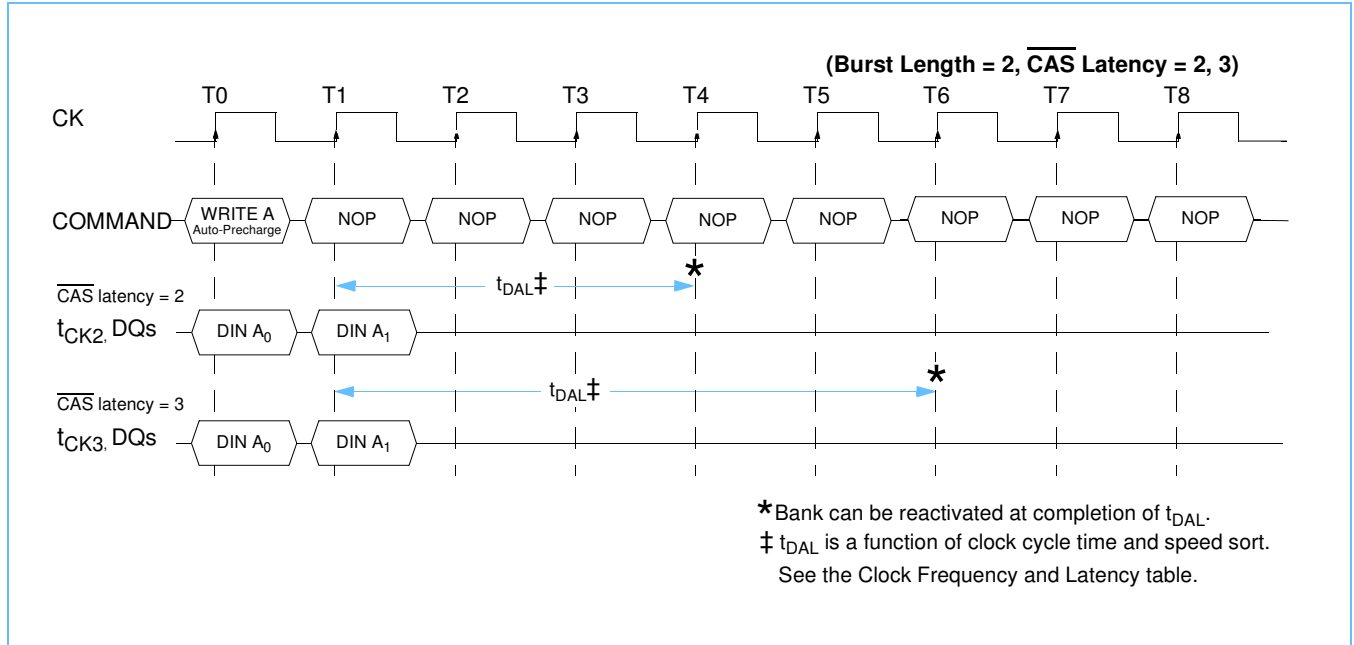
Burst Read with Auto-Precharge Interrupted by Write



256Mb Synchronous DRAM

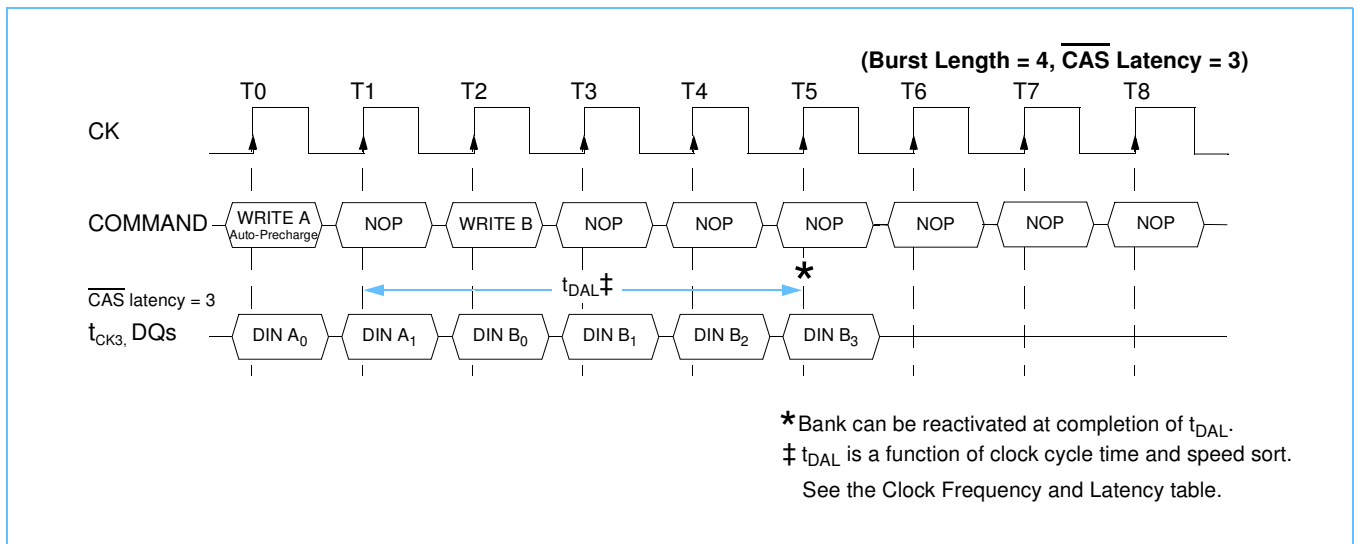
If A10 is high when a Write Command is issued, the Write with Auto-Precharge function is initiated. The bank undergoing auto-precharge cannot be reactivated until t_{DAL} . Data-in to Active delay, is satisfied.

Burst Write with Auto-Precharge

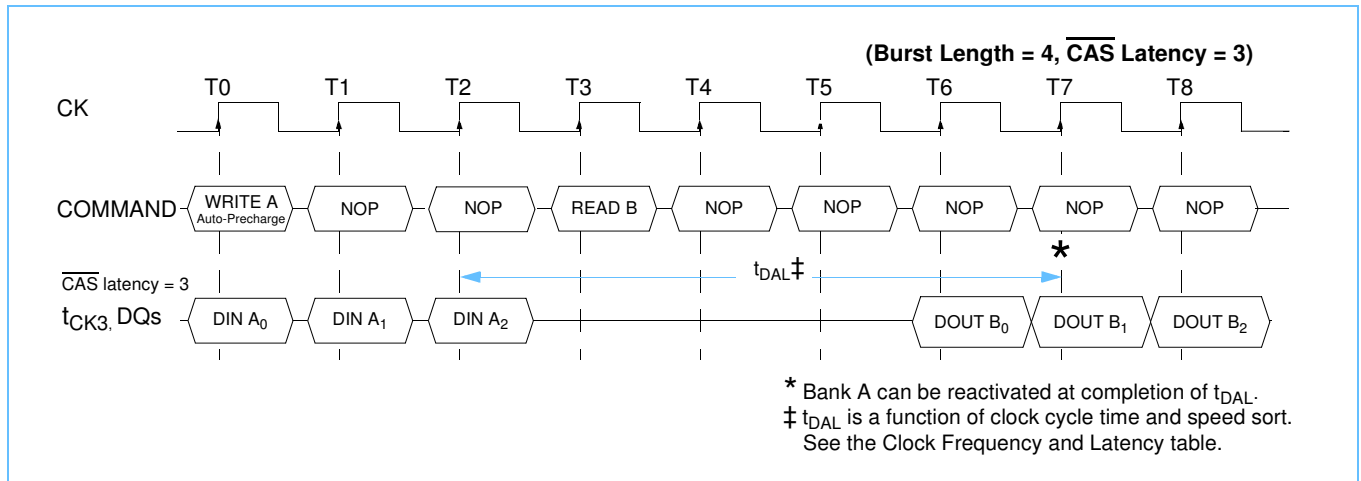


Similar to the Read Command, a Write Command with auto-precharge can not be interrupted by a command to the same bank. It can be interrupted by a Read or Write Command to a different bank, however. The interrupting command will terminate the write. The bank undergoing auto-precharge can not be reactivated until t_{DAL} is satisfied.

Burst Write with Auto-Precharge Interrupted by Write



Burst Write with Auto-Precharge Interrupted by Read



Precharge Command

The Precharge Command is used to precharge or close a bank that has been activated. The Precharge Command is triggered when $\overline{\text{CS}}$, $\overline{\text{RAS}}$, and $\overline{\text{WE}}$ are low and $\overline{\text{CAS}}$ is high at the rising edge of the clock. The Precharge Command can be used to precharge each bank separately or all banks simultaneously. Three address bits, A10, BA0, and BA1, are used to define which bank(s) is to be precharged when the command is issued.

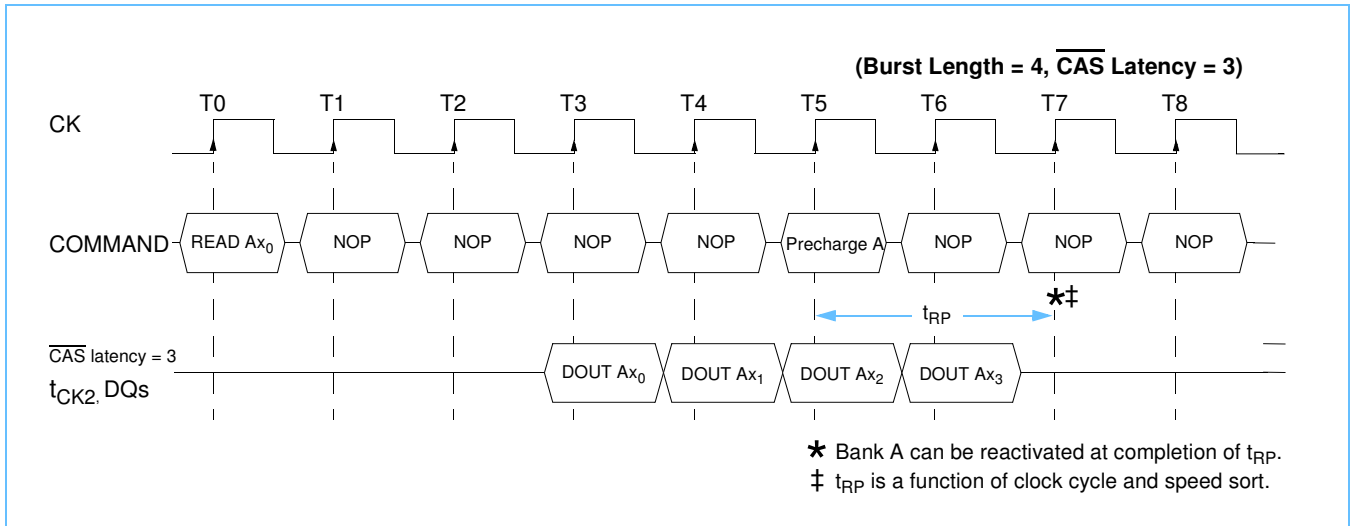
Bank Selection for Precharge by Address Bits

A10	Bank Select	Precharged Bank(s)
LOW	BA0, BA1	Single bank defined by BA0, BA1
HIGH	DON'T CARE	All Banks

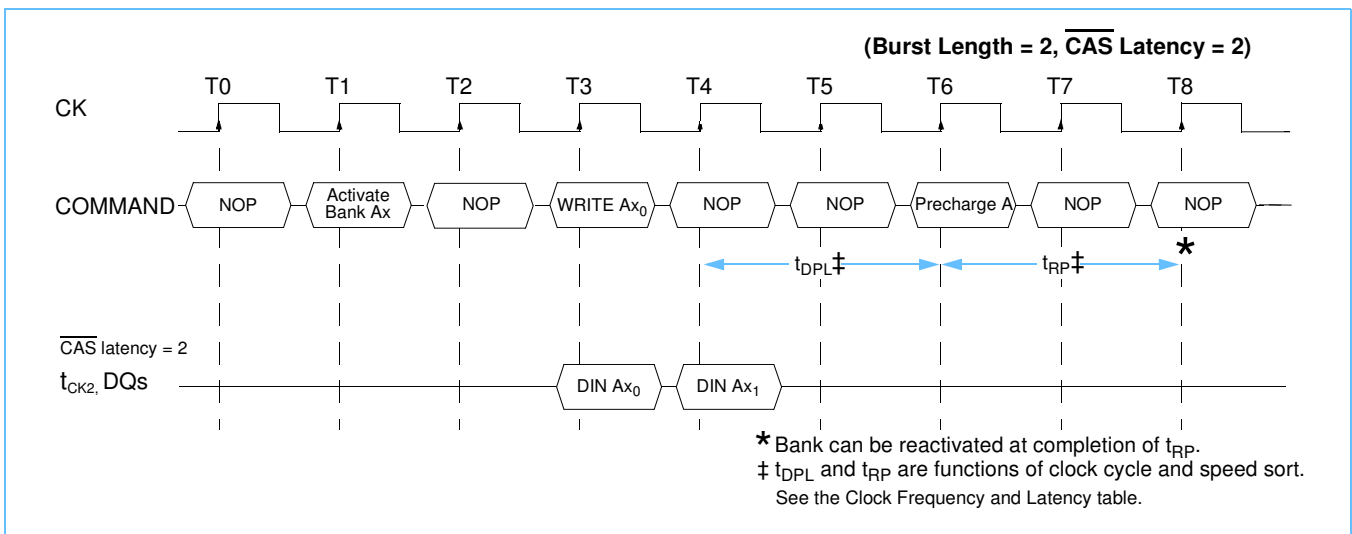
For read cycles, the Precharge Command may be applied ($\overline{\text{CAS}}$ latency - 1) prior to the last data output. For write cycles, a delay must be satisfied from the start of the last burst write cycle until the Precharge Command can be issued. This delay is known as t_{DPL} , Data-in to Precharge delay.

After the Precharge Command is issued, the precharged bank must be reactivated before a new read or write access can be executed. The delay between the Precharge Command and the Activate Command must be greater than or equal to the Precharge time (t_{RP}).

Burst Read Followed by the Precharge Command



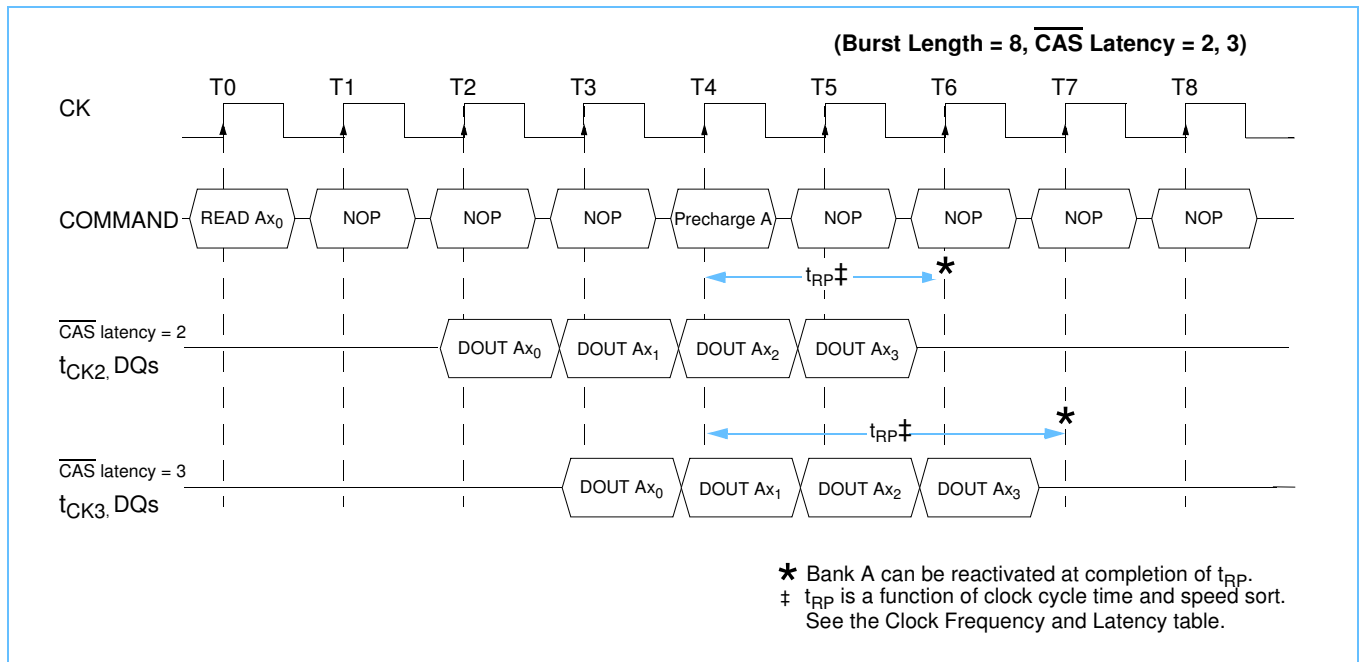
Burst Write Followed by the Precharge Command



Precharge Termination

The Precharge Command may be used to terminate either a burst read or burst write operation. When the Precharge command is issued, the burst operation is terminated and bank precharge begins. For burst read operations, valid data will continue to appear on the data bus as a function of $\overline{\text{CAS}}$ Latency.

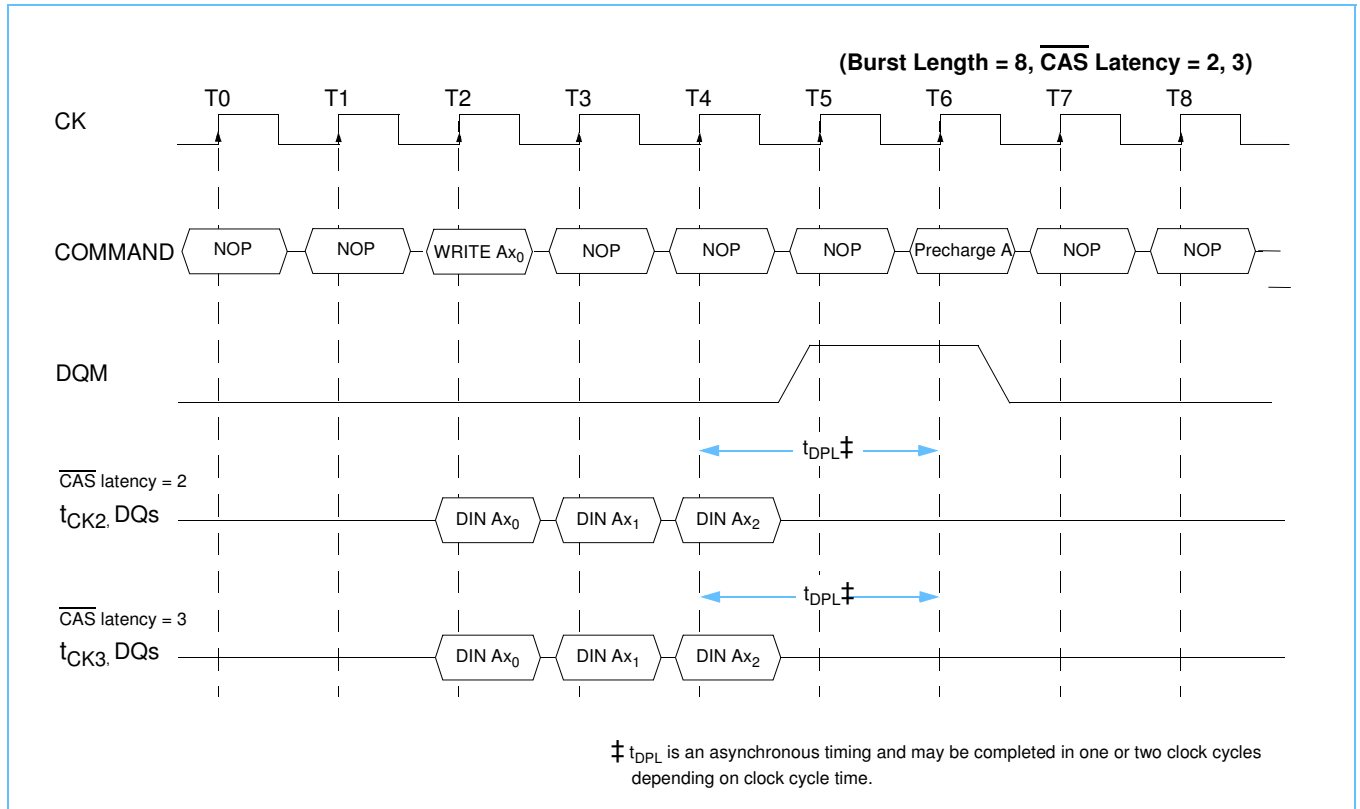
Burst Read Interrupted by Precharge



256Mb Synchronous DRAM

Burst write operations will be terminated by the Precharge command. The last write data that will be properly stored in the device is that write data that is presented to the device a number of clock cycles prior to the Precharge command equal to the Data-in to Precharge delay, t_{DPL} .

Precharge Termination of a Burst Write



Automatic Refresh Command ($\overline{\text{CAS}}$ before $\overline{\text{RAS}}$ Refresh)

When $\overline{\text{CS}}$, $\overline{\text{RAS}}$, and $\overline{\text{CAS}}$ are held low with $\overline{\text{CKE}}$ and $\overline{\text{WE}}$ high at the rising edge of the clock, the chip enters the Automatic Refresh mode (CBR). All banks of the SDRAM must be precharged and idle for a minimum of the Precharge time (t_{RP}) before the Auto Refresh Command (CBR) can be applied. An address counter, internal to the device provides the address during the refresh cycle. No control of the external address pins is required once this cycle has started.

When the refresh cycle has completed, all banks of the SDRAM will be in the precharged (idle) state. A delay between the Auto Refresh Command (CBR) and the next Activate Command or subsequent Auto Refresh Command must be greater than or equal to the $\overline{\text{RAS}}$ cycle time (t_{RC}).

Self Refresh Command

The SDRAM device has a built-in timer to accommodate Self Refresh operation. The Self Refresh Command is defined by having $\overline{\text{CS}}$, $\overline{\text{RAS}}$, $\overline{\text{CAS}}$, and $\overline{\text{CKE}}$ held low with $\overline{\text{WE}}$ high at the rising edge of the clock. All banks must be idle prior to issuing the Self Refresh Command. Once the command is registered, $\overline{\text{CKE}}$ must be held low to keep the device in Self Refresh mode. When the SDRAM has entered Self Refresh mode all of the external control signals, except $\overline{\text{CKE}}$, are disabled. The clock is internally disabled during Self Refresh Operation to save power. The user may halt the external clock while the device is in Self Refresh mode, however, the clock must be restarted before the device can exit Self Refresh operation. Once the clock is cycling, the device will exit Self Refresh operation after $\overline{\text{CKE}}$ is returned high. A minimum delay time is required when the device exits Self Refresh Operation and before the next command can be issued. This delay is equal to the $\overline{\text{RAS}}$ cycle time (t_{RC}) plus the Self Refresh exit time (t_{SREX}).

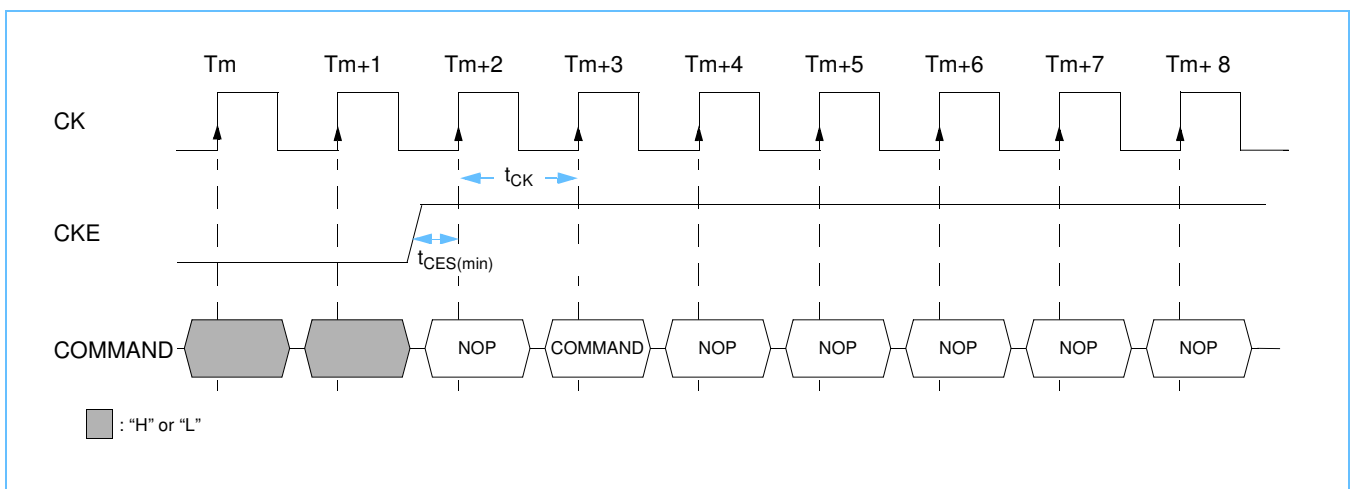
256Mb Synchronous DRAM

Power Down Mode

In order to reduce standby power consumption, two power down modes are available: Precharge and Active Power Down mode. To enter Precharge Power Down mode, all banks must be precharged and the necessary precharge delay (t_{RP}) must occur before the SDRAM can enter the power down mode. If a bank is activated but not performing a Read or Write operation, Active Power Down mode will be entered. (Issuing a Power Down Mode Command when the device is performing a Read or Write operation causes the device to enter Clock Suspend mode. See the following Clock Suspend section.) Once the Power Down mode is initiated by holding CKE low, all of the receiver circuits except CKE are gated off. The Power Down mode does not perform any refresh operations, therefore the device can't remain in Power Down mode longer than the Refresh period (t_{REF}) of the device.

The Power Down mode is exited by bringing CKE high. When CKE goes high, a No Operation Command (or Device Deselect Command) is required on the next rising clock edge.

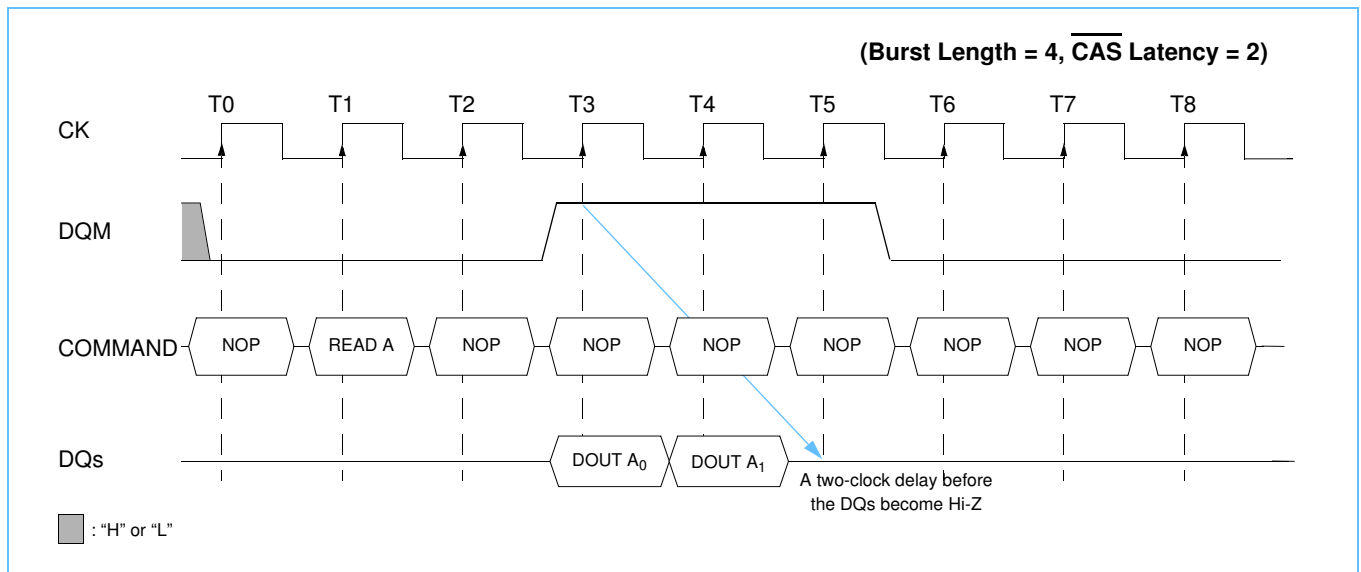
Power Down Mode Exit Timing



Data Mask

The SDRAM has a Data Mask function that can be used in conjunction with data read and write cycles. When the Data Mask is activated (DQM high) during a write cycle, the write operation is prohibited immediately (zero clock latency). If the Data Mask is activated during a read cycle, the data outputs are disabled and become high impedance after a two-clock delay, independent of $\overline{\text{CAS}}$ latency.

Data Mask Activated during a Read Cycle



No Operation Command

The No Operation Command should be used in cases when the SDRAM is in an idle or a wait state. The purpose of the No Operation Command is to prevent the SDRAM from registering any unwanted commands between operations. A No Operation Command is registered when $\overline{\text{CS}}$ is low with $\overline{\text{RAS}}$, $\overline{\text{CAS}}$, and $\overline{\text{WE}}$ held high at the rising edge of the clock. A No Operation Command will not terminate a previous operation that is still executing, such as a burst read or write cycle.

Deselect Command

The Deselect Command performs the same function as a No Operation Command. Deselect Command occurs when $\overline{\text{CS}}$ is brought high, the $\overline{\text{RAS}}$, $\overline{\text{CAS}}$, and $\overline{\text{WE}}$ signals become don't cares.

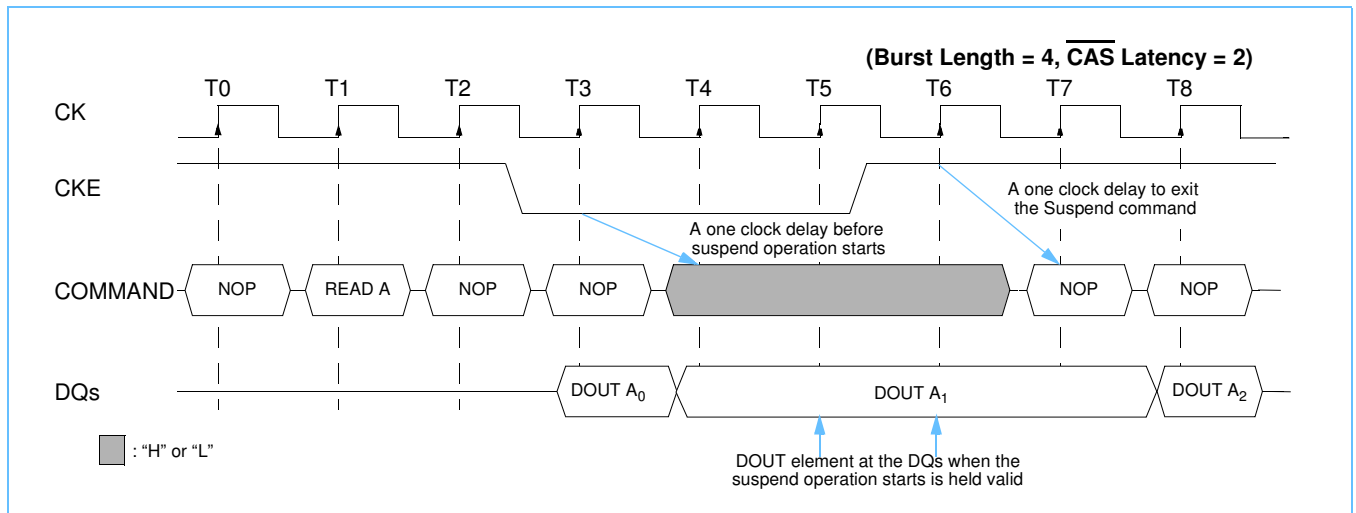
256Mb Synchronous DRAM

Clock Suspend Mode

During normal access mode, CKE is held high, enabling the clock. When CKE is registered low while at least one of the banks is active, Clock Suspend Mode is entered. The Clock Suspend mode deactivates the internal clock and suspends or “freezes” any clocked operation that was currently being executed. There is a one-clock delay between the registration of CKE low and the time at which the SDRAM’s operation suspends. While in Clock Suspend mode, the SDRAM ignores any new commands that are issued. The Clock Suspend mode is exited by bringing CKE high. There is a one clock cycle delay from when CKE returns high to when Clock Suspend mode is exited.

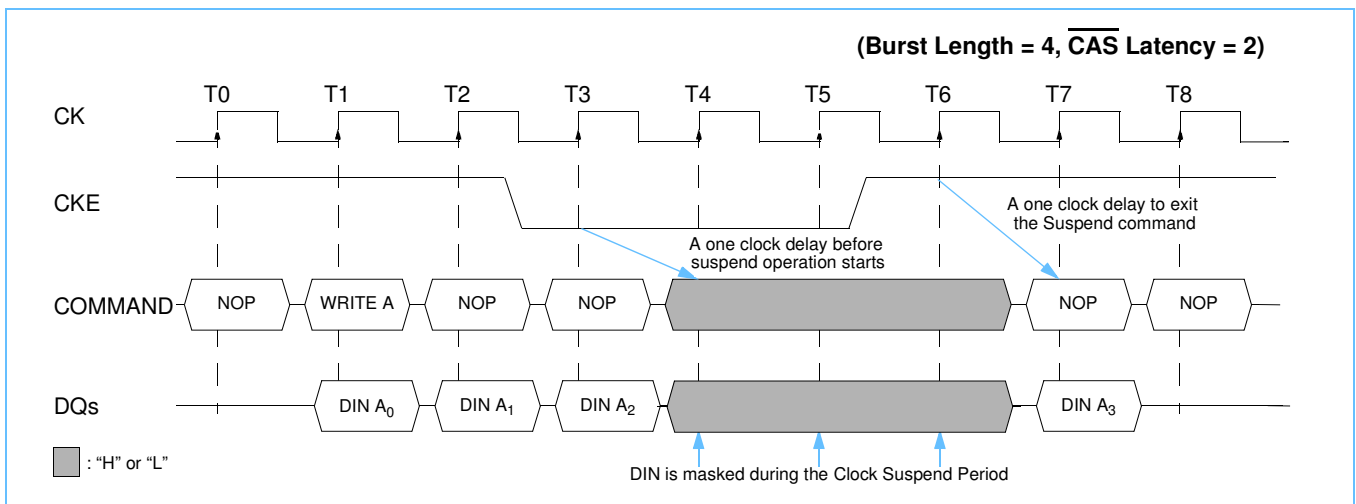
When the operation of the SDRAM is suspended during the execution of a Burst Read operation, the last valid data output onto the DQ pins will be actively held valid until Clock Suspend mode is exited.

Clock Suspend during a Read Cycle



If Clock Suspend mode is initiated during a burst write operation, the input data is masked and is ignored until the Clock Suspend mode is exited.

Clock Suspend during a Write Cycle



Command Truth Table (See note 1)

Function	Device State	CKE		\overline{CS}	\overline{RAS}	\overline{CAS}	\overline{WE}	DQM	BA0, BA1	A10	A12, A11, A9-A0	Notes
		Previous Cycle	Current Cycle									
Mode Register Set	Idle	H	X	L	L	L	L	X	OP Code			
Auto (CBR) Refresh	Idle	H	H	L	L	L	H	X	X	X	X	
Entry Self Refresh	Idle	H	L	L	L	L	H	X	X	X	X	
Exit Self Refresh	Idle (Self-Refresh)	L	H	H	X	X	X	X	X	X	X	
				L	H	H	H					
Single Bank Precharge	See Current State Table	H	X	L	L	H	L	X	BS	L	X	2
Precharge all Banks	See Current State Table	H	X	L	L	H	L	X	X	H	X	
Bank Activate	Idle	H	X	L	L	H	H	X	BS	Row Address		2
Write	Active	H	X	L	H	L	L	X	BS	L	Column	2
Write with Auto-Precharge	Active	H	X	L	H	L	L	X	BS	H	Column	2
Read	Active	H	X	L	H	L	H	X	BS	L	Column	2
Read with Auto-Precharge	Active	H	X	L	H	L	H	X	BS	H	Column	2
Burst Stop	Active	H	X	L	H	H	L	X	X	X	X	
No Operation	Any	H	X	L	H	H	H	X	X	X	X	
Device Deselect	Any	H	X	H	X	X	X	X	X	X	X	
Clock Suspend Mode Entry	Active	H	L	X	X	X	X	X	X	X	X	4
Clock Suspend Mode Exit	Active	L	H	X	X	X	X	X	X	X	X	
Data Write/Output Enable	Active	H	X	X	X	X	X	L	X	X	X	5
Data Mask/Output Disable	Active	H	X	X	X	X	X	H	X	X	X	
Power Down Mode Entry	Idle/Active	H	L	H	X	X	X	X	X	X	X	6, 7
				L	H	H	H					
Power Down Mode Exit	Any (Power Down)	L	H	H	X	X	X	X	X	X	X	6, 7
				L	H	H	H					

- All of the SDRAM operations are defined by states of \overline{CS} , \overline{WE} , \overline{RAS} , \overline{CAS} , and DQM at the positive rising edge of the clock. Refer to the Current State Truth Table.
- Bank Select (BA0, BA1): BA0, BA1 = 0,0 selects bank 0; BA0, BA1 = 1,0 selects bank 1; BA0, BA1 = 0,1 selects bank 2; BA0, BA1 = 1,1 selects bank 3.
- Not applicable.
- During normal access mode, CKE is held high and CK is enabled. When it is low, it freezes the internal clock and extends data Read and Write operations. One clock delay is required for mode entry and exit.
- The DQM has two functions for the data DQ Read and Write operations. During a Read cycle, when DQM goes high at a clock timing the data outputs are disabled and become high impedance after a two-clock delay. DQM also provides a data mask function for Write cycles. When it activates, the Write operation at the clock is prohibited (zero clock latency).
- All banks must be precharged before entering the Power Down Mode. (If this command is issued during a burst operation, the device state will be Clock Suspend Mode.) The Power Down Mode does not perform any refresh operations; therefore the device can't remain in this mode longer than the Refresh period (t_{REF}) of the device. One clock delay is required for mode entry and exit.
- A No Operation or Device Deselect Command is required on the next clock edge following CKE going high.

Clock Enable (CKE) Truth Table

Current State	CKE		Command						Action	Notes
	Previous Cycle	Current Cycle	\overline{CS}	\overline{RAS}	\overline{CAS}	\overline{WE}	BA0, BA1	A12 - A0		
Self Refresh	H	X	X	X	X	X	X	X	INVALID	1
	L	H	H	X	X	X	X	X	Exit Self Refresh with Device Deselect	2
	L	H	L	H	H	H	X	X	Exit Self Refresh with No Operation	2
	L	H	L	H	H	L	X	X	ILLEGAL	2
	L	H	L	H	L	X	X	X	ILLEGAL	2
	L	H	L	L	X	X	X	X	ILLEGAL	2
	L	L	X	X	X	X	X	X	Maintain Self Refresh	
Power Down	H	X	X	X	X	X	X	X	INVALID	1
	L	H	H	X	X	X	X	X	Power Down mode exit, all banks idle	2
	L	H	L	X	X	X	X	X	ILLEGAL	2
	L	L	X	X	X	X	X	X	Maintain Power Down Mode	
All Banks Idle	H	H	H	X	X	X			Refer to the Idle State section of the Current State Truth Table	3
	H	H	L	H	X	X				3
	H	H	L	L	H	X				3
	H	H	L	L	L	H	X	X	CBR Refresh	
	H	H	L	L	L	L	OP Code		Mode Register Set	4
	H	L	H	X	X	X			Refer to the Idle State section of the Current State Truth Table	3
	H	L	L	H	X	X				3
	H	L	L	L	H	X				3
	H	L	L	L	L	H	X	X	Entry Self Refresh	4
	H	L	L	L	L	L	OP Code		Mode Register Set	
L	X	X	X	X	X	X	X	Power Down	4	
Any State other than listed above	H	H	X	X	X	X	X	X	Refer to operations in the Current State Truth Table	
	H	L	X	X	X	X	X	X		Begin Clock Suspend next cycle
	L	H	X	X	X	X	X	X	Exit Clock Suspend next cycle	
	L	L	X	X	X	X	X	X	Maintain Clock Suspend	

- For the given Current State CKE must be low in the previous cycle.
- When CKE has a low to high transition, the clock and other inputs are re-enabled asynchronously. The minimum setup time for CKE (t_{CES}) must be satisfied. When exiting power down mode, a NOP command (or Device Deselect Command) is required on the first rising clock after CKE goes high (see page 26).
- The address inputs depend on the command that is issued. See the Idle State section of the Current State Truth Table for more information.
- The Precharge Power Down Mode, the Self Refresh Mode, and the Mode Register Set can only be entered from the all banks idle state.
- Must be a legal command as defined in the Current State Truth Table.

Current State Truth Table (Part 1 of 3)(See note 1)

Current State	Command							Action	Notes	
	CS	RAS	CAS	WE	BA0,BA1	A12 - A0	Description			
Idle	L	L	L	L			OP Code	Mode Register Set	Set the Mode Register	2
	L	L	L	H	X	X		Auto or Self Refresh	Start Auto or Self Refresh	2, 3
	L	L	H	L	BS	X		Precharge	No Operation	
	L	L	H	H	BS		Row Address	Bank Activate	Activate the specified bank and row	
	L	H	L	L	BS		Column	Write w/o Precharge	ILLEGAL	4
	L	H	L	H	BS		Column	Read w/o Precharge	ILLEGAL	4
	L	H	H	L	X	X		Burst Stop	ILLEGAL	
	L	H	H	H	X	X		No Operation	No Operation	
	H	X	X	X	X	X		Device Deselect	No Operation or Power Down	5
Row Active	L	L	L	L			OP Code	Mode Register Set	ILLEGAL	
	L	L	L	H	X	X		Auto or Self Refresh	ILLEGAL	
	L	L	H	L	BS	X		Precharge	Precharge	6
	L	L	H	H	BS		Row Address	Bank Activate	ILLEGAL	4
	L	H	L	L	BS		Column	Write	Start Write; Determine if Auto Precharge	7, 8
	L	H	L	H	BS		Column	Read	Start Read; Determine if Auto Precharge	7, 8
	L	H	H	L	X	X		Burst Stop	ILLEGAL	
	L	H	H	H	X	X		No Operation	No Operation	
	H	X	X	X	X	X		Device Deselect	No Operation	
Read	L	L	L	L			OP Code	Mode Register Set	ILLEGAL	
	L	L	L	H	X	X		Auto or Self Refresh	ILLEGAL	
	L	L	H	L	BS	X		Precharge	Terminate Burst; Start the Precharge	
	L	L	H	H	BS		Row Address	Bank Activate	ILLEGAL	4
	L	H	L	L	BS		Column	Write	Terminate Burst; Start the Write cycle	8, 9
	L	H	L	H	BS		Column	Read	Terminate Burst; Start a new Read cycle	8, 9
	L	H	H	L	X	X		Burst Stop	Burst Stop	
	L	H	H	H	X	X		No Operation	Continue the Burst	
	H	X	X	X	X	X		Device Deselect	Continue the Burst	
Write	L	L	L	L			OP Code	Mode Register Set	ILLEGAL	
	L	L	L	H	X	X		Auto or Self Refresh	ILLEGAL	
	L	L	H	L	BS	X		Precharge	Terminate Burst; Start the Precharge	
	L	L	H	H	BS		Row Address	Bank Activate	ILLEGAL	4
	L	H	L	L	BS		Column	Write	Terminate Burst; Start a new Write cycle	8, 9
	L	H	L	H	BS		Column	Read	Terminate Burst; Start the Read cycle	8, 9
	L	H	H	L	X	X		Burst Stop	Burst Stop	
	L	H	H	H	X	X		No Operation	Continue the Burst	
	H	X	X	X	X	X		Device Deselect	Continue the Burst	

1. CKE is assumed to be active (high) in the previous cycle for all entries. The Current State is the state of the bank that the Command is being applied to.
2. All Banks must be idle; otherwise, it is an illegal action.
3. If CKE is active (high) the SDRAM will start the Auto (CBR) Refresh operation, if CKE is inactive (low) than the Self Refresh mode is entered.
4. The Current State refers to only one of the banks. If BS selects this bank then the action is illegal. If BS selects the bank not being referenced by the Current State then the action may be legal depending on the state of that bank.
5. If CKE is inactive (low) then the Power Down mode is entered; otherwise there is a No Operation.
6. The minimum and maximum Active time (t_{RAS}) must be satisfied.
7. The RAS to CAS Delay (t_{RCD}) must occur before the command is given.
8. Column address A10 is used to determine if the Auto Precharge function is activated.
9. The command must satisfy any bus contention, bus turn around, and/or write recovery requirements.
10. The command is illegal if the minimum bank to bank delay time (t_{RRD}) is not satisfied.

256Mb Synchronous DRAM

Current State Truth Table (Part 2 of 3)(See note 1)

Current State	Command						Description	Action	Notes
	CS	RAS	CAS	WE	BA0,BA1	A12 - A0			
Read with Auto Pre-charge	L	L	L	L	OP Code		Mode Register Set	ILLEGAL	
	L	L	L	H	X	X	Auto or Self Refresh	ILLEGAL	
	L	L	H	L	BS	X	Precharge	ILLEGAL	4
	L	L	H	H	BS	Row Address	Bank Activate	ILLEGAL	4
	L	H	L	L	BS	Column	Write	ILLEGAL	4
	L	H	L	H	BS	Column	Read	ILLEGAL	4
	L	H	H	L	X	X	Burst Stop	ILLEGAL	
	L	H	H	H	X	X	No Operation	Continue the Burst	
Write with Auto Precharge	H	X	X	X	X	X	Device Deselect	Continue the Burst	
	L	L	L	L	OP Code		Mode Register Set	ILLEGAL	
	L	L	L	H	X	X	Auto or Self Refresh	ILLEGAL	
	L	L	H	L	BS	X	Precharge	ILLEGAL	4
	L	L	H	H	BS	Row Address	Bank Activate	ILLEGAL	4
	L	H	L	L	BS	Column	Write	ILLEGAL	4
	L	H	L	H	BS	Column	Read	ILLEGAL	4
	L	H	H	L	X	X	Burst Stop	ILLEGAL	
Precharging	L	H	H	H	X	X	No Operation	Continue the Burst	
	H	X	X	X	X	X	Device Deselect	Continue the Burst	
	L	L	L	L	OP Code		Mode Register Set	ILLEGAL	
	L	L	L	H	X	X	Auto or Self Refresh	ILLEGAL	
	L	L	H	L	BS	X	Precharge	No Operation; Bank(s) idle after t_{RP}	
	L	L	H	H	BS	Row Address	Bank Activate	ILLEGAL	4
	L	H	L	L	BS	Column	Write	ILLEGAL	4
	L	H	L	H	BS	Column	Read	ILLEGAL	4
Row Activating	L	H	H	L	X	X	Burst Stop	ILLEGAL	
	L	H	H	H	X	X	No Operation	No Operation; Bank(s) idle after t_{RP}	
	H	X	X	X	X	X	Device Deselect	No Operation; Bank(s) idle after t_{RP}	
	L	L	L	L	OP Code		Mode Register Set	ILLEGAL	
	L	L	L	H	X	X	Auto or Self Refresh	ILLEGAL	
	L	L	H	L	BS	X	Precharge	ILLEGAL	4
	L	L	H	H	BS	Row Address	Bank Activate	ILLEGAL	4, 10
	L	H	L	L	BS	Column	Write	ILLEGAL	4
	L	H	L	H	BS	Column	Read	ILLEGAL	4
	L	H	H	L	X	X	Burst Stop	ILLEGAL	
	L	H	H	H	X	X	No Operation	No Operation; Row Active after t_{RCD}	
	H	X	X	X	X	X	Device Deselect	No Operation; Row Active after t_{RCD}	

1. CKE is assumed to be active (high) in the previous cycle for all entries. The Current State is the state of the bank that the Command is being applied to.
2. All Banks must be idle; otherwise, it is an illegal action.
3. If CKE is active (high) the SDRAM will start the Auto (CBR) Refresh operation, if CKE is inactive (low) than the Self Refresh mode is entered.
4. The Current State refers to only one of the banks. If BS selects this bank then the action is illegal. If BS selects the bank not being referenced by the Current State then the action may be legal depending on the state of that bank.
5. If CKE is inactive (low) then the Power Down mode is entered; otherwise there is a No Operation.
6. The minimum and maximum Active time (t_{RAS}) must be satisfied.
7. The RAS to CAS Delay (t_{RCD}) must occur before the command is given.
8. Column address A10 is used to determine if the Auto Precharge function is activated.
9. The command must satisfy any bus contention, bus turn around, and/or write recovery requirements.
10. The command is illegal if the minimum bank to bank delay time (t_{RRD}) is not satisfied.

Current State Truth Table (Part 3 of 3)(See note 1)

Current State	Command							Action	Notes
	CS	RAS	CAS	WE	BA0,BA1	A12 - A0	Description		
Write Recovering	L	L	L	L		OP Code	Mode Register Set	ILLEGAL	
	L	L	L	H	X	X	Auto or Self Refresh	ILLEGAL	
	L	L	H	L	BS	X	Precharge	ILLEGAL	4
	L	L	H	H	BS	Row Address	Bank Activate	ILLEGAL	4
	L	H	L	L	BS	Column	Write	Start Write; Determine if Auto Precharge	9
	L	H	L	H	BS	Column	Read	Start Read; Determine if Auto Precharge	9
	L	H	H	H	X	X	No Operation	No Operation; Row Active after t_{DPL}	
	H	X	X	X	X	X	Device Deselect	No Operation; Row Active after t_{DPL}	
Write Recovering with Auto Pre-charge	L	L	L	L		OP Code	Mode Register Set	ILLEGAL	
	L	L	L	H	X	X	Auto or Self Refresh	ILLEGAL	
	L	L	H	L	BS	X	Precharge	ILLEGAL	4
	L	L	H	H	BS	Row Address	Bank Activate	ILLEGAL	4
	L	H	L	L	BS	Column	Write	ILLEGAL	4, 9
	L	H	L	H	BS	Column	Read	ILLEGAL	4, 9
	L	H	H	H	X	X	No Operation	No Operation; Precharge after t_{DPL}	
	H	X	X	X	X	X	Device Deselect	No Operation; Precharge after t_{DPL}	
Refreshing	L	L	L	L		OP Code	Mode Register Set	ILLEGAL	
	L	L	L	H	X	X	Auto or Self Refresh	ILLEGAL	
	L	L	H	L	BS	X	Precharge	ILLEGAL	
	L	L	H	H	BS	Row Address	Bank Activate	ILLEGAL	
	L	H	L	L	BS	Column	Write	ILLEGAL	
	L	H	L	H	BS	Column	Read	ILLEGAL	
	L	H	H	H	X	X	No Operation	No Operation; Idle after t_{RC}	
	H	X	X	X	X	X	Device Deselect	No Operation; Idle after t_{RC}	
Mode Register Accessing	L	L	L	L		OP Code	Mode Register Set	ILLEGAL	
	L	L	L	H	X	X	Auto or Self Refresh	ILLEGAL	
	L	L	H	L	BS	X	Precharge	ILLEGAL	
	L	L	H	H	BS	Row Address	Bank Activate	ILLEGAL	
	L	H	L	L	BS	Column	Write	ILLEGAL	
	L	H	L	H	BS	Column	Read	ILLEGAL	
	L	H	H	H	X	X	No Operation	No Operation; Idle after two clock cycles	
	H	X	X	X	X	X	Device Deselect	No Operation; Idle after two clock cycles	

1. CKE is assumed to be active (high) in the previous cycle for all entries. The Current State is the state of the bank that the Command is being applied to.
2. All Banks must be idle; otherwise, it is an illegal action.
3. If CKE is active (high) the SDRAM will start the Auto (CBR) Refresh operation, if CKE is inactive (low) than the Self Refresh mode is entered.
4. The Current State refers to only one of the banks. If BS selects this bank then the action is illegal. If BS selects the bank not being referenced by the Current State then the action may be legal depending on the state of that bank.
5. If CKE is inactive (low) then the Power Down mode is entered; otherwise there is a No Operation.
6. The minimum and maximum Active time (t_{RAS}) must be satisfied.
7. The \overline{RAS} to \overline{CAS} Delay (t_{RCD}) must occur before the command is given.
8. Column address A10 is used to determine if the Auto Precharge function is activated.
9. The command must satisfy any bus contention, bus turn around, and/or write recovery requirements.
10. The command is illegal if the minimum bank to bank delay time (t_{RRD}) is not satisfied.

Absolute Maximum Ratings

Symbol	Parameter	Rating	Units	Notes
V_{DD}	Power Supply Voltage	-0.3 to +4.6	V	1
V_{DDQ}	Power Supply Voltage for Output	-0.3 to +4.6	V	1
V_{IN}	Input Voltage	-0.3 to $V_{DD}+0.3$	V	1
V_{OUT}	Output Voltage	-0.3 to $V_{DD}+0.3$	V	1
T_A	Operating Temperature (ambient)	-40 to +85	°C	1
T_{STG}	Storage Temperature	-55 to +125	°C	1
P_D	Power Dissipation	1.0	W	1
I_{OUT}	Short Circuit Output Current	50	mA	1

1. Stresses greater than those listed under “Absolute Maximum Ratings” may cause permanent damage to the device. This is a stress rating only and functional operation of the device at these or any other conditions above those indicated in the operational sections of this specification is not implied. Exposure to absolute maximum rating conditions for extended periods may affect reliability.

Recommended DC Operating Conditions ($T_A = -40^{\circ}\text{C}$ to 85°C)

Symbol	Parameter	Rating			Units	Notes
		Min.	Typ.	Max.		
V_{DD}	Supply Voltage	3.0	3.3	3.6	V	1
V_{DDQ}	Supply Voltage for Output	3.0	3.3	3.6	V	1
V_{IH}	Input High Voltage	2.0	—	$V_{DD} + 0.3$	V	1, 2
V_{IL}	Input Low Voltage	-0.3	—	0.8	V	1, 3

1. All voltages referenced to V_{SS} and V_{SSQ} .
 2. V_{IH} (max) = $V_{DD} + 1.2\text{V}$ for pulse width $\leq 5\text{ns}$.
 3. V_{IL} (min) = $V_{SS} - 1.2\text{V}$ for pulse width $\leq 5\text{ns}$.

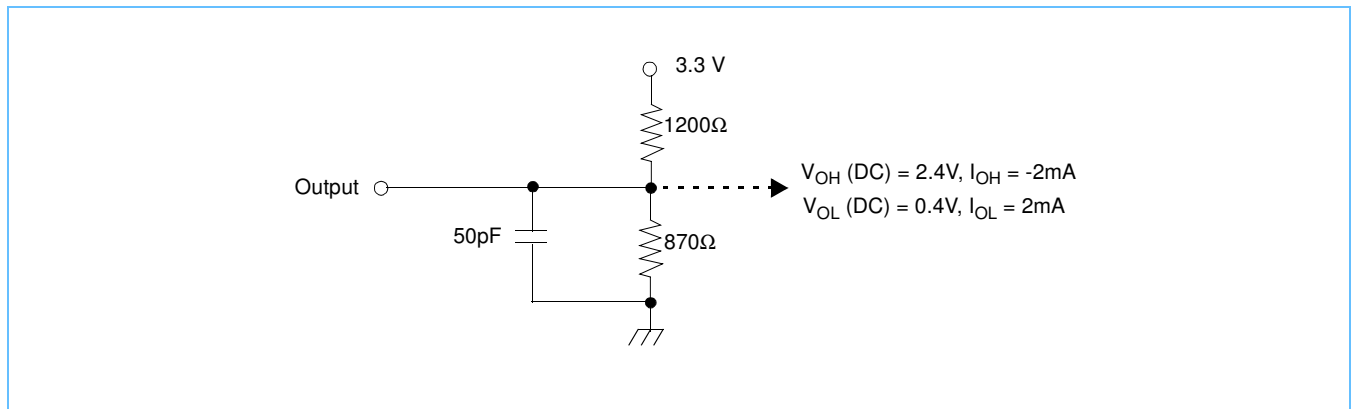
Capacitance ($T_A = 25^{\circ}\text{C}$, $f = 1\text{MHz}$, $V_{DD} = 3.3\text{V} \pm 0.3\text{V}$)

Symbol	Parameter	Min.	Typ	Max.	Units	Notes
C_I	Input Capacitance (A0-A12, BA0, BA1, $\overline{\text{CS}}$, $\overline{\text{RAS}}$, $\overline{\text{CAS}}$, $\overline{\text{WE}}$, $\overline{\text{CKE}}$, $\overline{\text{DQM}}$)	2.5	3.0	3.8	pF	
	Input Capacitance (CK)	2.5	2.8	3.5	pF	
C_O	Output Capacitance (DQ0 - DQ15)	4.0	4.5	6.5	pF	

DC Electrical Characteristics ($T_A = -40$ to $+85^\circ\text{C}$, $V_{DD} = 3.3\text{V} \pm 0.3\text{V}$)

Symbol	Parameter	Min.	Max.	Units
$I_{I(L)}$	Input Leakage Current, any input ($0.0\text{V} \leq V_{IN} \leq V_{DD}$), All Other Pins Not Under Test = 0V	-1	+1	μA
$I_{O(L)}$	Output Leakage Current (D_{OUT} is disabled, $0.0\text{V} \leq V_{OUT} \leq V_{DDQ}$)	-1	+1	μA
V_{OH}	Output Level (LVTTL) Output "H" Level Voltage ($I_{OUT} = -2.0\text{mA}$)	2.4	—	V
V_{OL}	Output Level (LVTTL) Output "L" Level Voltage ($I_{OUT} = +2.0\text{mA}$)	—	0.4	V

DC Output Load Circuit



256Mb Synchronous DRAM

Operating, Standby, and Refresh Currents

($T_A = -40$ to $+85^\circ\text{C}$, $V_{DD} = 3.3\text{V} \pm 0.3\text{V}$)

Parameter	Symbol	Test Condition	Speed		Units	Notes
			-6K/6KI	-75B/75BI		
Operating Current	I_{CC1}	1 bank operation $t_{RC} = t_{RC}(\text{min})$, $t_{CK} = \text{min}$ Active-Precharge command cycling without burst operation	85	80	mA	1, 2, 3
Precharge Standby Current in Power Down Mode	I_{CC2P}	$\overline{CKE} \leq V_{IL}(\text{max})$, $t_{CK} = \text{min}$, $\overline{CS} = V_{IH}(\text{min})$	2	2	mA	1
	I_{CC2PS}	$\overline{CKE} \leq V_{IL}(\text{max})$, $t_{CK} = \text{Infinity}$, $\overline{CS} = V_{IH}(\text{min})$	2	2	mA	1
Precharge Standby Current in Non-Power Down Mode	I_{CC2N}	$\overline{CKE} \geq V_{IH}(\text{min})$, $t_{CK} = \text{min}$, $\overline{CS} = V_{IH}(\text{min})$	18	15	mA	1, 5
	I_{CC2NS}	$\overline{CKE} \geq V_{IH}(\text{min})$, $t_{CK} = \text{Infinity}$,	8	6	mA	1, 7
No Operating Current (Active state: 4 bank)	I_{CC3N}	$\overline{CKE} \geq V_{IH}(\text{min})$, $t_{CK} = \text{min}$, $\overline{CS} = V_{IH}(\text{min})$	30	25	mA	1, 5
	I_{CC3P}	$\overline{CKE} \leq V_{IL}(\text{max})$, $t_{CK} = \text{min}$,	3	2	mA	1, 6
Operating Current (Burst Mode)	I_{CC4}	$t_{CK} = \text{min}$, Read/ Write command cycling, Multiple banks active, gapless data, BL = 4	90	80	mA	1, 3, 4
Auto (CBR) Refresh Current	I_{CC5}	$t_{CK} = \text{min}$, $t_{RC} = t_{RC}(\text{min})$ CBR command cycling	210	180	mA	1
Self Refresh Current	I_{CC6}	$\overline{CKE} \leq 0.2\text{V}$	3	3	mA	1

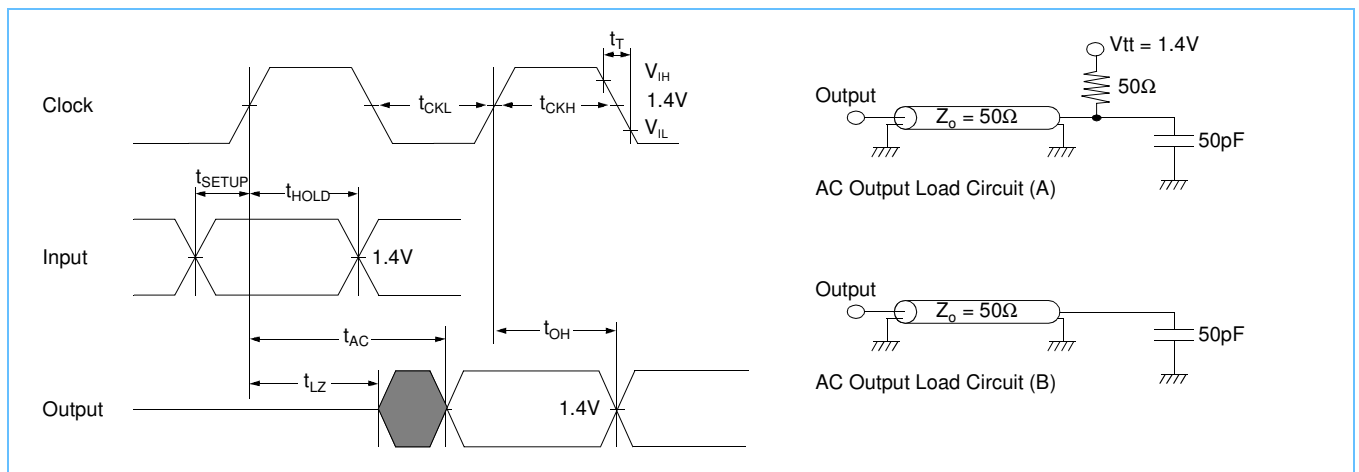
1. Currents given are valid for a single device. .
2. These parameters depend on the cycle rate and are measured with the cycle determined by the minimum value of t_{CK} and t_{RC} . Input signals are changed up to three times during $t_{RC}(\text{min})$.
3. The specified values are obtained with the output open.
4. Input signals are changed once during $t_{CK}(\text{min})$.
5. Input signals are changed once during three clock cycles.
6. Active Standby Current will be higher if Clock Suspend is entered during a burst read cycle (add 1mA per DQ).
7. Input signals are stable.

256Mb Synchronous DRAM

AC Characteristics ($T_A = -40$ to $+85^\circ\text{C}$, $V_{DD} = 3.3\text{V} \pm 0.3\text{V}$)

1. An initial pause of $200\mu\text{s}$, with DQM and CKE held high, is required after power-up. A Precharge All Banks command must be given followed by a minimum of two Auto (CBR) Refresh cycles before or after the Mode Register Set operation.
2. The Transition time is measured between V_{IH} and V_{IL} (or between V_{IL} and V_{IH})
3. In addition to meeting the transition rate specification, the clock and CKE must transit between V_{IH} and V_{IL} (or between V_{IL} and V_{IH}) in a monotonic manner.
4. Load Circuit A: AC timing tests have $V_{IL} = 0.4\text{V}$ and $V_{IH} = 2.4\text{V}$ with the timing referenced to the 1.40V crossover point
5. Load Circuit A: AC measurements assume $t_T = 1.0\text{ns}$.
6. Load Circuit B: AC timing tests have $V_{IL} = 0.8\text{V}$ and $V_{IH} = 2.0\text{V}$ with the timing referenced to the 1.40V crossover point
7. Load Circuit B: AC measurements assume $t_T = 1.2\text{ns}$.

AC Characteristics Diagrams



Clock and Clock Enable Parameters

Symbol	Parameter	-6K/6KI		-75B/75Bi		Units	Notes
		Min.	Max.	Min.	Max.		
t_{CK3}	Clock Cycle Time, CAS Latency = 3	6.0	1000	7.5	1000	ns	
t_{CK2}	Clock Cycle Time, CAS Latency = 2	7.5	—	10	—	ns	
$t_{AC3(A)}$	Clock Access Time, CAS Latency = 3	—	—	—	—	ns	1
$t_{AC2(A)}$	Clock Access Time, CAS Latency = 2	—	—	—	—	ns	1
$t_{AC3(B)}$	Clock Access Time, CAS Latency = 3	—	5	—	5.4	ns	2
$t_{AC2(B)}$	Clock Access Time, CAS Latency = 2	—	5.4	—	6	ns	2
t_{CKH}	Clock High Pulse Width	2	—	2.5	—	ns	
t_{CKL}	Clock Low Pulse Width	2	—	2.5	—	ns	
t_{CES}	Clock Enable Set-up Time	1.5	—	1.5	—	ns	
t_{CEH}	Clock Enable Hold Time	0.8	—	0.8	—	ns	
t_{SB}	Power down mode Entry Time	0	6	0	7.5	ns	
t_T	Transition Time (Rise and Fall)	0.3	8	0.5	10	ns	

1. Access time is measured at 1.4V. See AC Characteristics: notes 1, 2, 3, 4, 5 and load circuit A.
2. Access time is measured at 1.4V. See AC Characteristics: notes 1, 2, 3, 6, 7 and load circuit B.

Common Parameters

Symbol	Parameter	-6K/6KI		-75B/75Bi		Units	Notes
		Min.	Max.	Min.	Max.		
t_{CS}	Command Setup Time	1.5	—	1.5	—	ns	
t_{CH}	Command Hold Time	0.8	—	0.8	—	ns	
t_{AS}	Address and Bank Select Set-up Time	1.5	—	1.5	—	ns	
t_{AH}	Address and Bank Select Hold Time	0.8	—	0.8	—	ns	
t_{RCD}	\overline{RAS} to \overline{CAS} Delay	16	—	20	—	ns	1
t_{RC}	Bank Cycle Time	54	—	67.5	—	ns	1
t_{RAS}	Active Command Period	36	100K	45	100K	ns	1
t_{RP}	Precharge Time	16	—	20	—	ns	1
t_{RRD}	Bank to Bank Delay Time	12	—	15	—	ns	1
t_{CCD}	\overline{CAS} to \overline{CAS} Delay Time	1	—	1	—	CK	

1. These parameters account for the number of clock cycle and depend on the operating frequency of the clock, as follows:
 the number of clock cycles = specified value of timing / clock period (count fractions as a whole number).

Mode Register Set Cycle

Symbol	Parameter	-6K/6KI		-75B/75Bi		Units
		Min.	Max.	Min.	Max.	
t_{RSC}	Mode Register Set Cycle Time	12	—	15	—	ns

Read Cycle

Symbol	Parameter	-6K/6KI		-75B/75BI		Units	Notes
		Min.	Max.	Min.	Max.		
t_{OH}	Data Out Hold Time	—	—	—	—	ns	1
		2.5	—	2.7	—	ns	2, 4
t_{LZ}	Data Out to Low Impedance Time	0	—	0	—	ns	
t_{HZ}	Data Out to High Impedance Time	3	6	3	7	ns	3
t_{DQZ}	DQM Data Out Disable Latency	2	—	2	—	CK	

1. AC Output Load Circuit A.
2. AC Output Load Circuit B.
3. Referenced to the time at which the output achieves the open circuit condition, not to output voltage levels.
4. Data Out Hold Time with no load must meet 1.8ns (-75H, -75D, -75A).

Refresh Cycle

Symbol	Parameter	-6K/6KI		-75B/75BI		Units	Notes
		Min.	Max.	Min.	Max.		
t_{REF}	Refresh Period	—	64	—	64	ms	1
t_{SREX}	Self Refresh Exit Time	1	—	1	—	CK	

1. 8192 auto refresh cycles.

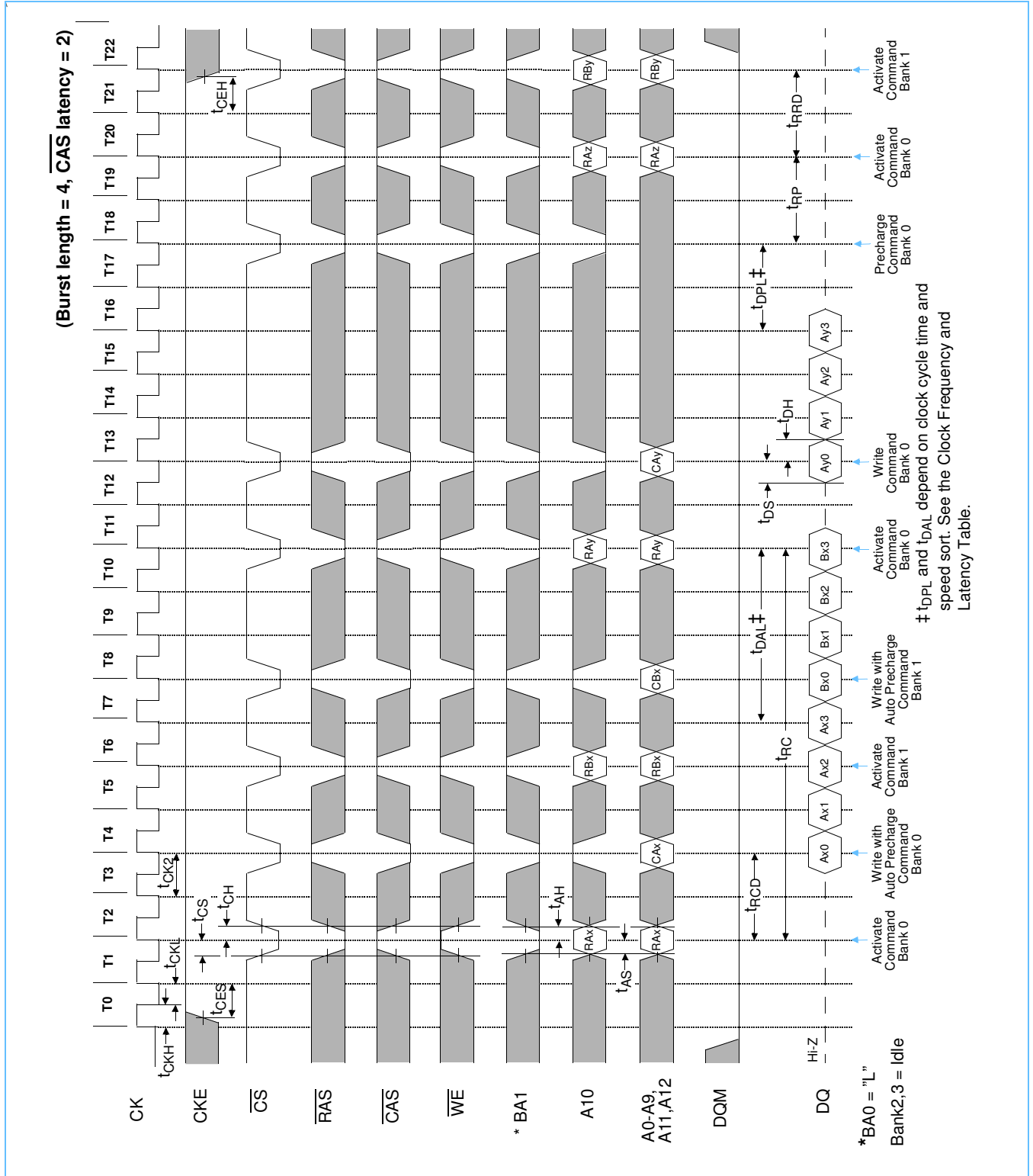
Write Cycle

Symbol	Parameter	-6K/6KI		-75B/75BI		Units
		Min.	Max.	Min.	Max.	
t_{DS}	Data In Set-up Time	1.5	—	1.5	—	ns
t_{DH}	Data In Hold Time	0.8	—	0.8	—	ns
t_{DPL}	Data input to Precharge	12	—	15	—	ns
t_{WR}	Write Recovery Time	12	—	15	—	ns
t_{DAL3}	Data In to Active Delay CAS Latency = 3	5	—	5	—	CK
t_{DAL2}	Data In to Active Delay CAS Latency = 2	4	—	4	—	CK
t_{DQW}	DQM Write Mask Latency	0	—	0	—	CK

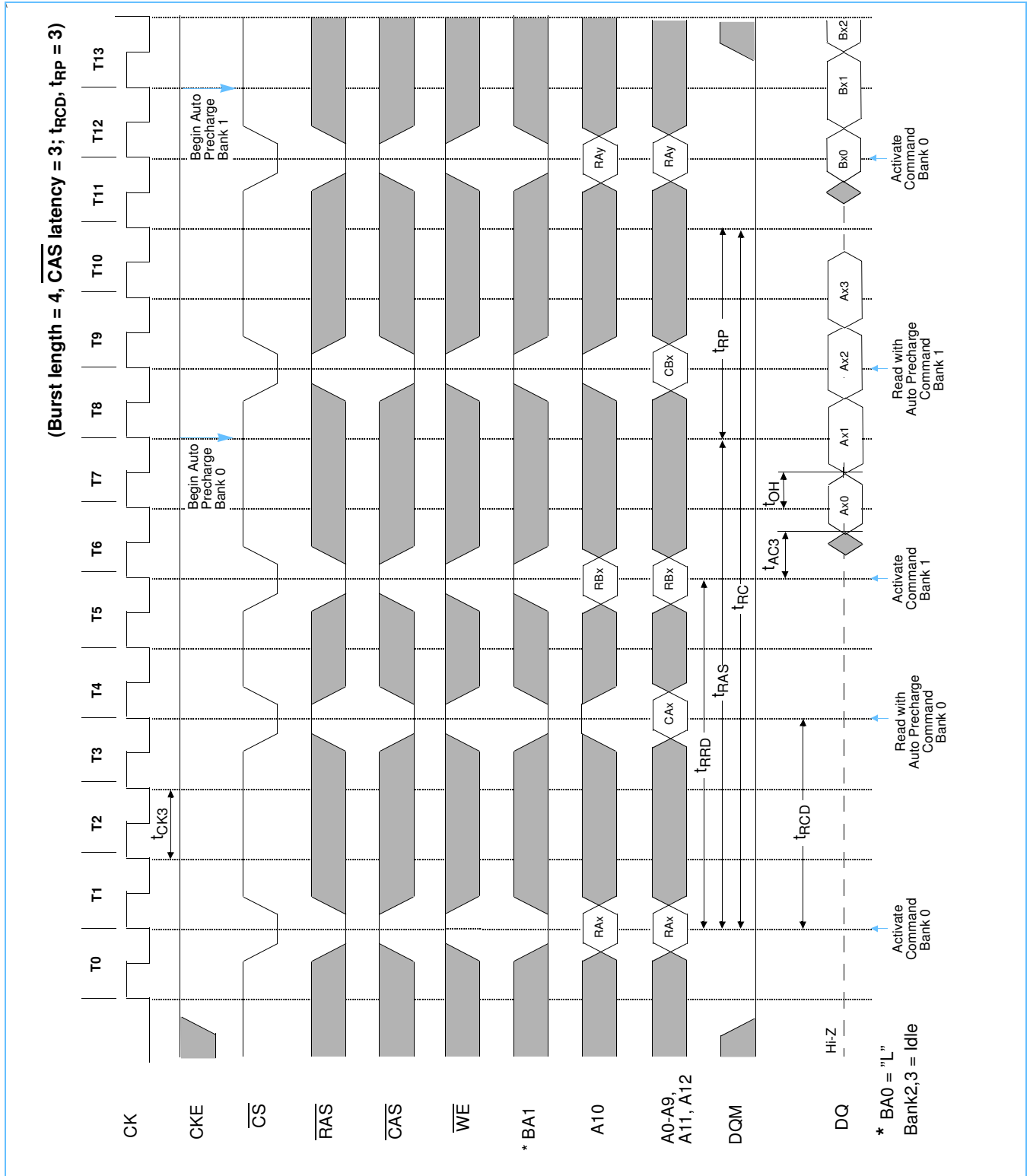
Clock Frequency and Latency

Symbol	Parameter	-6K/6KI	-75B/75BI	Units
f_{CK}	Clock Frequency	166	133	MHz
t_{CK}	Clock Cycle Time	6.0	7.5	ns
t_{AA}	\overline{CAS} Latency	3	3	CK
t_{RP}	Precharge Time	3	3	CK
t_{RCD}	\overline{RAS} to \overline{CAS} Delay	3	3	CK
t_{RC}	Bank Cycle Time	9	9	CK
t_{RAS}	Minimum Bank Active Time	6	6	CK
t_{DPL}	Data In to Precharge	2	2	CK
t_{DAL}	Data In to Active/Refresh	5	5	CK
t_{RRD}	Bank to Bank Delay Time	2	2	CK
t_{CCD}	\overline{CAS} to \overline{CAS} Delay Time	1	1	CK
t_{WL}	Write Latency	0	0	CK
t_{DQW}	DQM Write Mask Latency	0	0	CK
t_{DQZ}	DQM Data Disable Latency	2	2	CK
t_{CSL}	Clock Suspend Latency	1	1	CK

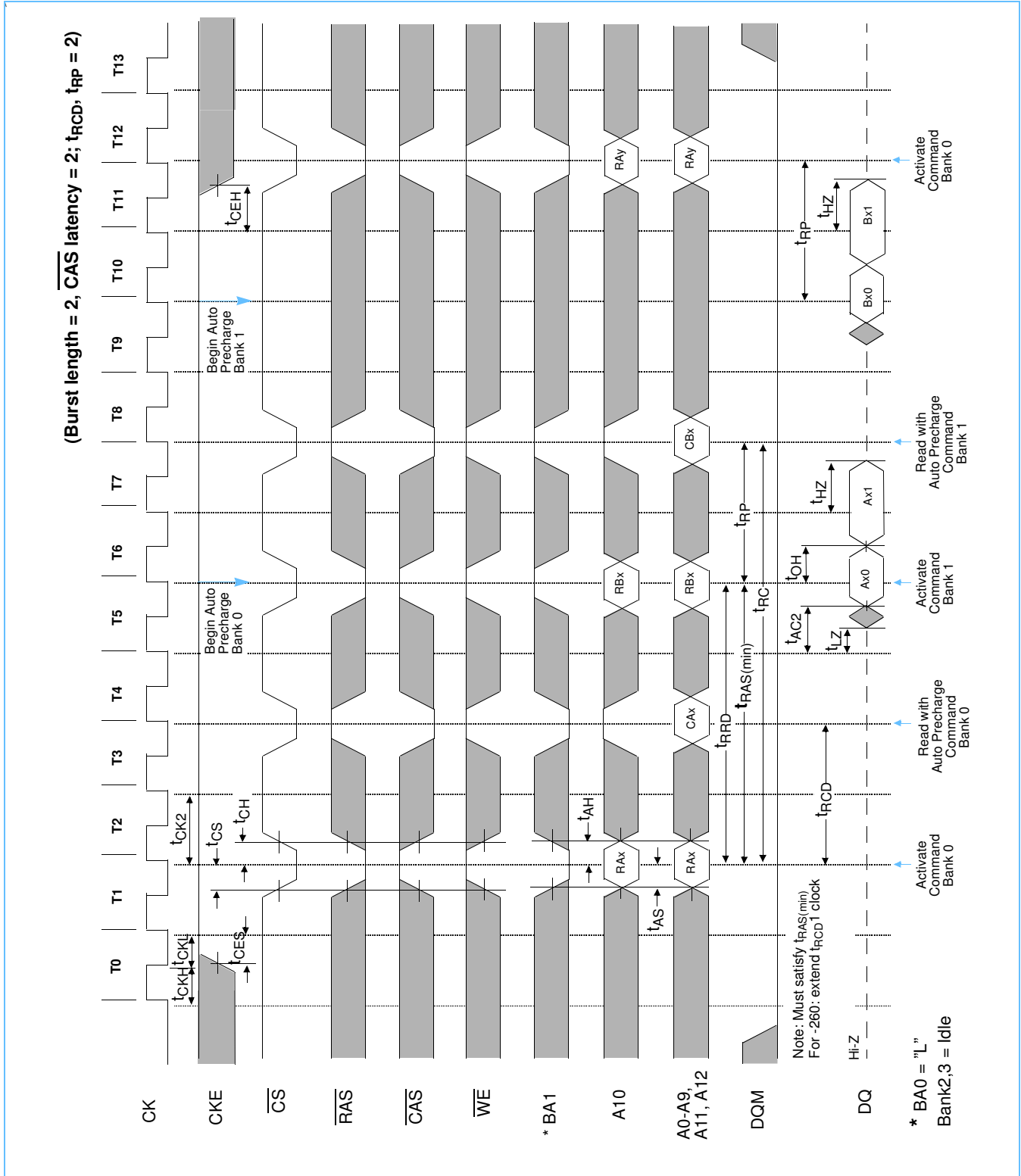
AC Parameters for Write Timing



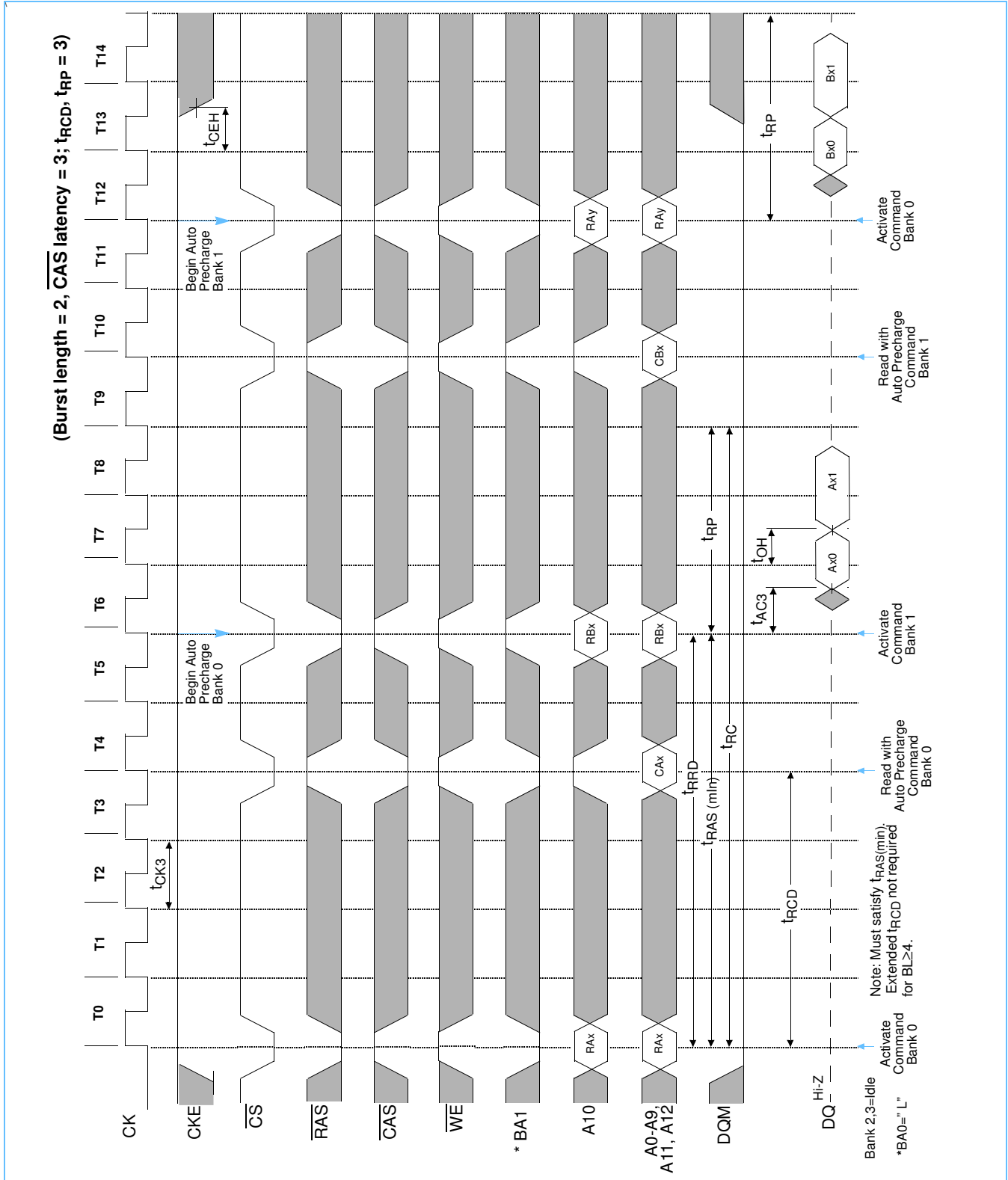
AC Parameters for Read Timing (3/3/3)



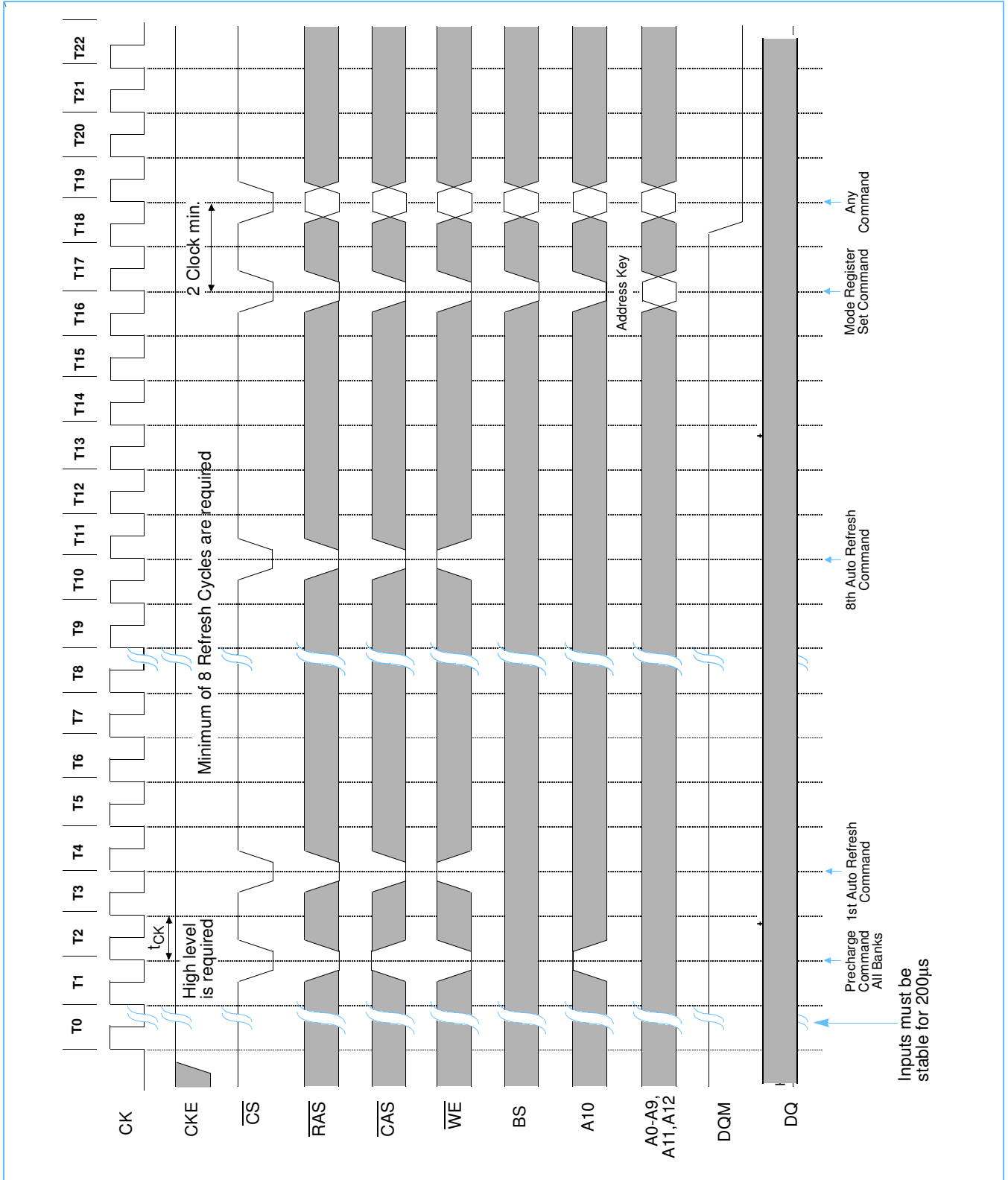
AC Parameters for Read Timing (2/2/2)



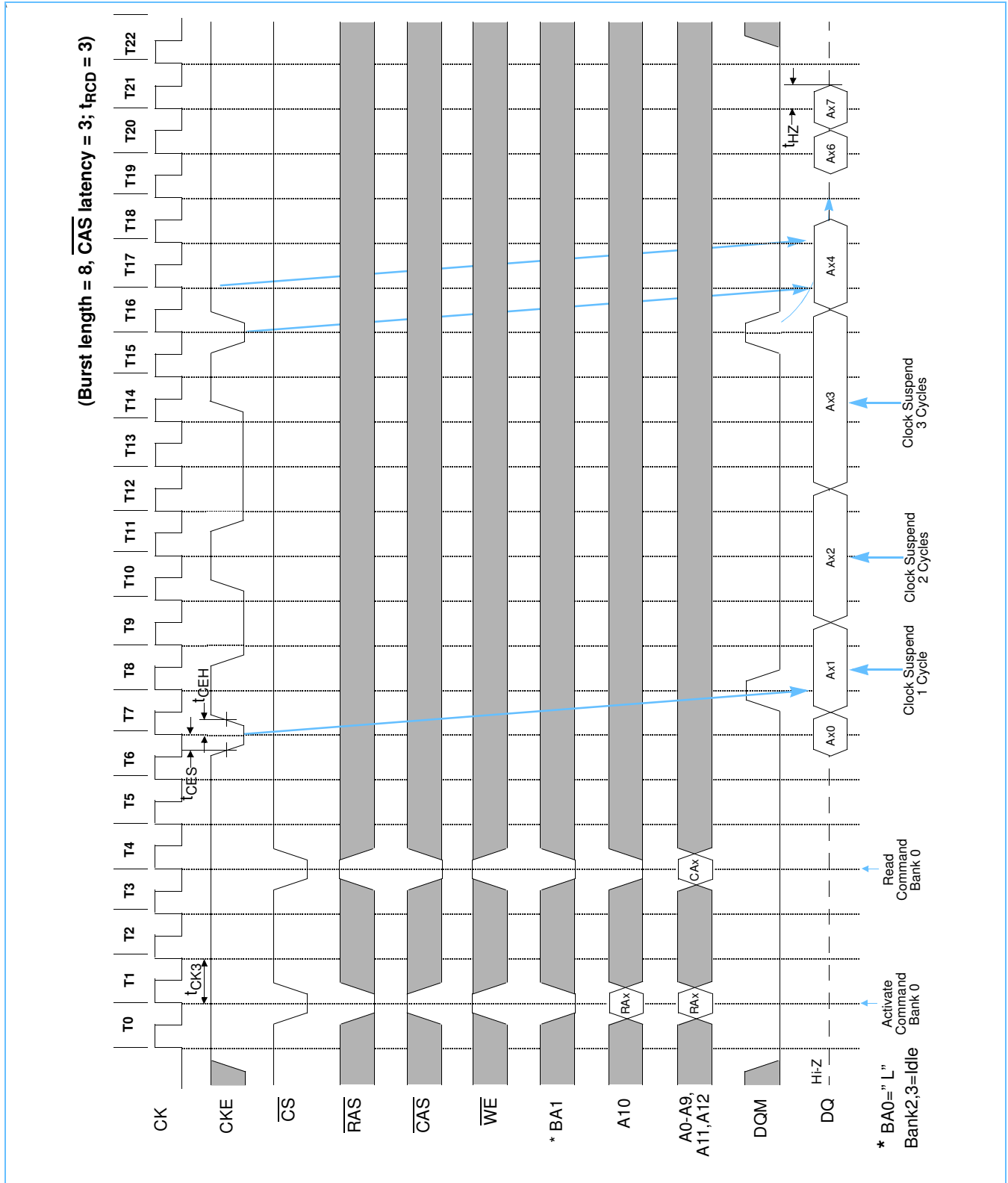
AC Parameters for Read Timing (3/3/3)



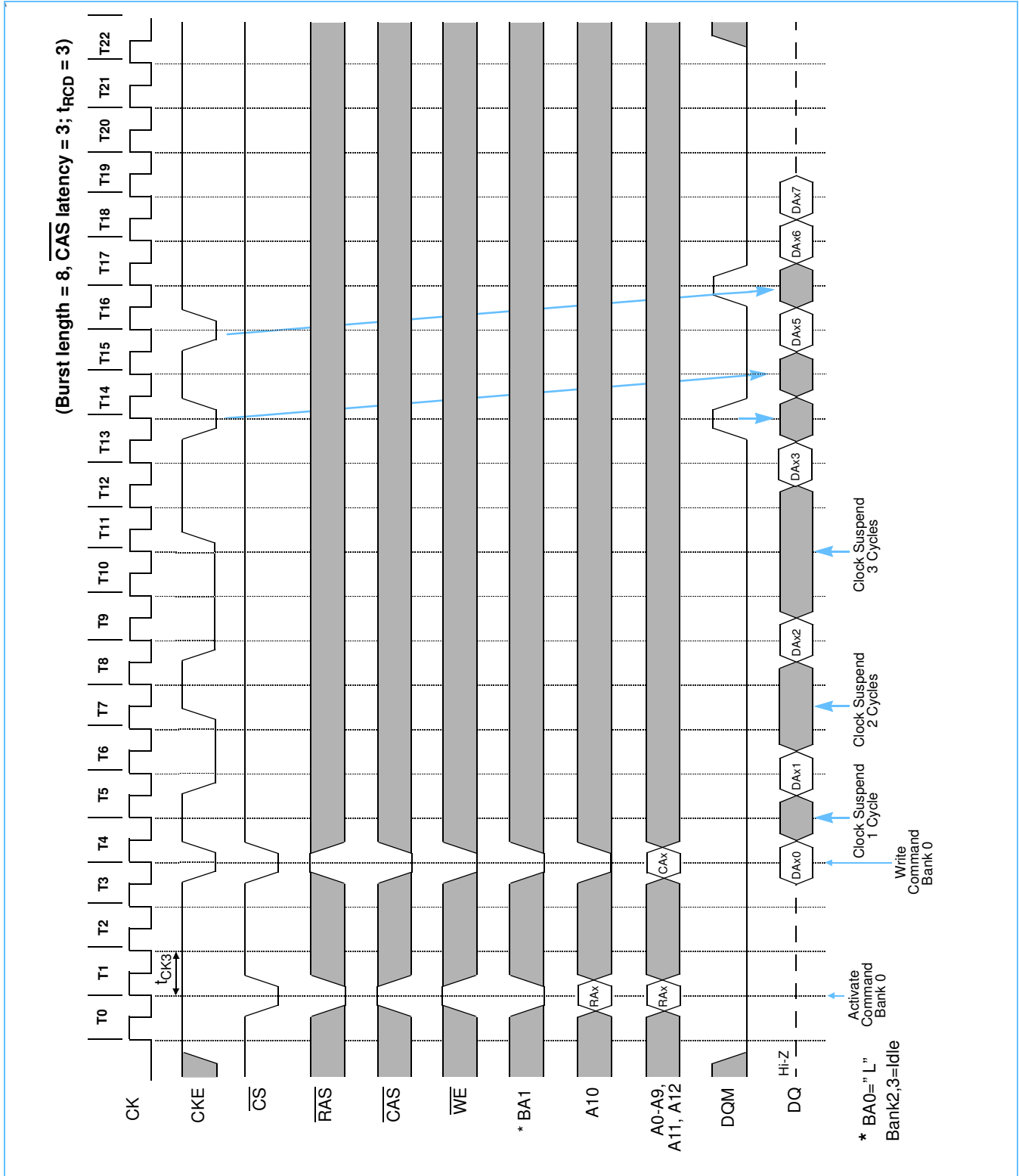
Power-On Sequence and Auto Refresh (CBR)



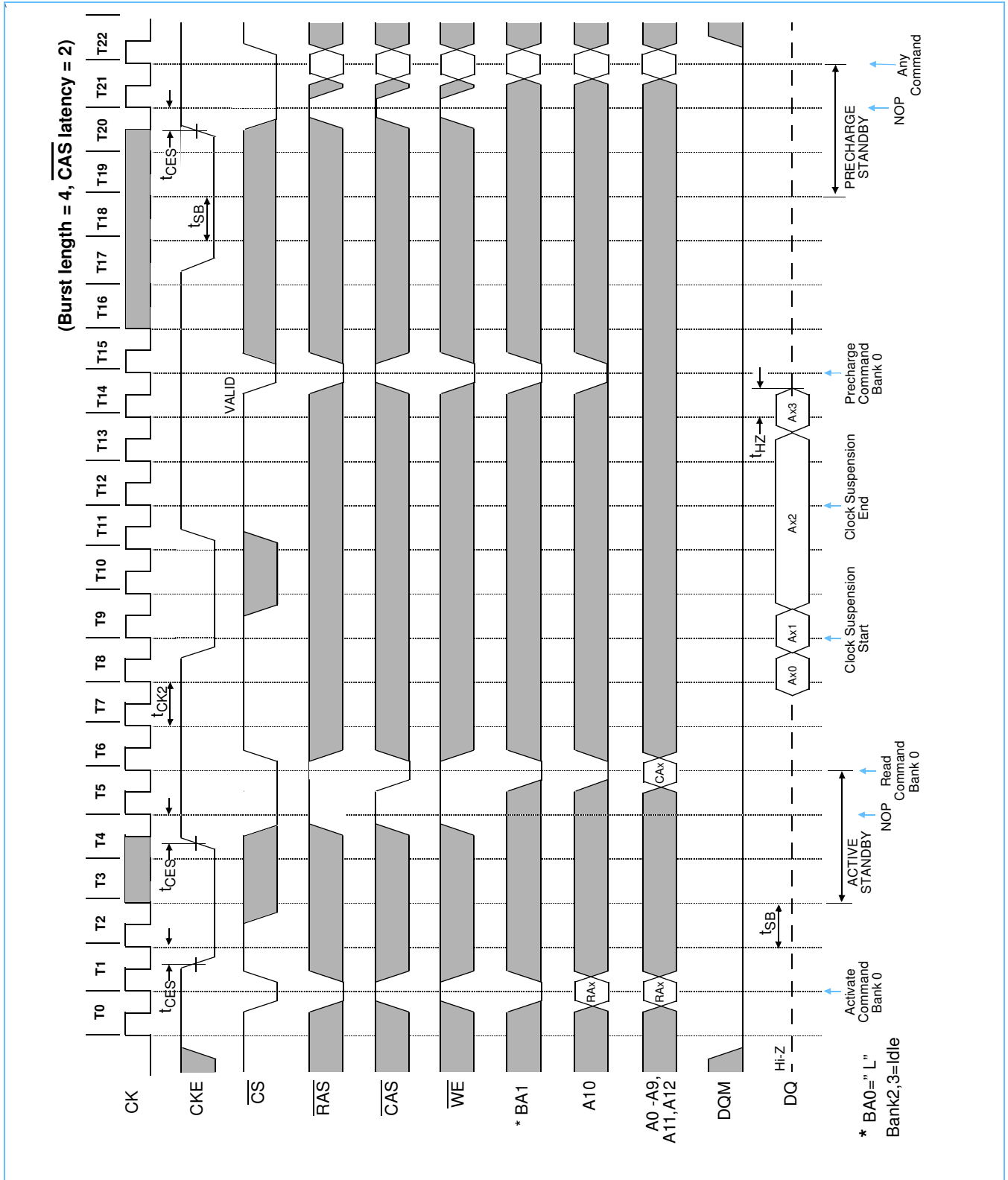
Clock Suspension / DQM During Burst Read



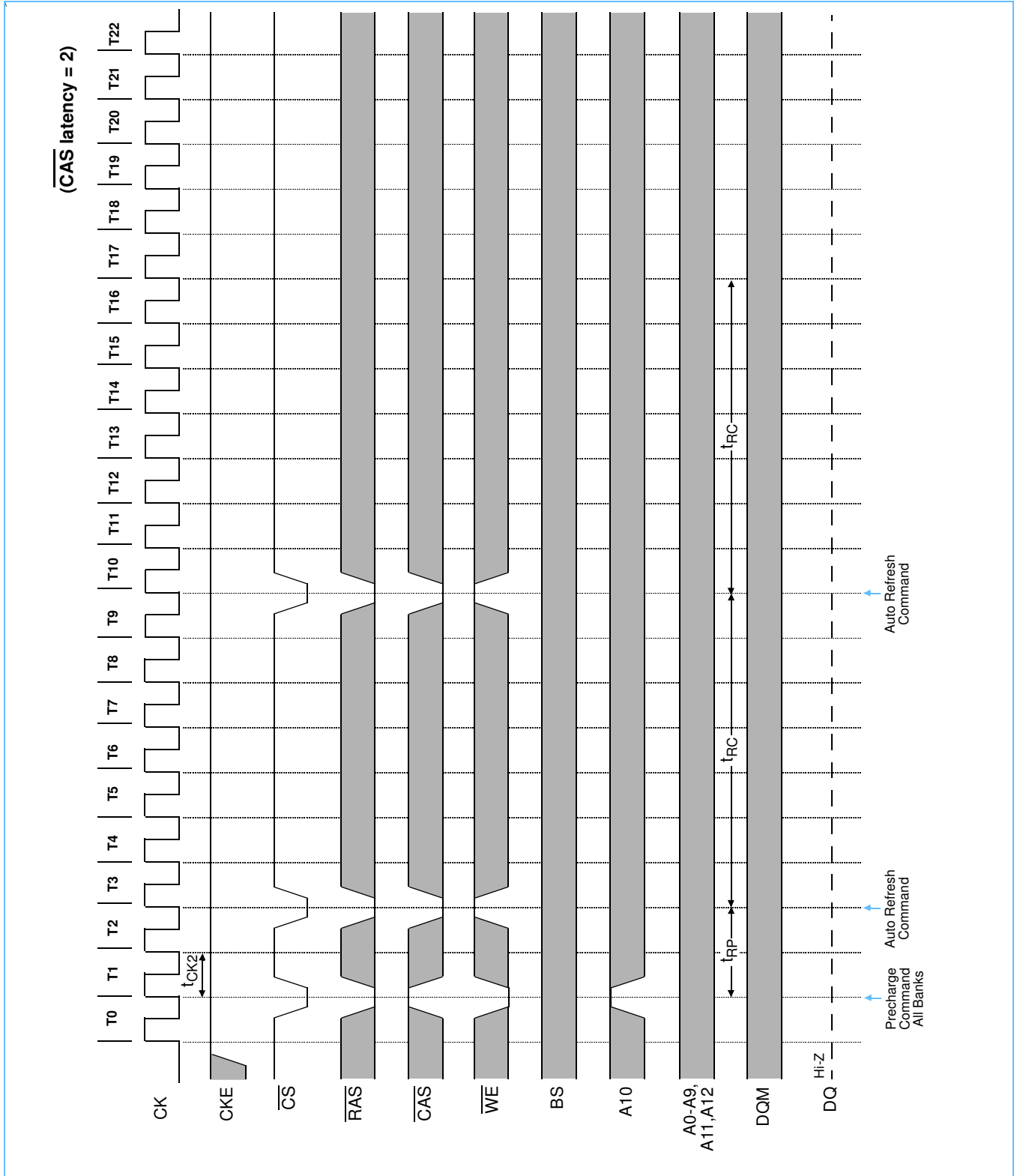
Clock Suspension / DQM During Burst Write



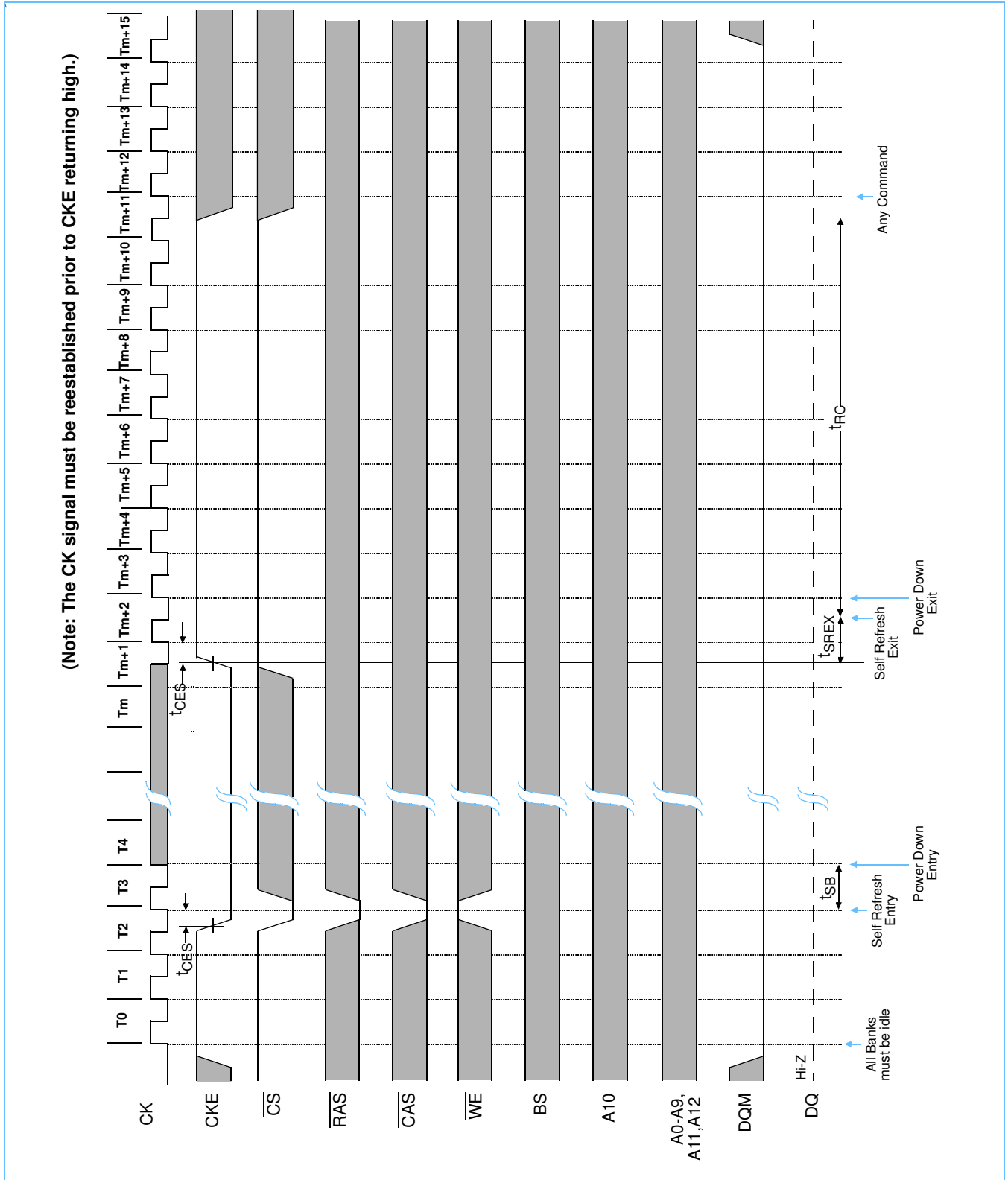
Power Down Mode and Clock Suspend



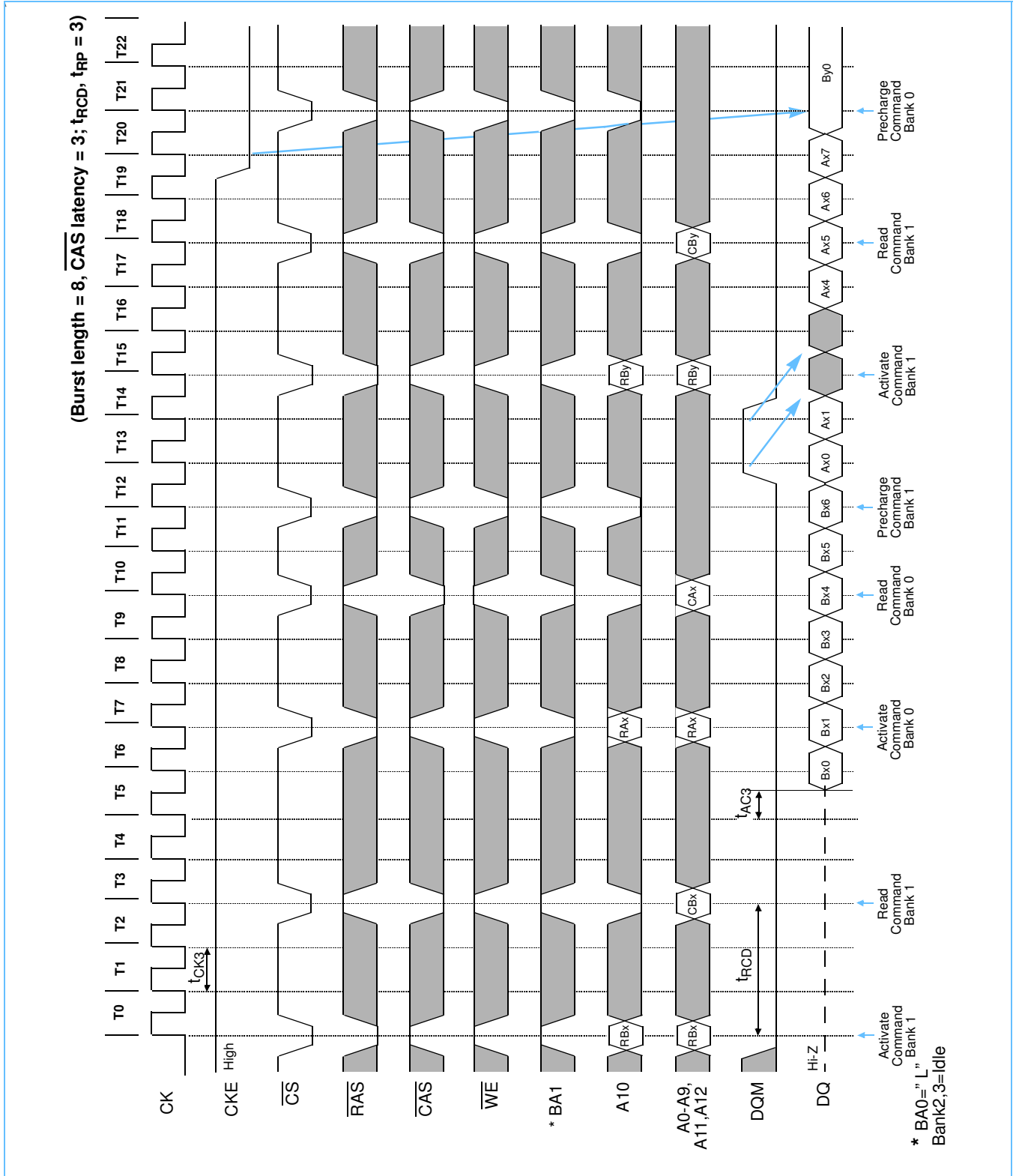
Auto Refresh (CBR)



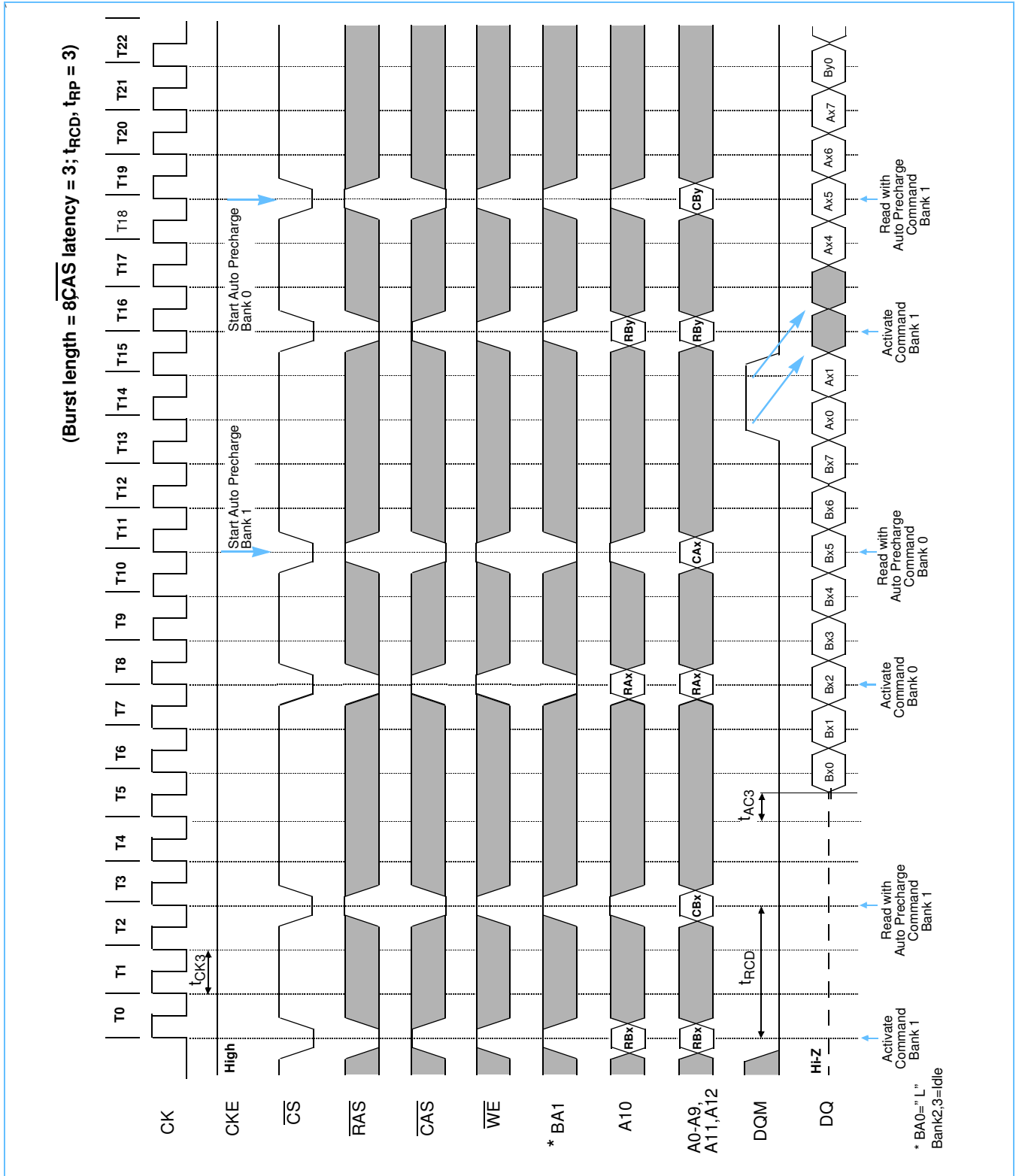
Self Refresh (Entry and Exit)



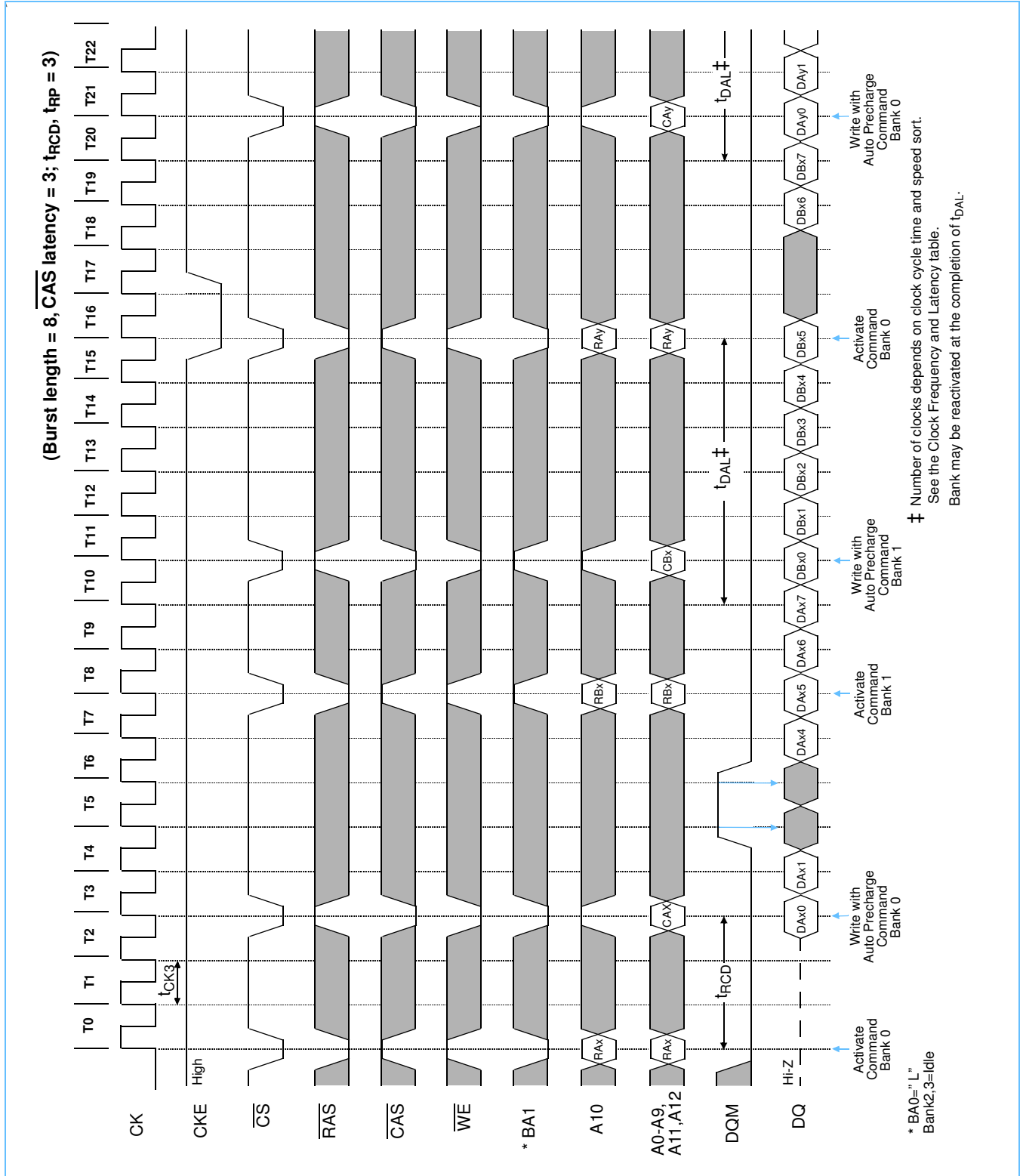
Random Row Read (Interleaving Banks) with Precharge



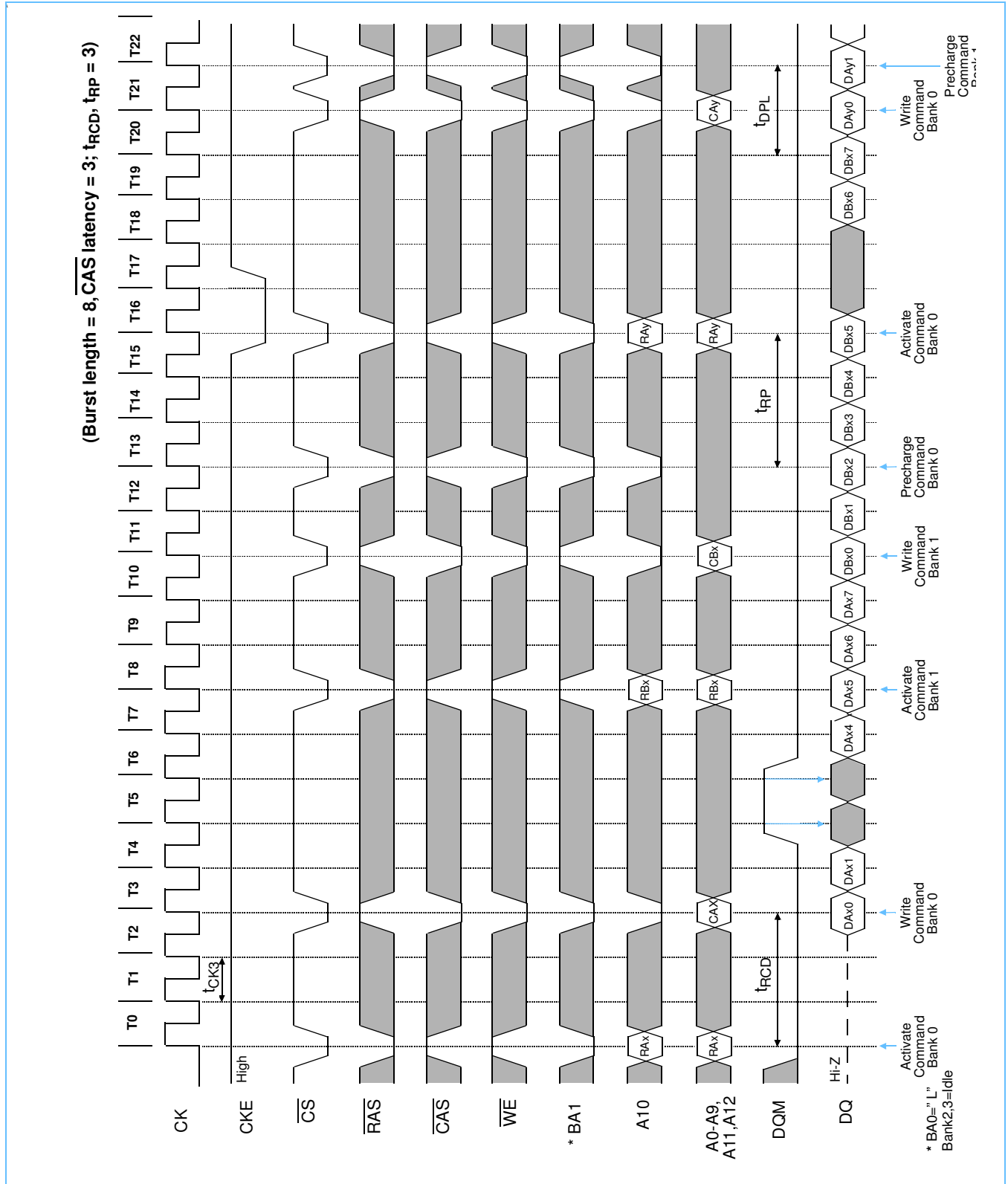
Random Row Read (Interleaving Banks) with Auto-Precharge



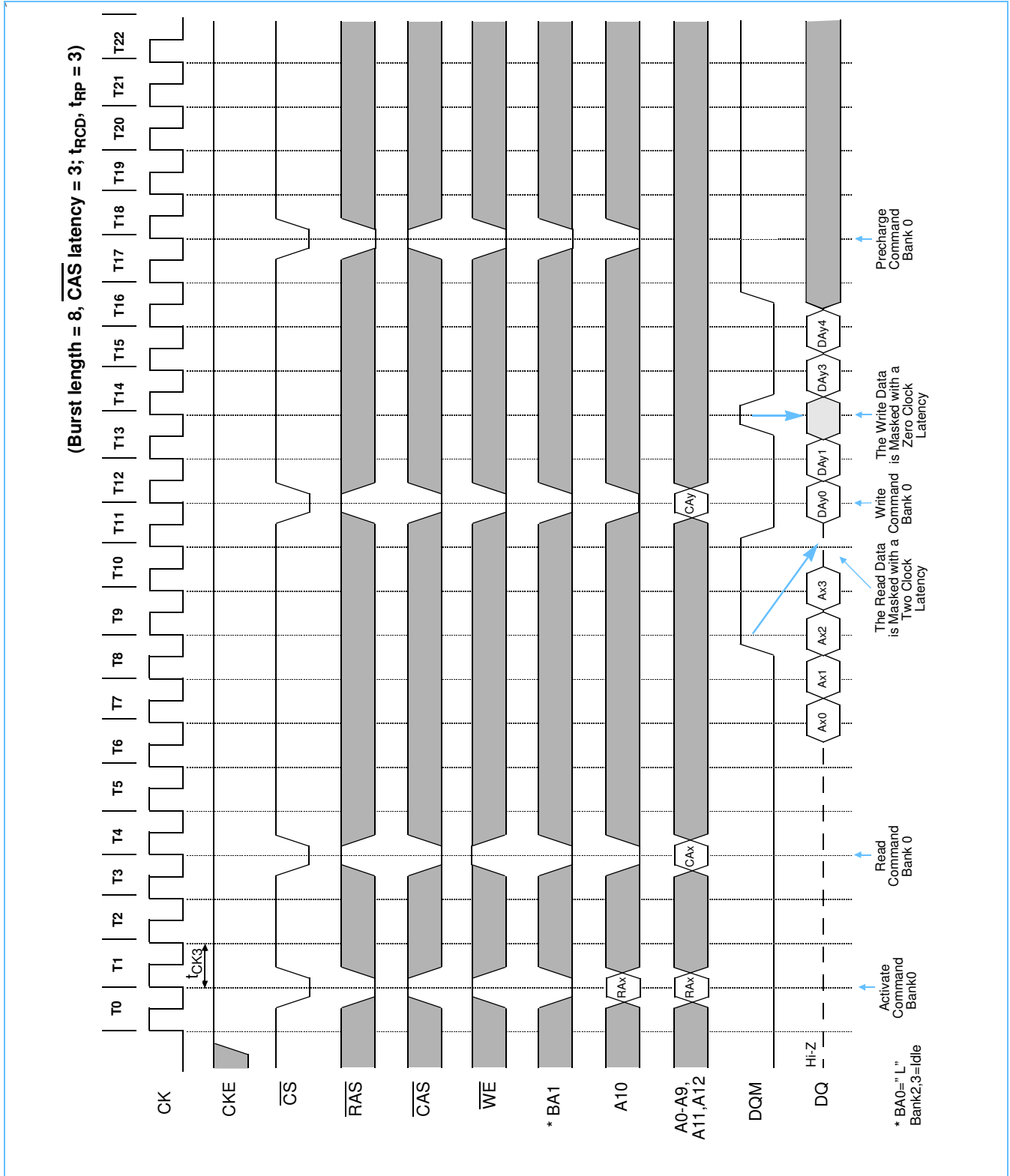
Random Row Write (Interleaving Banks) with Auto-Precharge



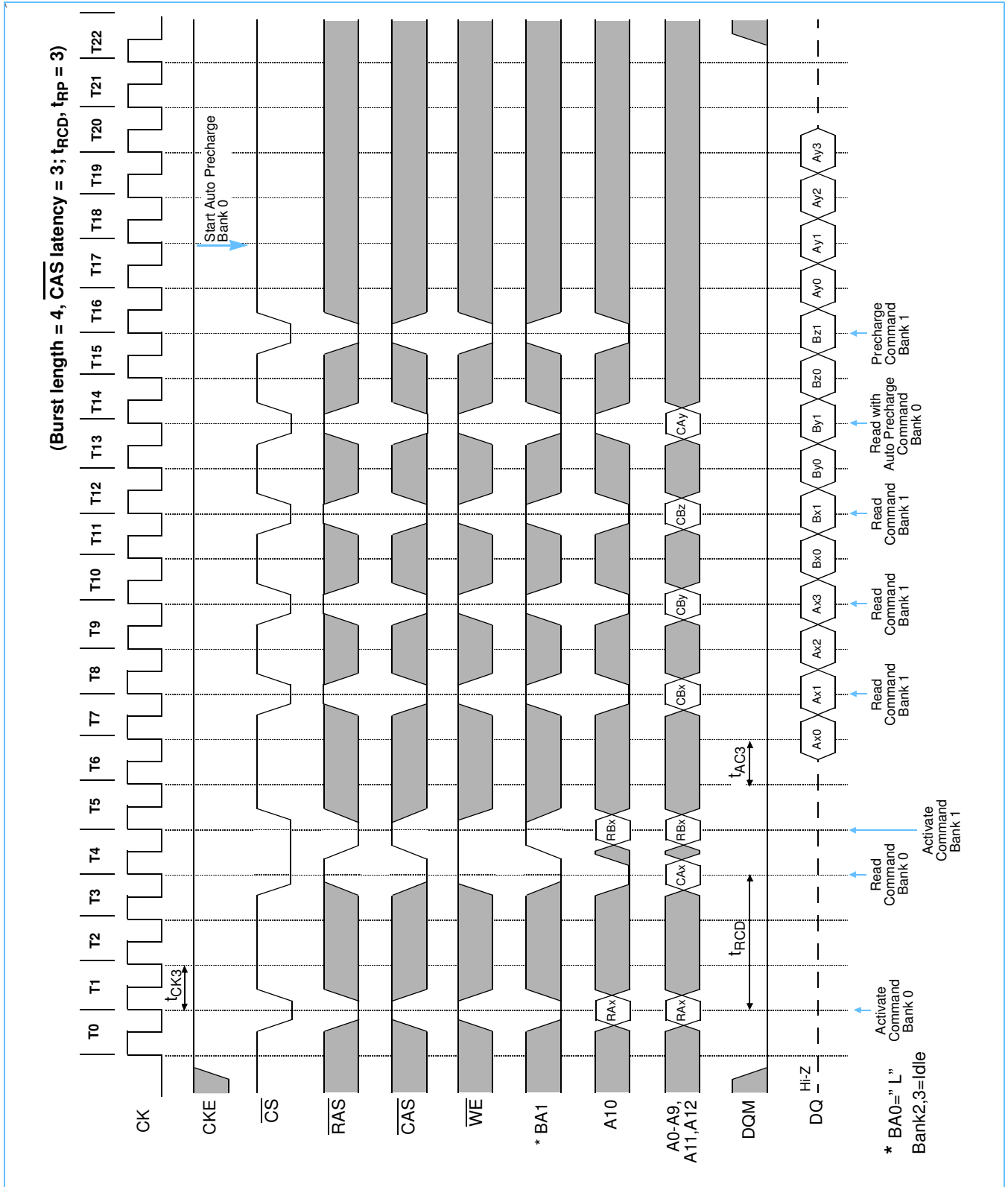
Random Row Write (Interleaving Banks) with Precharge



Read / Write Cycle

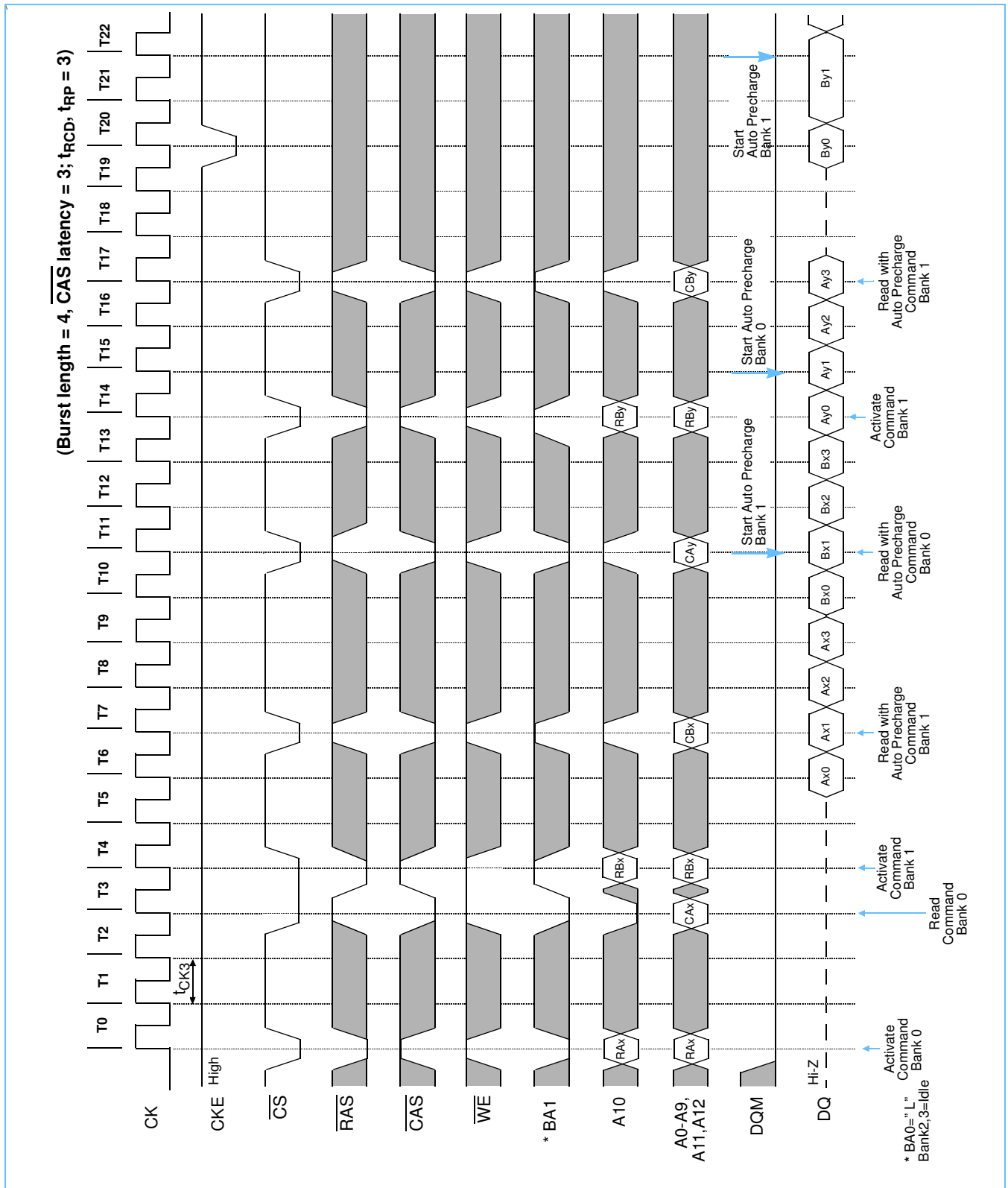


Interleaved Column Read Cycle

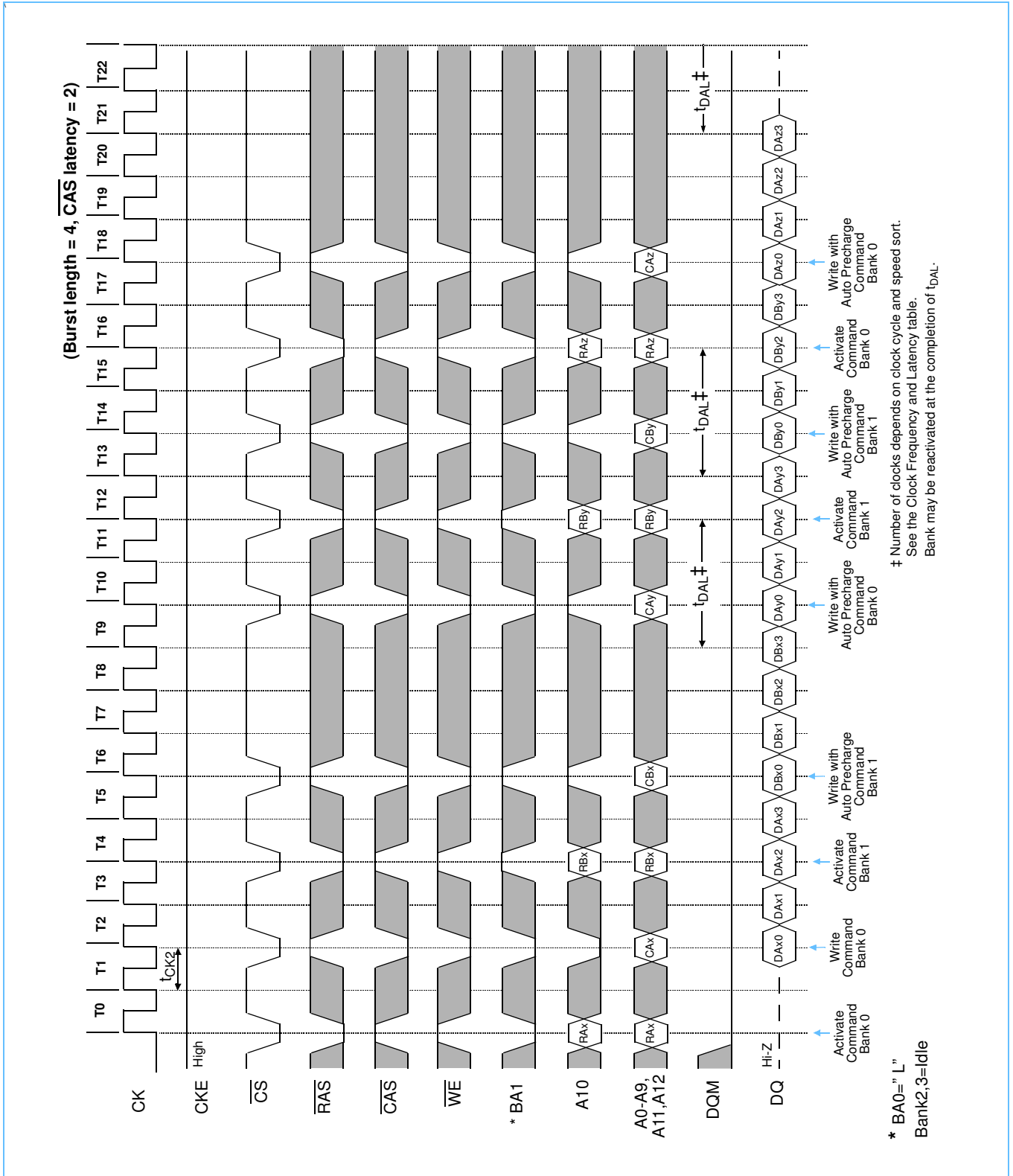


256Mb Synchronous DRAM

Auto Precharge after Read Burst

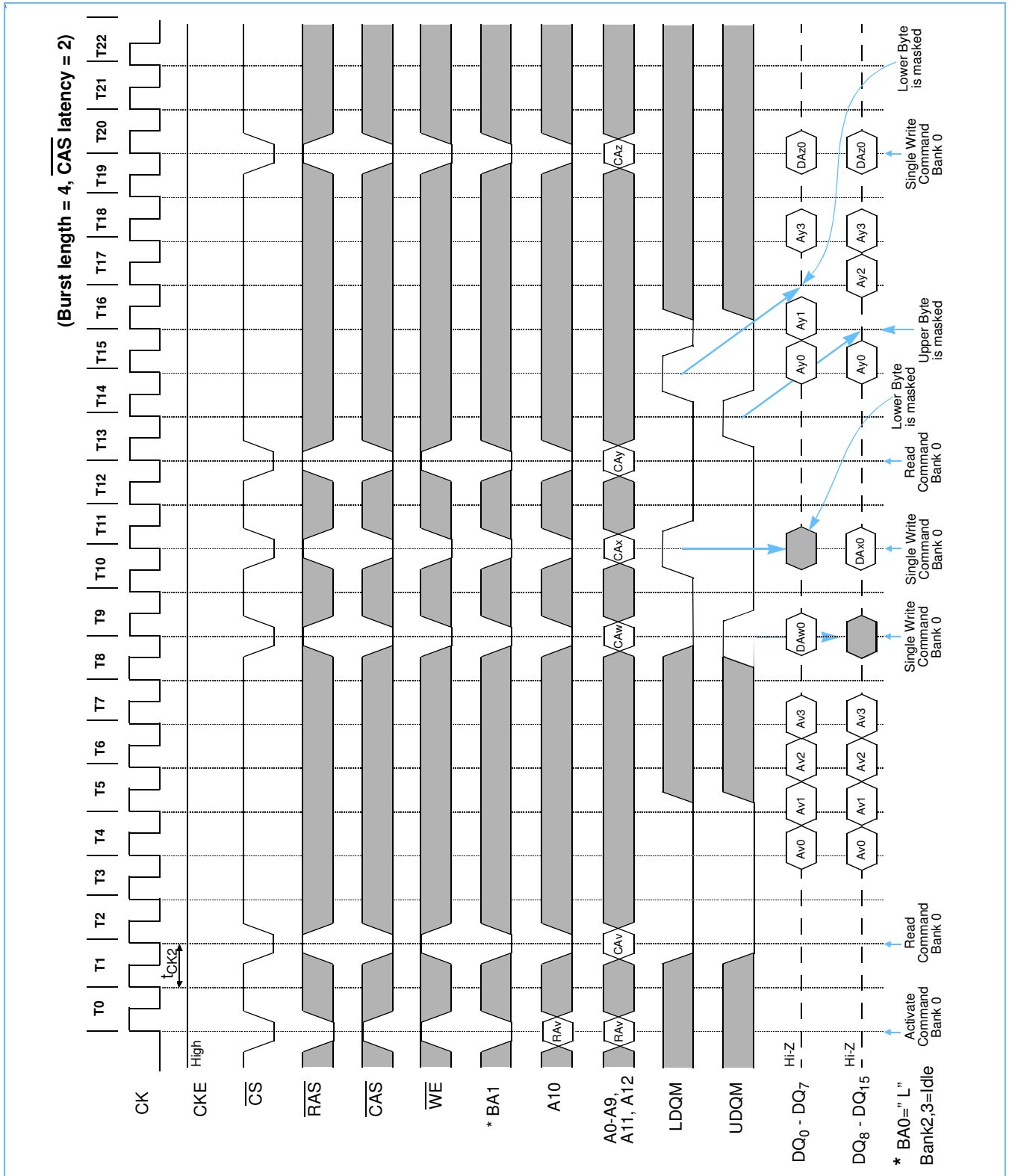


Auto Precharge after Write Burst



256Mb Synchronous DRAM

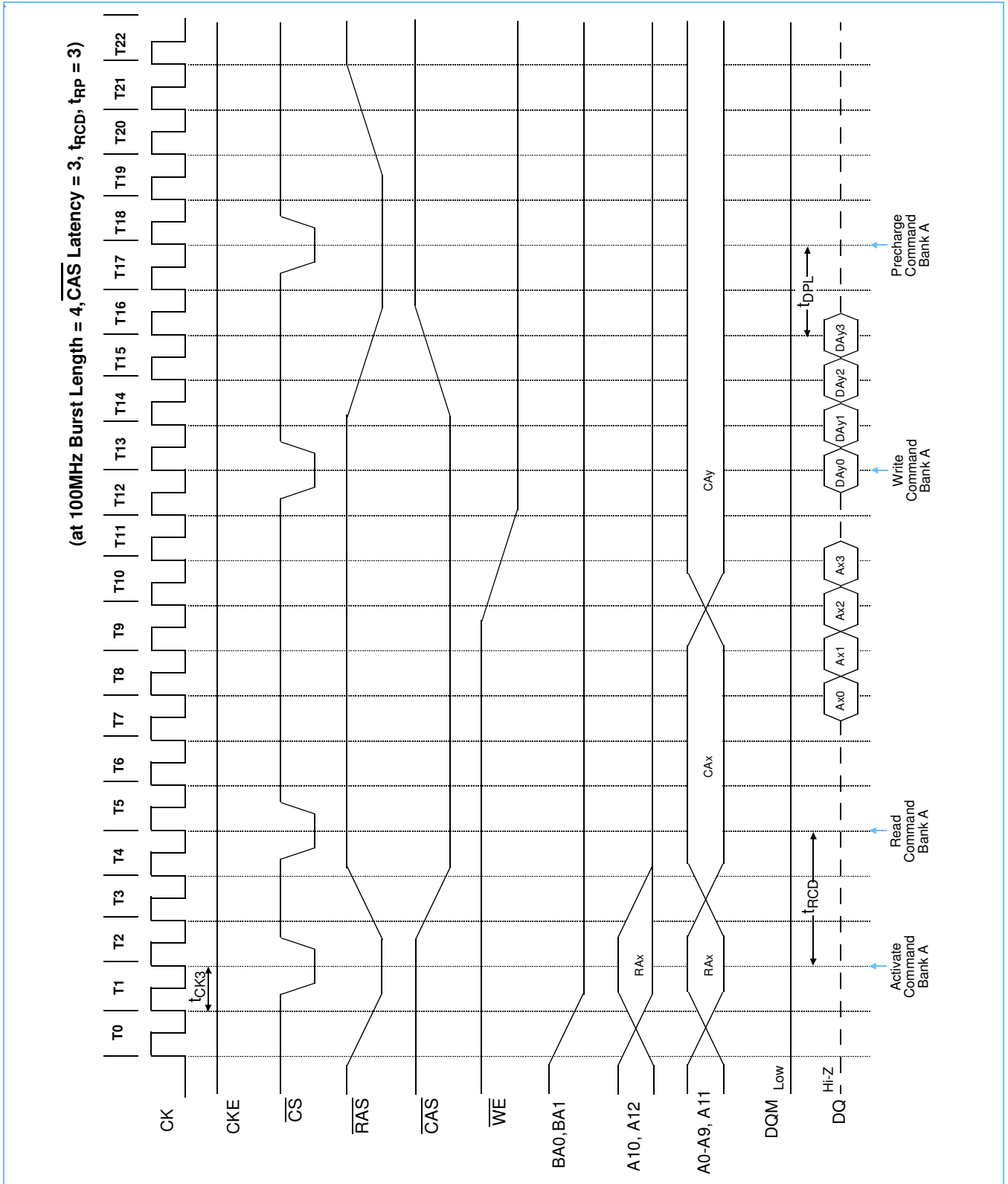
Burst Read and Single Write Operation



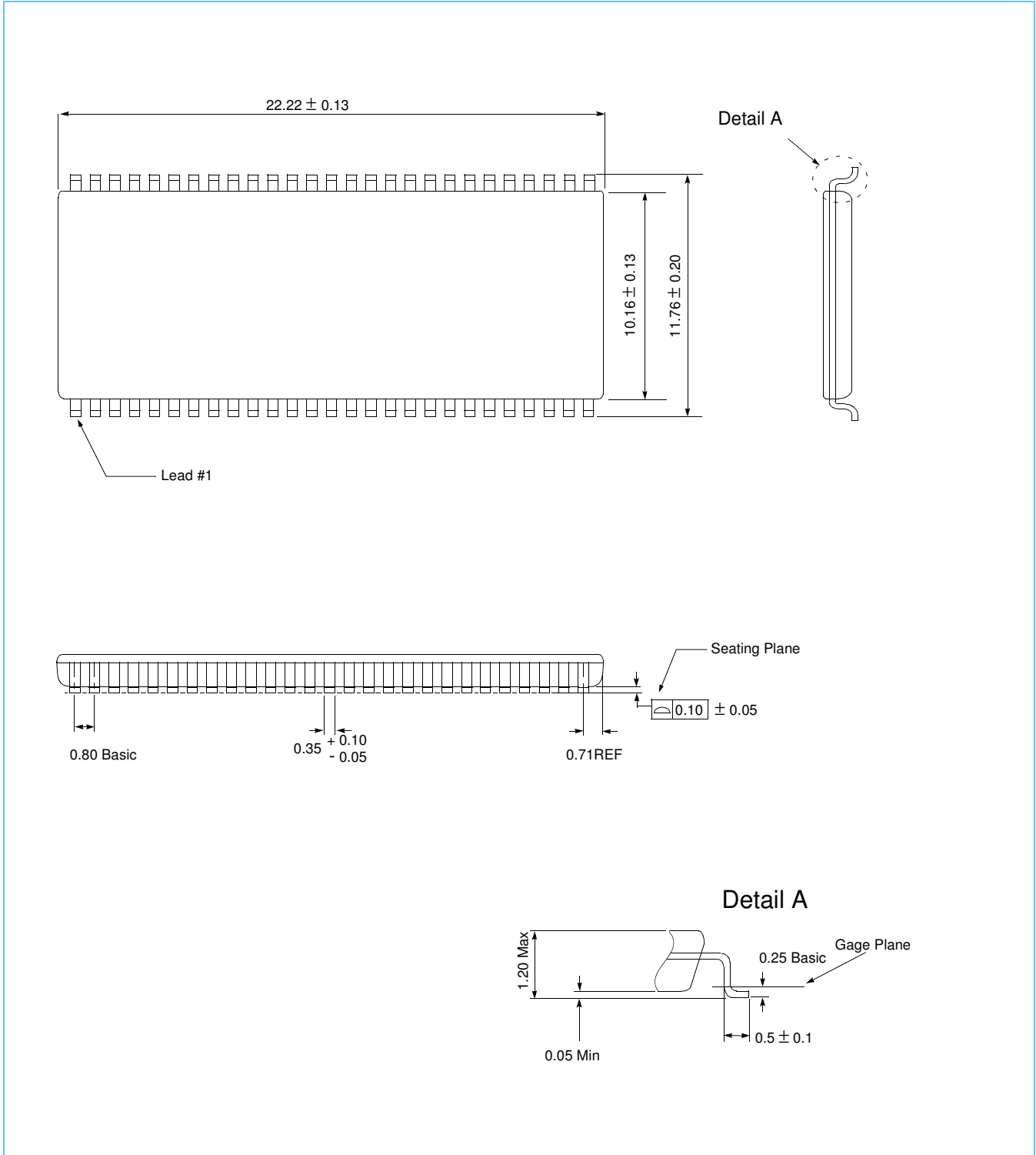


256Mb Synchronous DRAM

CS Function (Only CS signal needs to be asserted at minimum rate)



Package Dimensions (400mil; 54 lead; Thin Small Outline Package)



256Mb Synchronous DRAM

Timing DiagramsPage

AC Parameters for Write Timing.....	41
AC Parameters for Read Timing (3/3/3), BL=4	42
AC Parameters for Read Timing (2/2/2), BL=2	43
AC Parameters for Read Timing (3/2/2), BL=2	44
AC Parameters for Read Timing (3/3/3), BL=2	45
Mode Register Set.....	46
Power on Sequence and Auto Refresh (CBR)	47
Clock Suspension / DQM During Burst Read	48
Clock Suspension / DQM During Burst Write	49
Power Down Mode and Clock Suspend	50
Auto Refresh (CBR).....	51
Self Refresh (Entry and Exit).....	52
Random Row Read (Interleaving Banks) with Precharge, BL=8.....	53
Random Row Read (Interleaving Banks) with Auto-precharge, BL=8	54
Random Row Write (Interleaving Banks) with Auto-Precharge, BL=8	55
Random Row Write (Interleaving Banks) with Precharge, BL=8.....	56
Read/Write Cycle	57
Interleaved Column Read Cycle.....	58
Auto Precharge after a Read Burst, BL=4.....	59
Auto Precharge after a Write Burst, BL=4	60
Burst Read and Single Write Operation	61
\overline{CS} Function (Only \overline{CS} signal needs to be asserted at minimum rate)	62



Revision Log

Revision	Date	Modification
0.3	May 2003	Draft release.
1.0	Jan 5, 2004	Current ICC numbers had been updated with 80C numbers.
1.1	Feb 23, 2004	Added 6K speed grade. Added lead & halogen free part number.
1.2	Mar 16, 2004	Correct part number ordering page.
1.3	Jul 07, 2005	Added allowance to coplanarity spec.
1.4	Oct 13, 2006	Update Description.
1.5	Mar 5, 2007	Modify I_{CC3N} for speed of 6K and 75B
1.6	Mar 5, 2008	Modify Revision and Date on left lower corner
1.7	Oct 21, 2008	Add burst stop command in State Truth Table Add full page for Burst Length Integrate Industrial grade datasheet with support for NT5SV16M16BS-75BI/6KI, NT5SV16M16BT-75BI/6KI

Please visit our home page for more information: www.nanya.com

Nanya Technology Corporation
Hwa Ya Technology Park 669
Fu Hsing 3rd Rd., Kueishan,
Taoyuan, 333, Taiwan, R.O.C.
Tel: +886-3-328-1688

Nanya reserves the right to make changes or deletions without any notice to any of its products. Nanya makes no guarantee, warranty or representation regarding the suitability of its products for any particular purpose. Nanya assumes no liability arising out of the application or use of its products. All parameters can and do vary in its application and must be validated for each customer application by the customer's technician. By purchasing Nanya products, Nanya does not convey any license under its patent rights not the rights of others. Nanya products are not designed or intended or authorized for use in systems intended for the military or surgical implants or any other applications where life is involved or where injury or death may occur or the loss/corruption of data or the loss of system reliability or mission critical applications. Should the buyer purchase or use Nanya products in such unintended or unauthorized application, the Buyer and user shall indemnify and hold Nanya and its officers, employees, subsidiaries, affiliates and distributors harmless against all claims, costs, damages, all fees and expenses directly or indirectly arising from any claim of loss, injury or death associated with unintended or unauthorized use even if such claims alleges Nanya was negligent regarding design or manufacture of the part. Nanya and the Nanya logo are trademarks of the Nanya Technology Corporation.

©2004 Nanya Technology Corporation

All rights reserved.

Printed in Taiwan