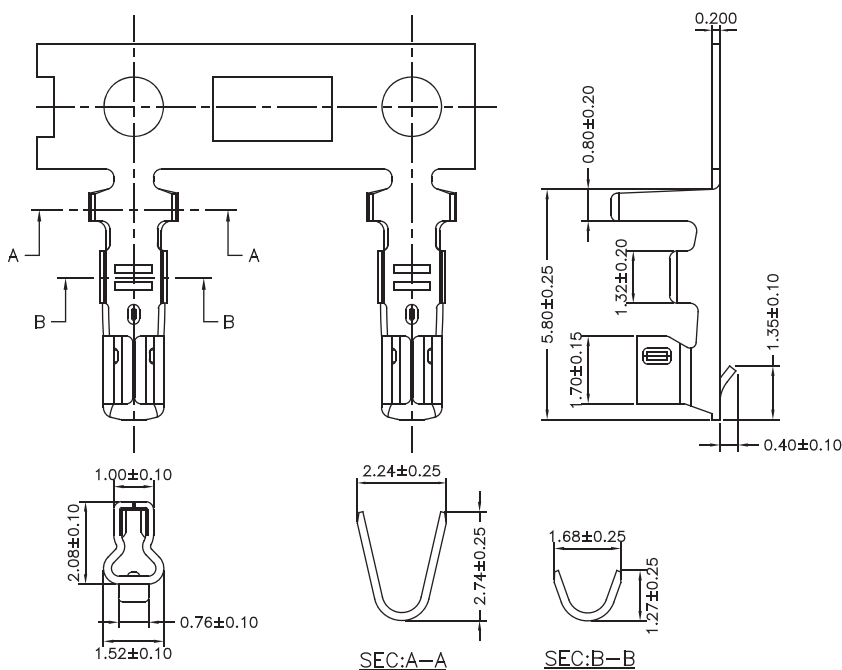




2.0mm Terminal / Housing

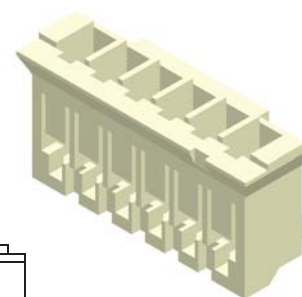


Part No.:2001-T-L

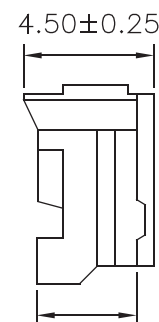
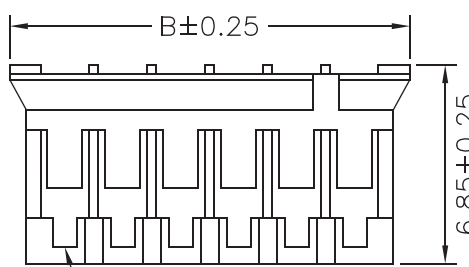
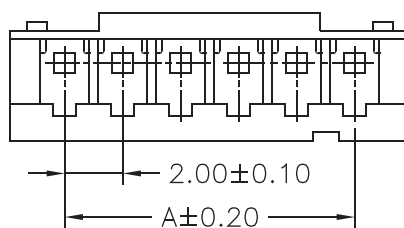
Part No.	Wire Range	Insulation O.D.	Material	Finish
2001-TTP-L	AWG#24-#30	1.50mm(max)	Phosphor Bronze	Tin Plated
2001-TGP-L	AWG#24-#30	1.50mm(max)	Phosphor Bronze	Gold Plated

Specifications

Current Rating: 2A AC,DC
 Voltage Rating: 100V AC,DC
 Temperature Range: -25°C to +85°C
 Contact Resistance: 10mΩ Max
 Insulation Resistance: 1000MΩ Min
 Withstanding Voltage: 800V AC/minute
 Material:Nylon 66,UL94V-0



Part No.	Dimensions	
	A	B
2001H-02W-L	2.00	5.80
2001H-03W-L	4.00	7.80
2001H-04W-L	6.00	9.80
2001H-05W-L	8.00	11.80
2001H-06W-L	10.00	13.80
2001H-07W-L	12.00	15.80
2001H-08W-L	14.00	17.80
2001H-09W-L	16.00	19.80
2001H-10W-L	18.00	21.80
2001H-11W-L	20.00	23.80
2001H-12W-L	22.00	25.80
2001H-13W-L	24.00	27.80
2001H-14W-L	26.00	29.80
2001H-15W-L	28.00	31.80
2001H-16W-L	30.00	33.80



Circuit 1

Part No.:2001H-XXW-L

Housing wafer Terminal

