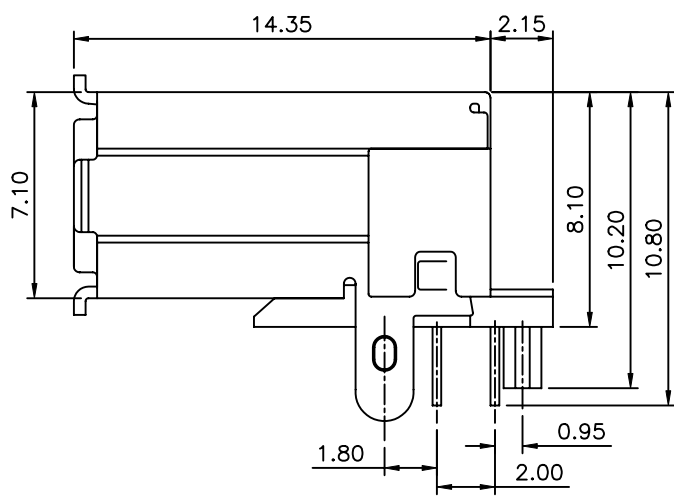
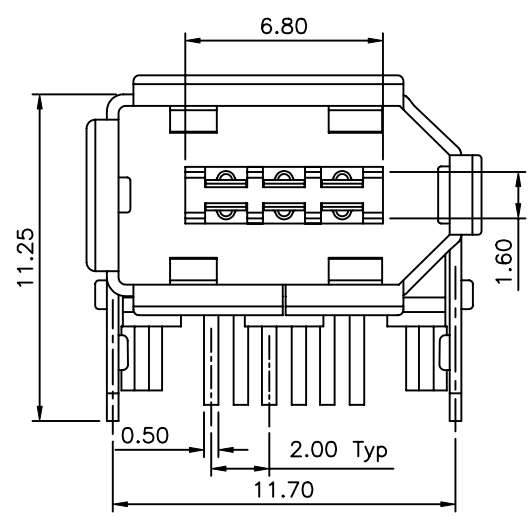


Recommended P.C.B Layout

**SPECIFICATION**  
 Withstanding Voltage:500V AC  
 Contact Resistance:30 Milliohms Max  
 Insulation Resistance:100 Megaohms Min  
 Temperature Range:-55°C To +85°C  
 Insulator:LCP+30%G.F UL94V-0 Black  
 Contact:Brass,T=0.30,Gold Flash And Tin  
 Over Nickel Plated  
 Shell:Brass T=0.40,Nickel Over All Plating  
 RoHS Compliant



**AUK** A MEMBER OF AUK GROUP  
**太聯事業股份有限公司**  
**AUK CONTRACTORS CO., LTD.**

CATEGORY		APPROVED BY		UNLESS OTHERWISE SPECIFIED TOLERANCES ARE					
PART No. FW2X03SR-HH		MEI		.X ±0.38 .X* ±2.0°					
DRAWING No. FW2X03SR-HH		HZF		.XX ±0.25 .XX* ±1.0°					
SCALE NONE		REV. A0		.XXX ±0.13 .XXX* ±0.5°					
REV. A0		UNIT mm		NO. REV.		A0 NEW RELEASE		HZF 07/19/2008	
REV. A0		UNIT mm		NO. REV.		REVISIONS		CHK DATE	