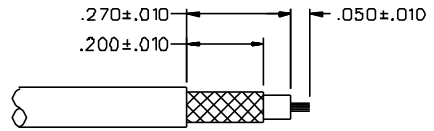
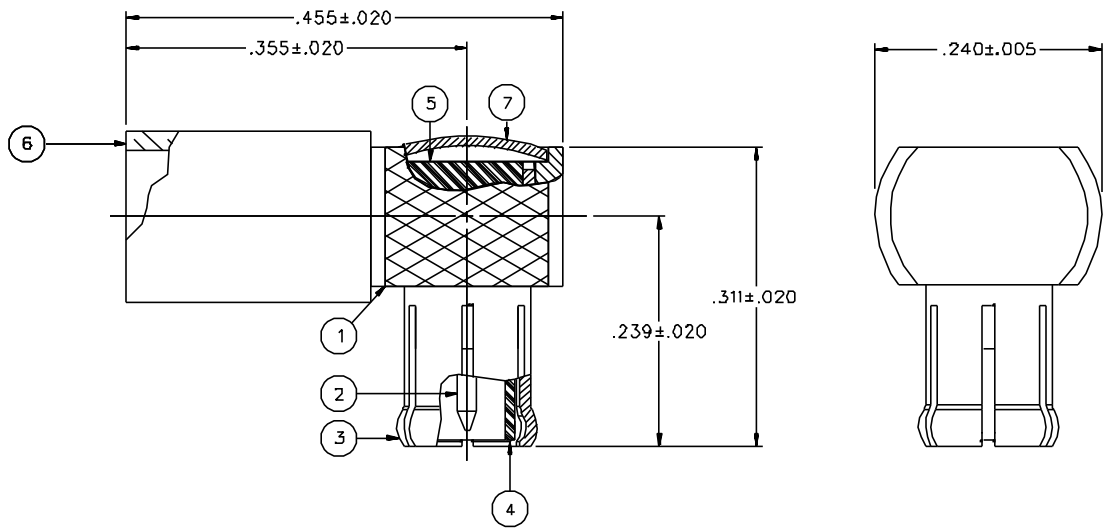


PART NUMBER	ITEM ① BODY	ITEM ② CONTACT	ITEM ③ INTERFACE	ITEM ④ INSULATOR	ITEM ⑤ INSULATOR	ITEM ⑥ CRIMP SLEEVE	ITEM ⑦ END CAP
133-34D4-101	BRASS GOLD PL .00001 MIN OVER NICKEL PL .00005 MIN OVER COPPER PL .00005 MIN	BRASS GOLD PL .00003 MIN OVER NICKEL PL .00005 MIN OVER COPPER PL .00005 MIN	BERYLLIUM COPPER GOLD PL .00003 MIN OVER NICKEL PL .00005 MIN OVER COPPER PL .00005 MIN	TEFLON	TEFLON	COPPER GOLD PL .00001 MIN OVER NICKEL PL .00005 MIN OVER COPPER PL .00005 MIN	BRASS GOLD PL .00001 MIN OVER NICKEL PL .00005 MIN OVER COPPER PL .00005 MIN
133-34D4-106	BRASS NICKEL PL .0001 MIN OVER COPPER PL .00005 MIN	BRASS GOLD PL .00003 MIN OVER NICKEL PL .00005 MIN OVER COPPER PL .00005 MIN	BERYLLIUM COPPER NICKEL PL .0001 MIN OVER COPPER PL .00005 MIN	TEFLON	TEFLON	COPPER NICKEL PL .0001 MIN OVER COPPER PL .00005 MIN	BRASS NICKEL PL .0001 MIN OVER COPPER PL .00005 MIN

DRAWING NO. C - 133-3404-101/110	
0	REVISIONS
ENGINEERING RELEASE	
1	5-3-95 R H B B P 5-15-95 ECN 43287
CHANGED: -55 DB RF LEAK WAS -70 DB, 5.6 LBS MAX ENGAGEMENT 3.4 LBS, 1.0/8.0 LBS DISENGAGE WAS 2.25/4.5 LBS, 2.3 LBS RETENTION WAS 4 LBS	
* REVISION NUMBER FOLLOWED BY AN ALPHA * * CHARACTER INDICATED DRAWING CLARIF. * * CATION OR PART NUMBER ADDITION ONLY. *	
1a	9-27-00 R H B B P ECN 47353



CABLE STRIP DIMENSIONS

4:1

CUSTOMER DRAWING

THIS DRAWING TO BE INTERPRETED PER ANSI Y 14.5M - 1982

"μSTATION"

COMPANY CONFIDENTIAL

NOTES:

1. SPECIFICATIONS:

IMPEDANCE: 50 OHMS  
 FREQUENCY RANGE: 0-6 GHz  
 VSWR: 1.07:0.04F MAX (F IN CHZ)  
 WORKING VOLTAGE: 335 VRMS MAX AT SEA LEVEL  
 DIELECTRIC WITHSTANDING VOLTAGE: 1000 VRMS MIN AT SEA LEVEL  
 INSULATION RESISTANCE: 10000 MEGOHM MIN  
 CONTACT RESISTANCE:  
 CENTER CONTACT - INITIAL 5 MILLIOHM MAX, AFTER ENVIRONMENTAL 15 MILLIOHM MAX  
 OUTER CONDUCTOR - GOLD PLATED INITIAL 1 MILLIOHM MAX, AFTER ENVIRONMENTAL 1.5 MILLIOHM MAX  
 NICKEL PLATED INITIAL 2.5 MILLIOHM MAX, AFTER ENVIRONMENTAL 3.5 MILLIOHM MAX  
 BODY TO CABLE - GOLD PLATED INITIAL 1 MILLIOHM MAX, AFTER ENVIRONMENTAL NOT APPLICABLE  
 NICKEL PLATED INITIAL 2.5 MILLIOHM MAX, AFTER ENVIRONMENTAL NOT APPLICABLE  
 CORONA LEVEL: 250 VOLTS MINIMUM AT 70,000 FEET  
 INSERTION LOSS: .2 DB MAX AT 1 GHz  
 RF LEAKAGE: -55 DB AT 2.5 GHz  
 RF HIGH POTENTIAL WITHSTANDING VOLTAGE: 700 VRMS AT 4 AND 7 MHZ

MECHANICAL:

ENGAGE/DISENGAGE FORCE: 5.6 LBS MAX ENGAGEMENT  
 1.0/8.0 LBS MIN/MAX DISENGAGEMENT  
 CONTACT RETENTION FORCE: 2.3 LBS MIN AXIAL FORCE  
 CONTACT RETENTION TORQUE: NOT APPLICABLE  
 COUPLING MECHANISM RETENTION: NOT APPLICABLE  
 CABLE ACCEPTABILITY: RG 188 DOUBLE SHIELDED, RG 316 DOUBLE SHIELDED  
 CABLE HEX CRIMP SIZE: .151  
 CABLE RETENTION: 25 LBS MIN AXIAL FORCE  
 DURABILITY: 500 CYCLES MIN

ENVIRONMENTAL:

(MEETS OR EXCEEDS THE APPLICABLE PARAGRAPH OF MIL-C-39012)  
 THERMAL SHOCK: MIL-STD-202, METHOD 107, CONDITION F  
 OPERATING TEMPERATURE: -65 DEG C TO 165 DEG C  
 CORROSION: MIL-STD-202, METHOD 101, CONDITION B  
 SHOCK: MIL-STD-202, METHOD 213, CONDITION B  
 VIBRATION: MIL-STD-202, METHOD 204, CONDITION B  
 MOISTURE RESISTANCE: MIL-STD-202, METHOD 106

TOLERANCE UNLESS OTHERWISE SPECIFIED	DRAWN BY T.A.KARI	DATE 2-7-95		299 Johnson Ave. P.O. Box 1732 Waseca, MN 56093-0832	
DECIMALS	CHECKED BY TAK	DATE 5-10-95		TITLE PLUG ASSEMBLY RIGHT ANGLE, RG 316 2X SHIELD MCX	CODE NO.
.XX	APPROVED BY TAK	DATE 5-10-95		C - 133-3404-101/110	
.XXX	APPROVED BY RJB	DATE 5-10-95		SCALE 10:1	U/M INCH
MATL	RELEASE DATE	5-15-95		SHEET 2 OF 2	
FINISH					