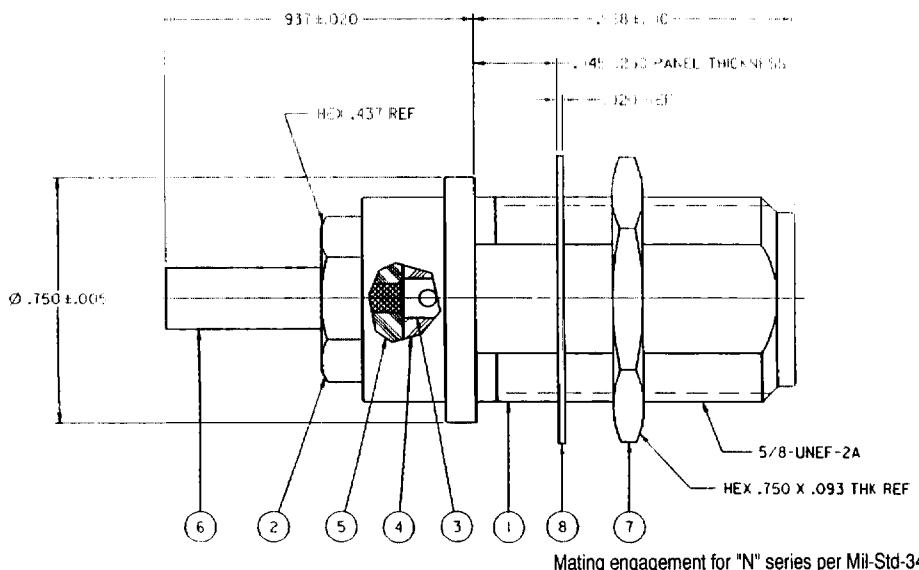


N DATA FILE

Straight Cable Bulkhead Jack Solder-Crimp Type



- Mid-Power Performance
- Strong Mechanical Connection
- Antenna Broadcast Applications



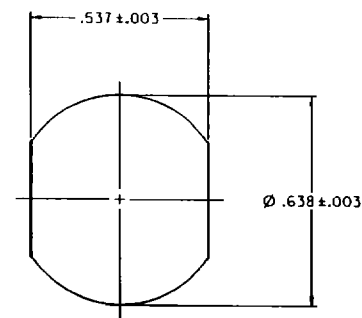
Mating engagement for "N" series per Mil-Std-348

SPECIFICATIONS

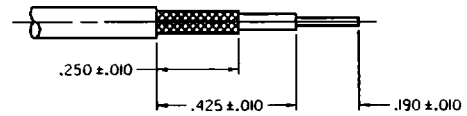
PART NUMBER	ITEM 1 BODY	ITEM 2 REAR BODY	ITEM 3 CONTACT	ITEM 4 INSULATOR	ITEM 5 INSULATOR	ITEM 6 CRIMP SLEEVE	ITEM 7 NUT	ITEM 8 LOCKWASHER
134-0303-406 134-0304-406 134-0307-406 134-0308-406	Zinc Nickel pl. .00015 min over Copper pl. .0005 min	Brass Nickel pl. .0001 min over Copper pl. .00005 min	Beryllium Copper Gold pl. .00001 min over Nickel pl. .00005 min	Teflon	Teflon	Copper Nickel pl. .0001 min over Copper pl. .00005 min	Brass Nickel pl. .0001 min	Steel Zinc pl
134-0303-407 134-0304-407 134-0307-407 134-0308-407	Zinc Nickel pl. .00015 min over Copper pl. .0005 min	Brass Nickel pl. .0001 min over Copper pl. .00005 min	Beryllium Copper Gold pl. .00001 min over Nickel pl. .00005 min	Teflon	Teflon	Copper Nickel pl. .0001 min over Copper pl. .00005 min		

SPECIFICATIONS:
 IMPEDANCE: 50 OHMS
 FREQUENCY RANGE: 0-11 GHZ
 WORKING VOLTAGE: 1000 VRMS
 DIELECTRIC WITHSTANDING VOLTAGE: 2500 VRMS

MECHANICAL:
 CABLE ACCEPTABILITY:
 134-0303-406/407 RG 316, RG 188, RG 161, RG 174
 134-0304-406/407 DOUBLE SHIELDED RG 316, DOUBLE SHIELDED RG 188
 134-0307-406/407 RG 58, RG 141, RG 303
 134-0308-406/407 RG 142, RG 223, RG 400, RG 55



Recommended Mounting Hole



Cable Strip Dimensions

Made in America

REF JCS009*