



PLASTI-GRIP | PLASTI-GRIP

TE Part # 52949

TE Internal #: 52949

[View on TE.com >](#)

Terminals & Splices > Rings & Spades



Terminal & Splice Type: **Spring Spade**

Wire Size: **509 – 3260 CMA**

Stud Size: **#6, M3.5**

Features

Product Type Features

Shape Description	SPADE-029
Stud Size	#6, M3.5
Barrel Type	Closed Barrel
Sealable	No
Insulated	Yes
Wire/Cable Type	Regular Wire
Support Style	Insulation Support

Configuration Features

Terminal Angle	Straight
----------------	----------

Electrical Characteristics

Voltage (Max)	600 V
---------------	-------

Body Features

Inspection Slot	No
Insulation Sleeve Color	Red
Plating Material	Brass, Tin

Contact Features

Terminal & Splice Type	Spring Spade
Terminal Orientation	Offset

Mechanical Attachment

Wire Insulation Support	With
-------------------------	------



Dimensions

Wire Size	509 – 3260 CMA
Stud Diameter	3.56 mm[.14 in]
Tongue Thickness	.79 mm[.031 in]
Overall Length	20.599 mm[.811 in]
Wire Insulation Diameter	2.67 – 3.56 mm[.105 – .14 in]

Usage Conditions

Operating Temperature Range	105 °C[221 °F]
-----------------------------	----------------

Operation/Application

Heavy Duty	No
------------	----

Industry Standards

Government Qualified	No
----------------------	----

Packaging Features

Packaging Quantity	1000
Packaging Method	Loose Piece

Product Compliance

[For compliance documentation, visit the product page on TE.com>](#)

EU RoHS Directive 2011/65/EU	Compliant
EU ELV Directive 2000/53/EC	Compliant
China RoHS 2 Directive MIIT Order No 32, 2016	No Restricted Materials Above Threshold
EU REACH Regulation (EC) No. 1907/2006	Current ECHA Candidate List: JAN 2019 (197) Candidate List Declared Against: JUN 2018 (191)
Halogen Content	Not Low Halogen - contains Br or Cl > 900 ppm.
Solder Process Capability	Not applicable for solder process capability

Product Compliance Disclaimer

This information is provided based on reasonable inquiry of our suppliers and represents our current actual knowledge based on the information they provided. This information is subject to change. The part numbers that TE has identified as EU RoHS compliant have a maximum concentration of 0.1% by weight in homogenous materials for lead, hexavalent chromium, mercury, PBB, PBDE, DBP, BBP, DEHP, DIBP, and 0.01% for cadmium, or qualify for an exemption to these limits as defined in the Annexes of Directive 2011/65/EU (RoHS2). Finished electrical and electronic equipment products will be CE marked as required by Directive 2011/65/EU. Components may not be CE marked. Additionally, the part numbers that TE has identified as EU ELV compliant have a maximum concentration of 0.1% by weight in homogenous materials for lead, hexavalent chromium, and mercury, and 0.01% for cadmium, or qualify for an exemption to these limits

as defined in the Annexes of Directive 2000/53/EC (ELV). Regarding the REACH Regulations, TE's information on SVHC in articles for this part number is still based on the European Chemical Agency (ECHA) 'Guidance on requirements for substances in articles'(Version: 2, April 2011), applying the 0.1% weight on weight concentration threshold at the finished product level. TE is aware of the European Court of Justice ruling of September 10th, 2015 also known as O5A (Once An Article Always An Article) stating that, in case of 'complex object', the threshold for a SVHC must be applied to both the product as a whole and simultaneously to each of the articles forming part of its composition. TE has evaluated this ruling based on the new ECHA "Guidance on requirements for substances in articles" (June 2017, version 4.0) and will be updating its statements accordingly.

Compatible Parts

TE Part # 59824-1
TETRA-CRIMP HT ASSY

TE Part # 58423-1
DIE, RBY IS9252

TE Part # 2063030-1
SDE DIESET, RBY, UL

TE Part # 525690
20-18 PIDG D.A.H.T.ASSY

TE Part # 58433-3
PRO CR ASSY, RBY IS9252

TE Part # 47386
CERTI-CRIMP PIDG 22-16
DAHT

TE Part # 47386-4
22-16 PIDG D.A.H.T ASSY
***PL

TE Part # 47806-2
DIE PIDG 69365 46110 22-16

TE Part # 539691-2
ERGO DIE R.B.Y

TE Part # 59300
T-HD HT, PIDG 24-16

TE Part # 59250
T-HD HT, PIDG 22-14

Also in the Series | PLASTI-GRIP

Crimp Wire Pins, Tabs & Ferrules(11)

Rings & Spades(208)

Splices(45)

Customers Also Bought



TE Part #207516-5
HDP-20,RCPT,SIZE 3, 25
POSN,CL



TE Part #1658642-1
HDP-20,PLUG,SIZE 1, 9
POSN,CLI



TE Part #1658644-1
HDP-20,RCPT,SIZE 2, 15
POSN,CL



TE Part #3-747579-4
SHLDNG FERRULE, PLTD,
BULK PKG



TE Part #34144
PG R 22-16 COMM 22-18
MIL 6



TE Part #3-747579-2
SHLDNG FERRULE, PLTD,
BULK PKG



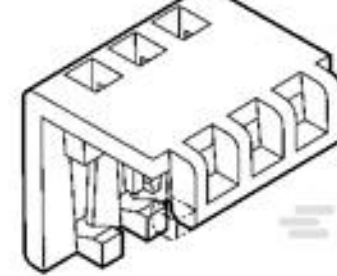
TE Part #52955
TERMINAL,PG SPR SPD 16-
14 6



TE Part #52949-1
PG SPR SPD 22-16COMM
22-18MIL6



TE Part #640903-2
RECEPT,PIDG FASTON 22-
18 250



TE Part #643075-7
07P MTA100 MOLDED
COVER

Documents

Product Drawings

[PG SPR SPD 22-16COMM 22-18MIL6](#)

English

CAD Files

Customer View Model

[ENG_CVM_52949_N1.2d_dxf.zip](#)

English

Customer View Model

[ENG_CVM_52949_N1.3d_igs.zip](#)

English

Customer View Model

[ENG_CVM_52949_N1.3d_stp.zip](#)

English

3D PDF

English

Product Specifications

[Application Specification](#)



English

Product Environmental Compliance

[MD_52949_05092013749_dmtec](#)

English

[MD_52949_05092013749_dmtec](#)

English

Instruction Sheets

[AMP* PIDG* \(VINYL\) & PLASTI-GRIP* SHORT SPRING SPADE TERMINALS FOR BAR](#)

English

[Instruction Sheet \(U.S.\)](#)

English

Agency Approvals

[UL Report](#)

English

[UL Report](#)

English