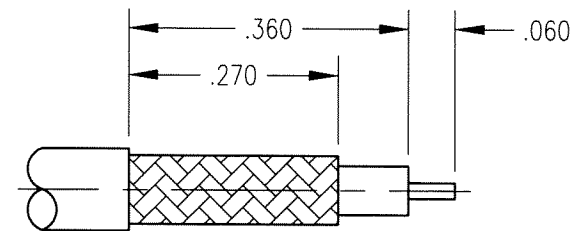
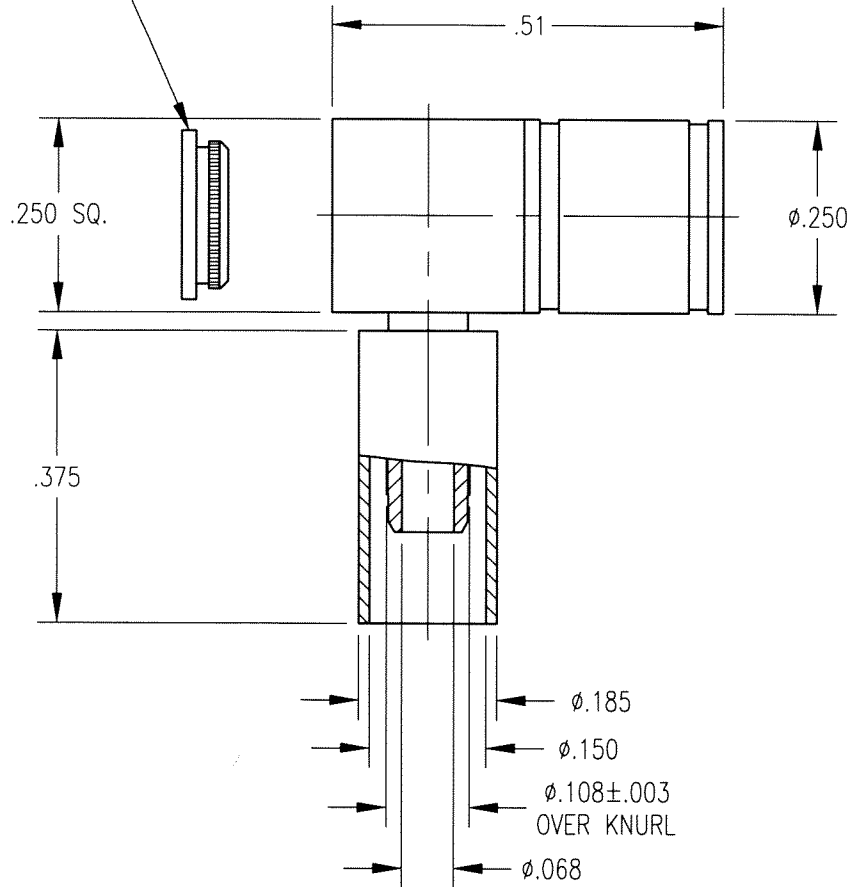


DWG NO.		512-900-0637N	
REV	DESCRIPTION	BY DATE	APPD
G	ECR 6926	JED 7/16/01	[Signature]

CAP SHIPPED LOOSE



CABLE TRIMMING DIMENSIONS

NOTES:

- SPECIAL FOR ASTROLAB
- MATERIALS:  
CONTACT: COPPER ALLOY  
RING: BERYLLIUM COPPER PER ASTM B194  
FERRULE: BRASS TUBING PER ASTM B135  
ALL OTHER METAL PARTS: BRASS PER ASTM B16  
INSULATOR: TEFLON PER ASTM D1710
- FINISHES:  
CONTACT: .000030 GOLD PER MIL-G-45204 OVER  
.000050 NICKEL PER QQ-N-290  
ALL OTHER METAL PARTS: .000100 NICKEL PER QQ-N-290  
OVER COPPER FLASH
- MANUFACTURED IN THE USA.

PER ASME Y14.5M-1994 UNLESS OTHERWISE SPECIFIED: DIMENSIONS ARE IN INCHES (MM)		<b>Litton</b>	
TOLERANCES: DECIMALS .xx ± .01/0.254 xxx ± .005/0.127 ANGLES ± 2°		Winchester/Retconn 400 Park Road Watertown, Connecticut 06795	
<b>CUSTOMER DRAWING</b>		TITLE SMB RIGHT ANGLE PLUG	
DRAWN JED	DATE 11/20/97	CHECKED JMC	DATE 11/20/97
APPROVED AT	DATE 11/20/97	APPROVED AT	DATE 11/20/97
A		512-900-0637N	SHT. 1 OF 1 REV. G