

FEATURES

- Options for Input Drive of 0 dBm or +10 dBm
- Low Bias Voltage (+ 5V +/- 0.2V)
- Broadband Output Spectrum
- Hermetically Sealed Module
- Field Removable Connectors for Drop-In Assembly
- Custom Input Frequency Available from 10MHz to 10GHz
- Drop-In Module Available (0.750" L x 0.248" W x 0.130" T)



APPLICATIONS

- Impulse Generator
- Frequency Multipliers
- Frequency Synthesizers
- Built-In-Self-Test Sources

ENVIRONMENTAL RATINGS

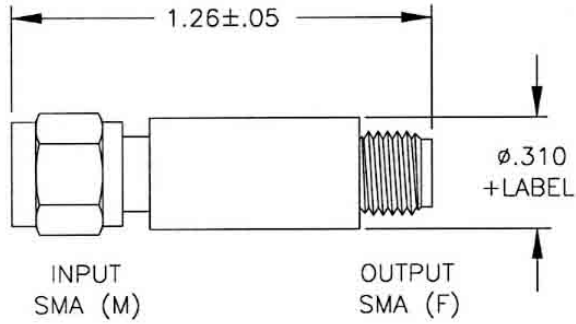
Max Input Power.....	100m Watt
Operating Temperature.....	-55°C to +95°C
Storage Temperature.....	-65°C to +125°C
Temperature Cycling.....	-65°C to +125°C
Shock.....	50 G, 11 msec
Vibration.....	20 G, 100 to 2,000 Hz

Specifications: (@ +25°C)

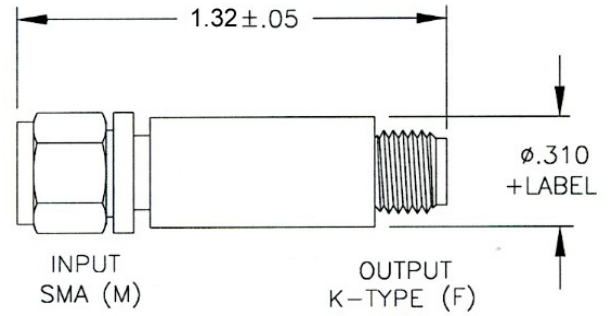
MODEL ^{4,5,6}	INPUT POWER (dBm)	INPUT ³ FREQ. (MHz)	MAX INPUT VSWR	MINIMUM OUTPUT POWER PER PICKET (dBm)					OUTLINE
				UP to 4 GHz	4 - 8 GHz	8 - 12.4 GHz	12.4 - 18 GHz	18 - 26 GHz	
GCA100A	0	100	2:1	-12	-20	-30	-40	--	3A
GCA100B	+10								
GCA200A	0	200	2:1	-7	-15	-25	-35	--	3A
GCA200B	+10								
GCA250A	0	250	2:1	-2	-10	-20	-30	--	3A, N3
GCA250B	+10								
GCA500A	0	500	2:1	+3	-5	-15	-20	--	3A, N3
GCA500B	+10								1A, N3
GCA1000A	0	1000	2:1	+3	0	-10	-15	--	3A, N3
GCA1000B	+10								1A, N3
GCA0526A	0	500	2:1	+3	-5	-15	-20	-40	3A, N3
GCA0526B	+10								1A, N3
GCA1026A	0	1000	2:1	+3	0	-10	-15	-35	3A, N3
GCA1026B	+10								1A, N3
GCA1526A	0	1500	2:1	+3	0	-5	-10	-25	3A, N3
GCA1526B	+10								1A, N3
GCA2026A	0	2000	2:1	+3	0	0	-10	-20	3A, N3
GCA2026B	+10								1A, N3

Note 1: All units do not have internal regulator and will be permanently damaged if more than +5.2V of bias is used.
 Note 2: Bias voltage: +5 ± 0.2V. Current: 150mA nominal for "B" Model, 200mA for "A" Model
 Note 3: Other input frequencies from 10 MHz to 10 GHz are available. Contact factory for information.
 Note 4: Add "X" to "A" or "B" models if an enhanced assembly version is desired for more severe vibration environments.
 Note 5: Add "-12" or "-15" to the end of model number if DC bias of +12V or +15V is desired. In this case a larger outline might be necessary.
 Note 6: Model No. as is for "3A" or "1A" outline. Add N3 to the end of the Model No. for "N3" drop-in outline

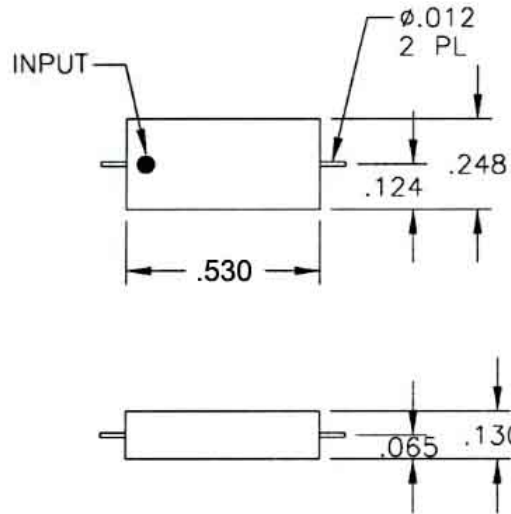
For Package Outlines see Outline Drawings Page



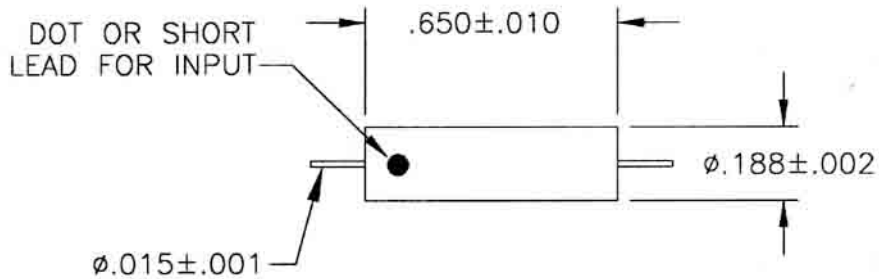
OUTLINE C



OUTLINE C2



OUTLINE L



OUTLINE Y

NOTE: BLACK DOTS SHOWN INDICATE RF INPUT

