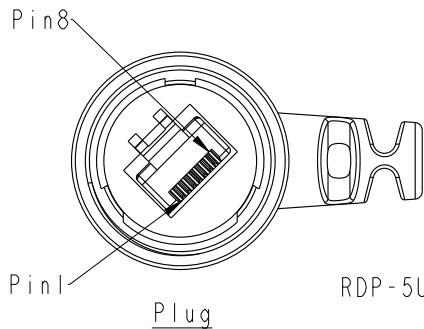
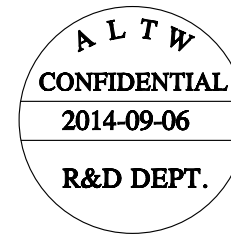
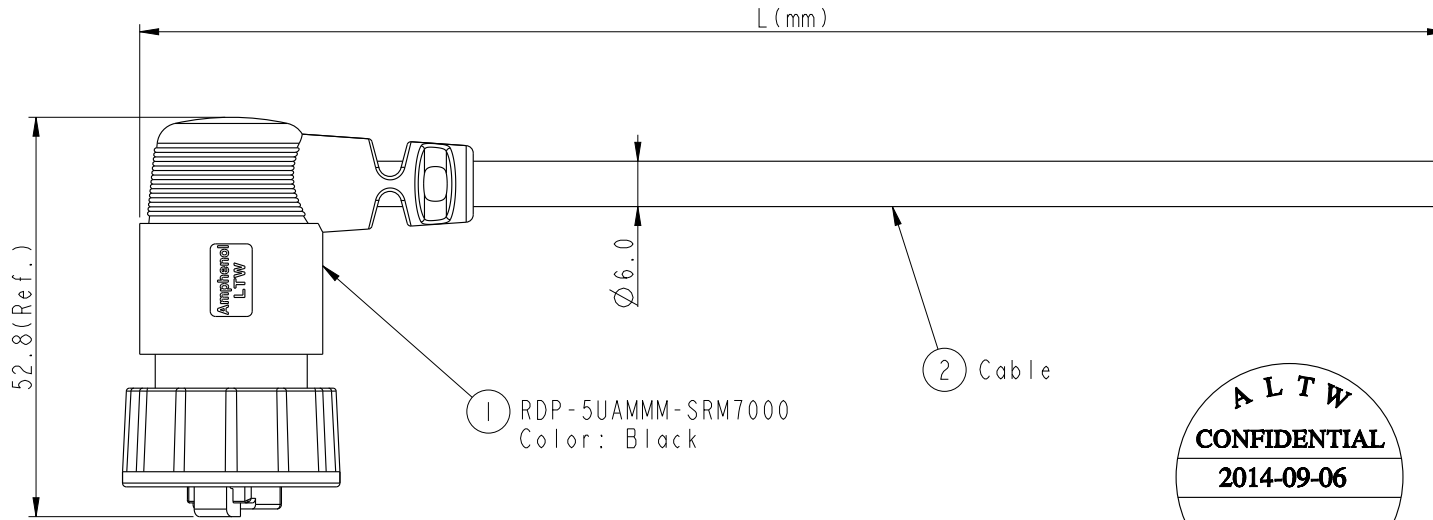


REV.	ECN NO.	DATE	SIGN	DESCRIPTION
B	LEN1490332	2014-09-06	Joyy	Change to 94V0 material



RDP-5UAMMM-SRM7AXX

XX: 01~99Meter
 01: 01Meter
 02: 02Meters
 :
 :
 99: 99Meters
 Cable Length(L):01~99Meters

X:
 (A)CAT5E UTP

Note:

- * $\text{\textcircled{C}}$ Important Dimension To Check.
- * Waterproof Rate: IP67
- * Plug: PC, Gold Plated
- * Screw Nut: Nylon+GF, Black
- * $\text{\textcircled{B}}$ Gasket: Silicone, Gray
- * Cable: CAT5E UTP, OD: $\text{\textcircled{D}}$ 6.0mm, Black
- * Cable Length Tolerance: 01M: $\pm 40\text{mm}$
 02~05M: $\pm 60\text{mm}$
 06~10M: $\pm 100\text{mm}$
 11~30M: $\pm 200\text{mm}$
 30~99M: $\pm 500\text{mm}$

Brown	棕	8	Twist 對絞
White/Brown	白/棕	7	
Green	綠	6	Twist 對絞
White/Blue	白/藍	5	
Blue	藍	4	Twist 對絞
White/Green	白/綠	3	
Orange	橘	2	Twist 對絞
White/Orange	白/橘	1	
Wire Color		Plug	
Pin Out			

UNIT:mm		TITLE	RJ D SIZE RIGHT ANGEL CABLE	
TOLERANCE	± 0.5	SCALE	1:1	SIZE A4
		REV.	B	WC-REV. A.11
			$\text{\textcircled{C}}$: Inspection item	

Amphenol LTW
 安費諾亮泰企業股份有限公司

ITEM NO	DRAWN BY	DATE
	Joyy	2014-09-06
DWG NO	CHECKED BY	DATE
RDP-5UAMMM-SRM7AXX	Tom	2014-09-06
CUSTOMER	APPROVED BY	DATE
ALTW	Victor	2014-09-06

THIS DOCUMENT IS SUBJECT TO CHANGE WITHOUT NOTICE. IT IS CONFIDENTIAL AND A PROPERTY OF Amphenol LTW. DISCLOSURE TO THIRD PARTY HAS TO BE AUTHORIZED BY Amphenol LTW.