

CGA3E3X8R1H104K080AB

TDK Item Description : CGA3E3X8R1H104KT*****

Equivalent C1608X8R1H104K for Automotive

Application & Main Feature

Automotive Grade (High Temperature Application)

Series

CGA3(1608) [EIA CC0603]

Dimensions

L	1.60mm	+/-0.1mm
W	0.80mm	+/-0.1mm
T	0.80mm	+/-0.1mm
B	0.20mm	Min.
G	0.30mm	Min.

Temperature Characteristic

X8R (-55 to 150 degC +/-15%)

Rated Voltage

1H (50Vdc)

Capacitance

100nF

Capacitance Tolerance

K (+/-10%)

Dissipation Factor

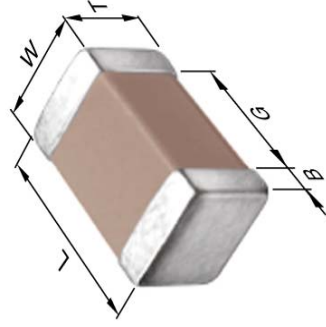
3% Max.

Insulation Resistance

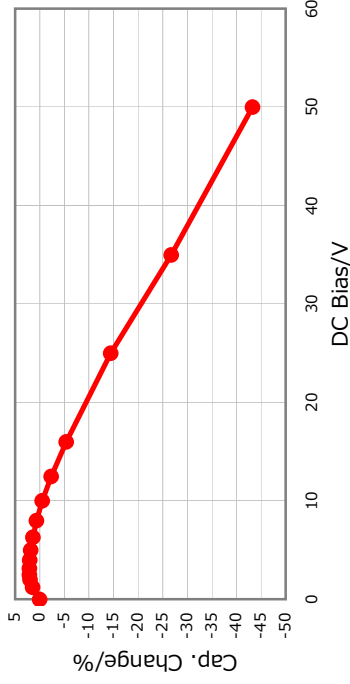
5Gohm Min.

AEC-Q200

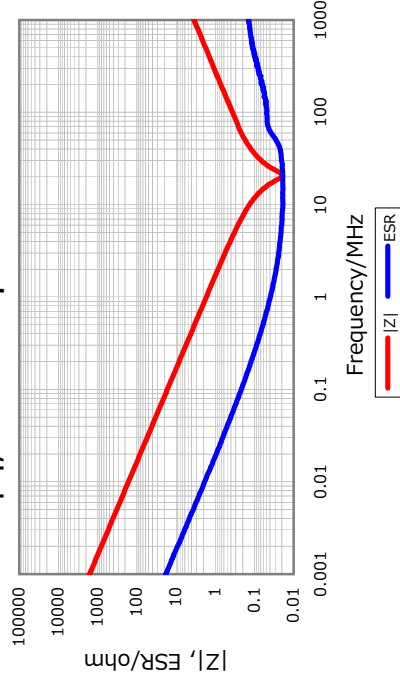
Yes



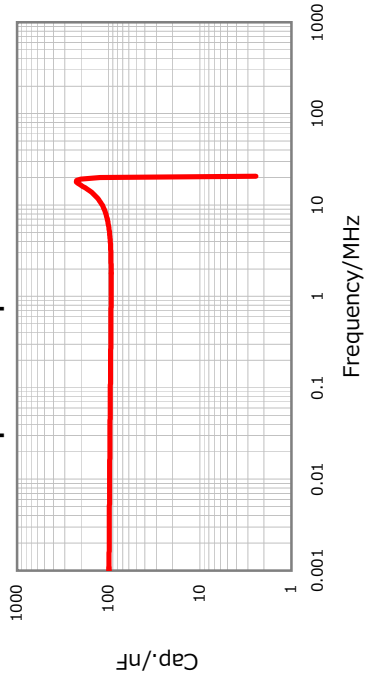
DC Bias Characteristic



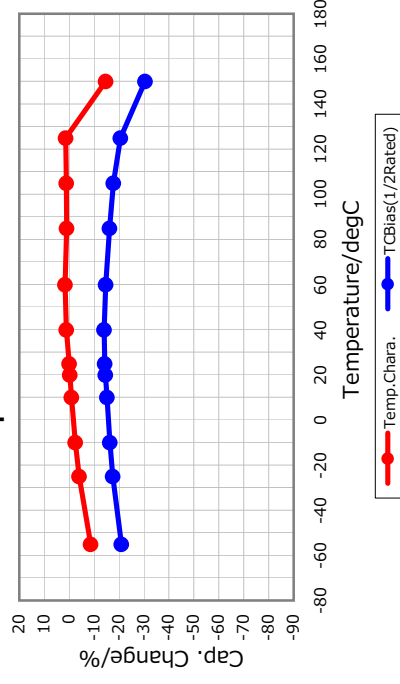
|Z|, ESR vs. Freq. Characteristics



Cap. vs. Freq. Characteristic



Temperature Characteristics



Ripple Temperature Rise Characteristics

