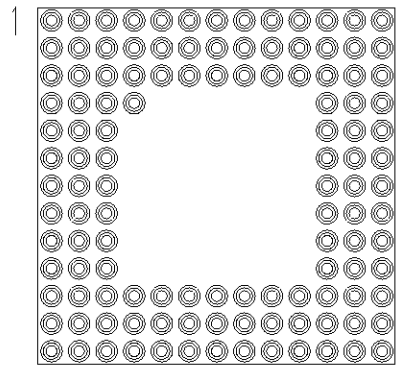


DRAWING NO
C - 210789

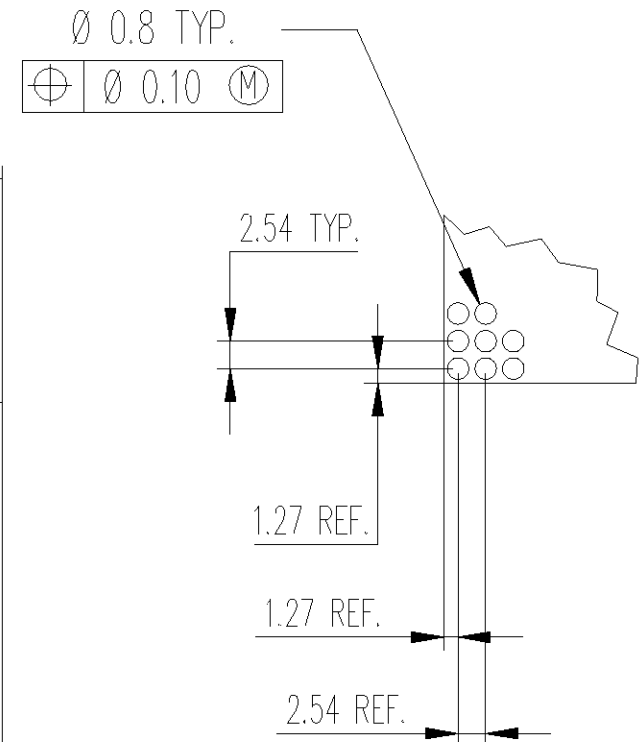
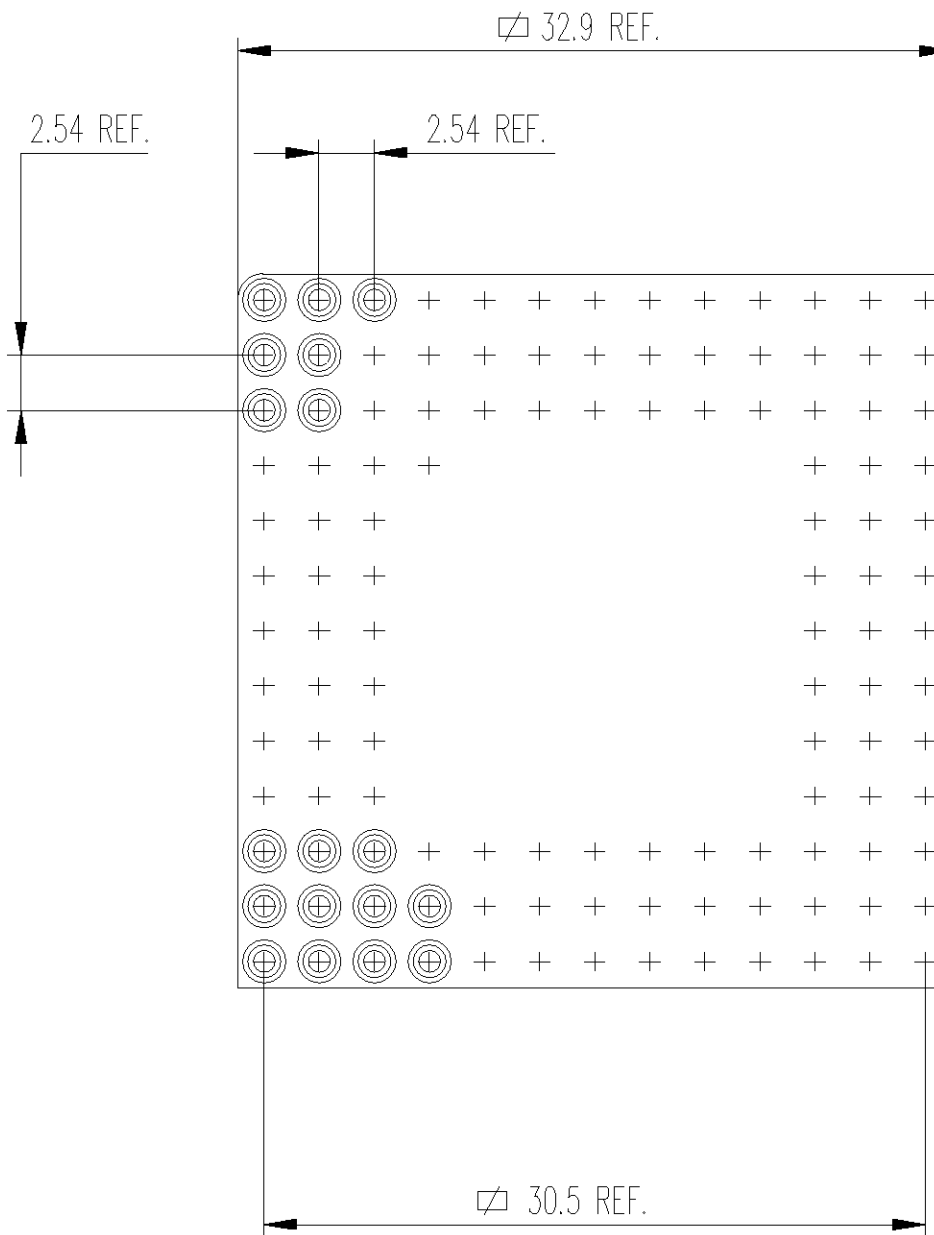
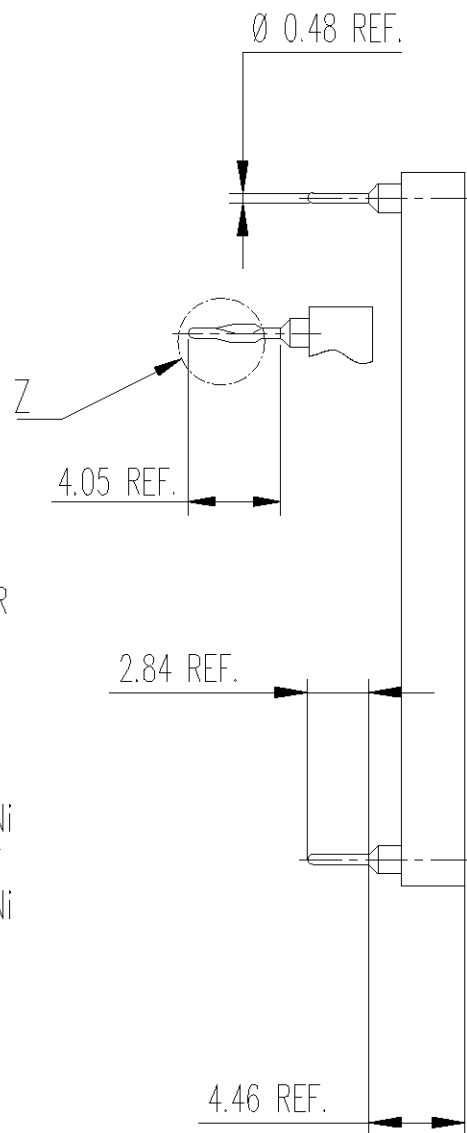


121 positions
Ech. 1:1

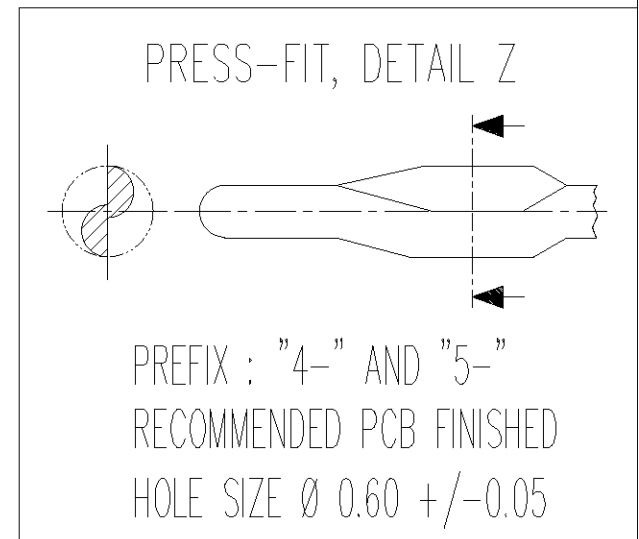
NOTE :

1. MATERIAL
 - INSULATOR : GLASSFILLED THERMOPLASTIC POLYESTER
 - SOLDER TAIL SLEEVE : BRASS
 - PRESS-FIT SLEEVE : PHOSPHOR BRONZE
 - CLIP : STAMPED BERYLLIUM COPPER
2. SLEEVE PLATING:
 - PREFIX "0-" AND "2-": 5µm Sn/Pb OVER 2-3µm Ni
 - PREFIX "1-" AND "3-": 0.25µm Au OVER 2-3µm Ni
 - PREFIX "4-" AND "5-": 3µm Sn/Pb OVER 2-3µm Ni
3. INNER CONTACT PLATING
 - SUFFIX "-1" 0.25µm 18c. Au
 - SUFFIX "-3" 0.75µm 18c. Au
 - SUFFIX "-4" 0.75µm 24c. Au
 - SUFFIX "-5" 5µm MIN. Sn/Pb **
 - SUFFIX "-6" 0.1µm FLASH 24c. Au
 - SUFFIX "-7" 0.60µm 18c. Au
 - ** ONLY WITH PREFIX "0-", "2-", "4-" AND "5-"
4. INNER SPRING CONTACT ACCEPT Ø 0.40 TO 0.56
OR RECTANGULAR PIN 0.25 x 0.45
5. INSERTION CHARACTERISTICS:
 - PREFIX "0-", "1-" AND "4-": VERY LOW FORCE
 - PREFIX "2-", "3-" AND "5-": ULTRA LOW FORCE
6. MECHANICAL DATA WITH A Ø 0.43 TEST PIN :

	VLI	ULI
-MAX. INSERTION FORCE :	0.7N	0.2N
-MIN. EXTRACTION FORCE :	0.1N	0.05N
-MECHANICAL LIFE : 100 CYCLES MIN.		



RECOMMENDED P.C.
BOARD PATTERN



DIMENSIONS	mm							DRAWN P.-A. MEIER	02 APR 97	THIS INFORMATION IS CONFIDENTIAL AND IS DISCLOSED TO YOU ON CONDITION THAT NO FUTHER DISCLOSURE IS MADE BY YOU TO OTHER THAN AMP PERSONNEL WITHOUT WRITTEN AUTHORIZATION FROM DSM SWITZERLAND.			
								CHECKED A. BOLIS	03 APR 97				
SURFACE TEXTURE								APPROVED					
CONCENTRICITY		0.15	A1	DRAWING UPDATED	P.-A. MEIER	14 APR 98		CUSTOMER DRAWING FOR REFERENCE ONLY		NAME CLOSED FRAME PGA 13 x 13, 121 SOCKETS			
PRODUCT SPEC.			P	REV	ECN	DRWN	DATE				APVD		
AMP DSM DECOLLETAGE SA SAINT-MAURICE CH 1890 SAINT-MAURICE (VS)								LOC	SCALE	SIZE	DRAWING NO	SHEET	REVISION
								EK	2/1	A4	C - 210789	1 of 1	A1