

## Features

- Actuator centered on spring prevents deterioration of operating feel from misalignment of switch & knob
- Sharp click feel and long operating life
- IP68 dust / water resistance



## Applications

- Smartphones
- Digital cameras
- Gaming devices
- Wearables
- Outdoor equipment (dusty environment)

## Part Number Code

Series	Height	Actuator Type	Operating Force	Ablation Terminal	
<div style="display: flex; gap: 5px;"> <div style="border: 1px solid black; width: 20px; height: 20px;"></div> <div style="border: 1px solid black; width: 20px; height: 20px;"></div> <div style="border: 1px solid black; width: 20px; height: 20px;"></div> </div> <p>STU</p>	<div style="display: flex; gap: 5px;"> <div style="border: 1px solid black; width: 20px; height: 20px;"></div> <div style="border: 1px solid black; width: 20px; height: 20px;"></div> <div style="border: 1px solid black; width: 20px; height: 20px;"></div> </div> <p>057 (0.57mm) 060 (0.60mm)</p>	<div style="border: 1px solid black; width: 20px; height: 20px;"></div> <p>A</p>	<div style="border: 1px solid black; width: 20px; height: 20px;"></div> <p>23 (2.25N) 30 (3.0N)</p>	<div style="border: 1px solid black; width: 20px; height: 20px;"></div> <p>A (IP68)</p>	<div style="border: 1px solid black; width: 20px; height: 20px; display: flex; align-items: center; justify-content: center;"> <span>X</span> </div>

## Specifications

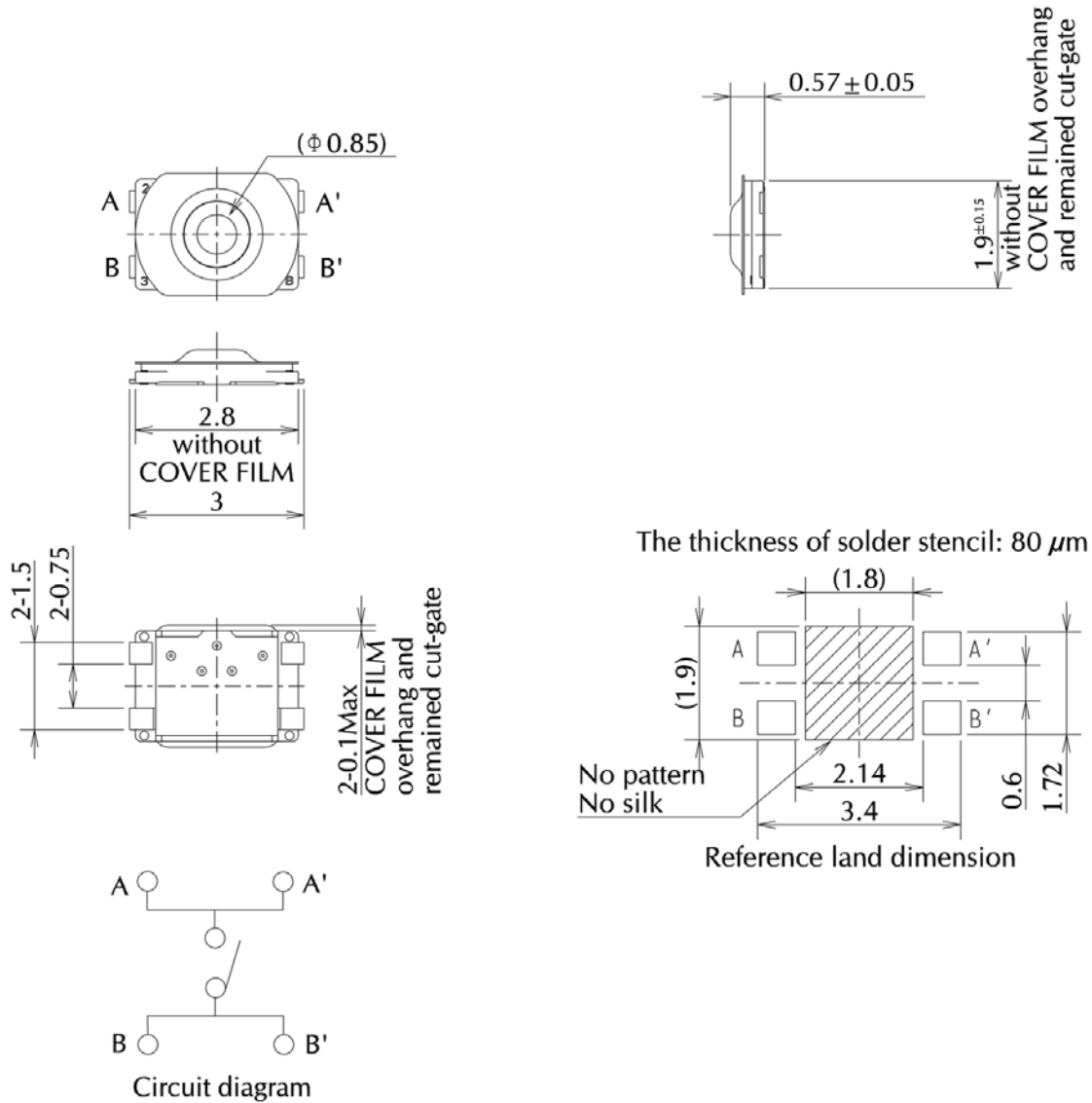
Switch Type	SPST	Tactile
Electrical Characteristics	Rating (Resistive Load)	DC15V, 20mA (maximum) DC2V, 10µA (minimum)
	Contact Resistance	500Ω or less
Life	STU-057A23AC	500,000 times
	STU-060A30AX	300,000 times
Dust / Water Resistance	Protective Resistance	IP68 (1.5m depth x 30 min.)

## Type

Model Name	Model No.	Operating Force	Travel	Click Ratio	Pcs/Reel
STU-057A23AC	R 668127	2.25N	0.15mm	≥ 40%	20,000
STU-060A30AX	R 668098	3.0N	0.15mm	≥ 35%	20,000

## Dimensions

STU-057A23AC



## Dimensions

STU-060A30AX

