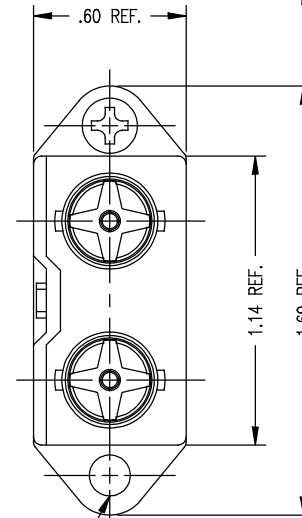
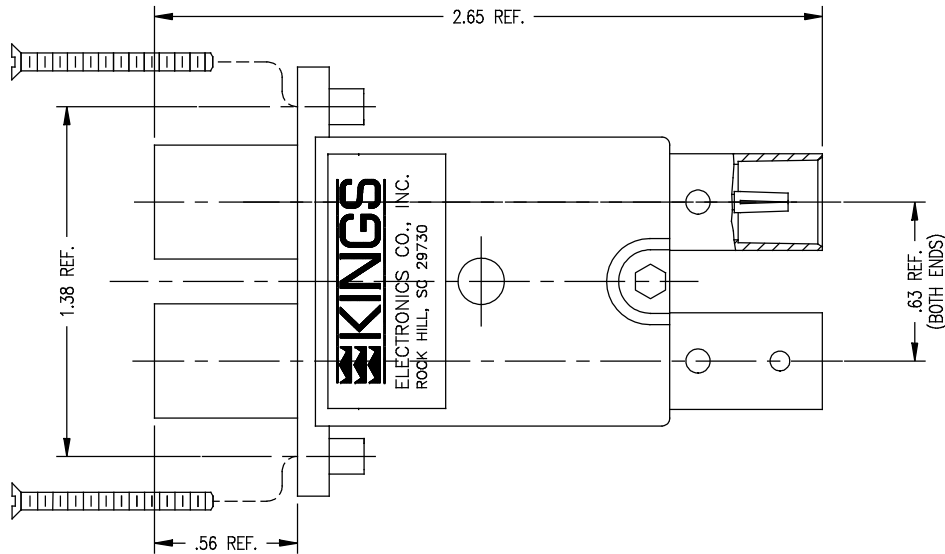
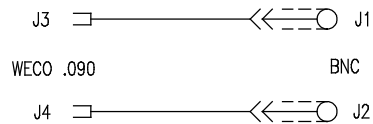
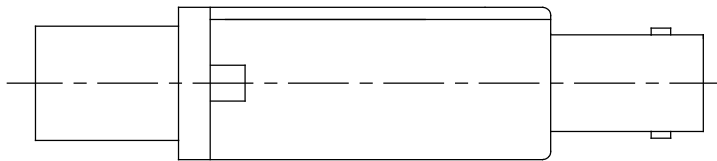


GSD



.16 D. REF.
(2 MOUNTING HOLES)



NOTES:

1. INTERFACE PER MIL-STD-348, FIG. 301-2 (AS APPLICABLE).
2. MATERIALS:
 BODY: ZINC (ZAMACK)
 CONTACTS: BER. COPPER, ASTM-B-196
 INSULATING MATERIALS: ZYTEL, ASTM-D-4894
 HARDWARE: STAINLESS STEEL
 ALL OTHER METAL PARTS: BRASS, ASTM-B16
3. FINISHES:
 CONTACTS: HARD GOLD PLATE PER ASTM-B488 OVER
 NICKEL PLATE PER SAE-AMS-QQ-N-290.
 HARDWARE: PASSIVATE PER SAE-AMS-QQ-P-35
 ALL OTHER METAL PARTS: NICKEL PER SAE-AMS-QQ-N-290
4. MECHANICAL CHARACTERISTICS: 50,000 LIFE CYCLES MIN.
5. ELECTRICAL CHARACTERISTICS:
 IMPEDANCE: 75 OHMS
 FREQUENCY RANGE: DC TO 3.3 GHz.

REVISIONS	
ISSUE	CHANGES
0	ER 38999 JLA 01/12/04
1	CN 39090 E JLA 05/07/04
2	CN 39197 C JLA 12/07/04
3	CN 39251 C JLA 03/21/05
4	CN 39662 C DCT 10/16/6

7780-10

7780-10SD

SCALE 2:1

APPROX SURFACE AREA

USED ON

REF:

JACK, DUAL, VIDEO,
SERIAL DIGITAL

DRAWN JLA	DATE 01/12/04
DESIGN JLA	DATE 01/12/04
APPR.	DATE

KINGS
ELECTRONICS CO., INC.
ROCK HILL, SOUTH CAROLINA 29730

7780-10

GSD