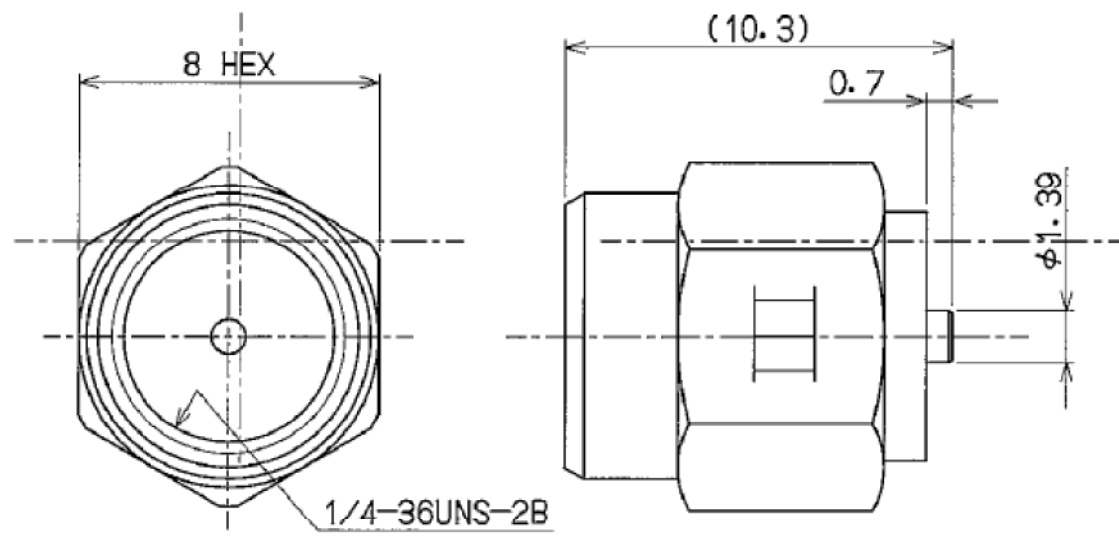


PART NO.
90285-***

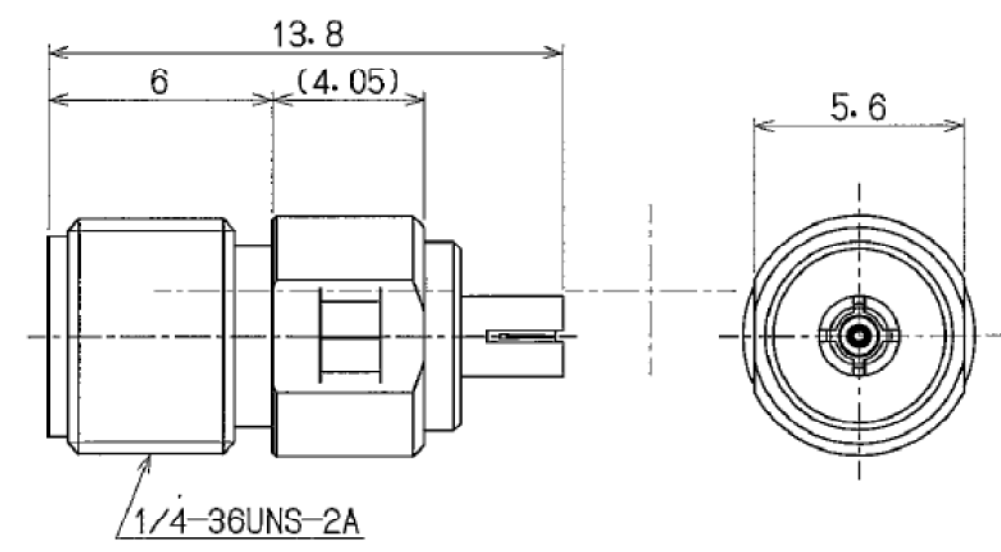
Part No. 90285-001
SMA adapter of MHFⅢ-receptacle & SMA-plug



Notes

1. Material
 - (1) Insulator
Fluorine plastics
 - (2) Contact
Brass, Gold plating
 - (3) Shell
Stainless steel, Gold plating
 - (4) Nut
Passivated stainless steel
 - (5) Gasket
Rubber
2. Durability : 3000 cycles MAX. at MHFⅢ side
3. Suggestion
Please use this connector
for measuring the Propagation
Performance.

Part No. 90285-002
SMA adapter of MHFⅢ-plug & SMA-receptacle



Notes

1. Material
 - (1) Insulator
Fluorine plastics
 - (2) Inner contact
Beryllium copper, Gold plating
 - (3) Outer contact
Beryllium copper, Gold plating
 - (4) Shell
Passivated stainless steel
2. Durability : 500 cycles MAX. at MHFⅢ side
3. Suggestion
Please use this connector
for measuring the Propagation
Performance.

GENERAL TOLERANCE	
6 MAX.	±0.2
6 OVER MAX. 30	±0.3
30 OVER MAX. 120	±0.5
ANGLE	±2°

I-PEX DAI-ICHI SEIKO CO.,LTD.
I-PEX Business Company

TITLE
SMA adapter of MHFⅢ

CUSTOMER COPY	PROJECTION	SCALE	UNIT	DWG. No.	SHEET	REV.
		5/1	mm	90285	1/1	0