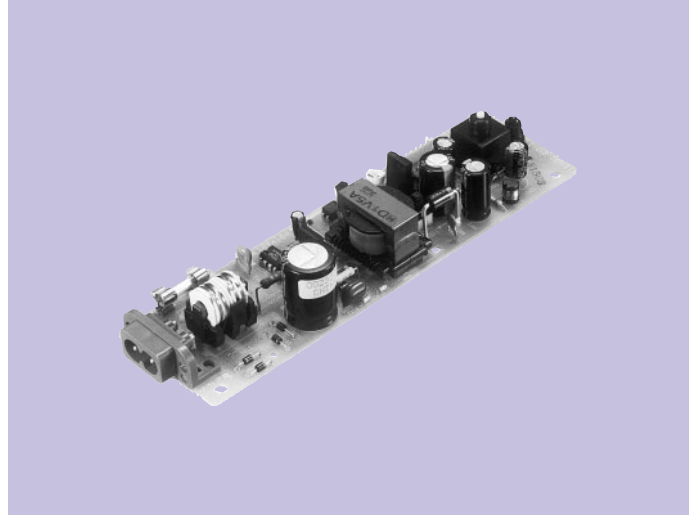


Switching Power Supply For Game Equipment with Built-in CD-ROM SR670 Series

FEATURES

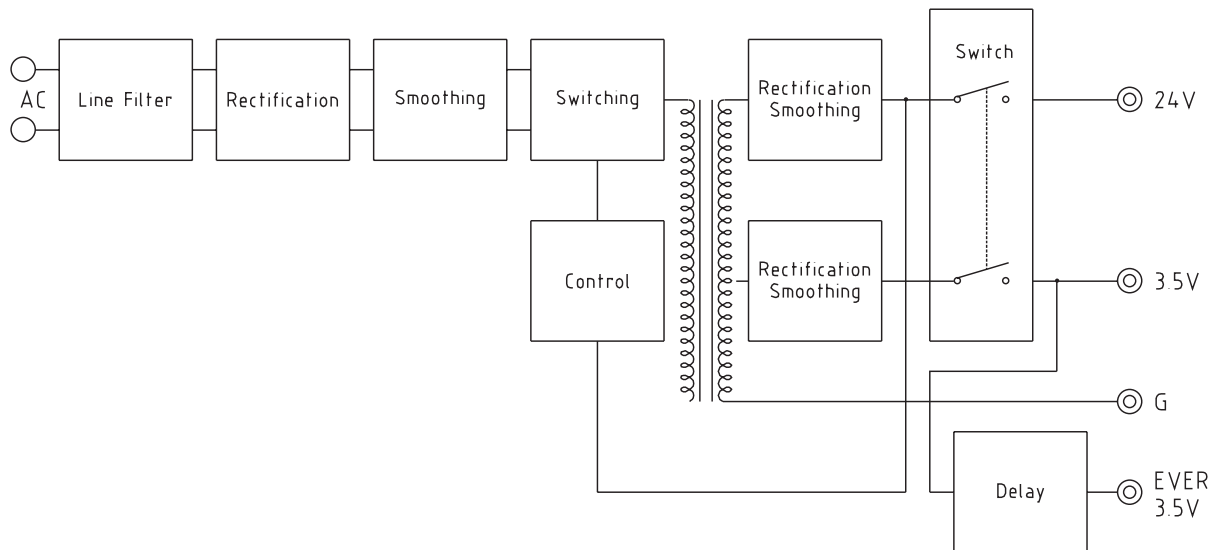
- 1. Built-in others on-off secondary output switch.
- 2. Built-in secondary reset signal output circuit.
- 3. Low heat generation due to on-off type switching power supply.
- 4. Custom power source to meet user specifications.



APPLICATIONS

- 1. For game equipment with built-in CD-ROM

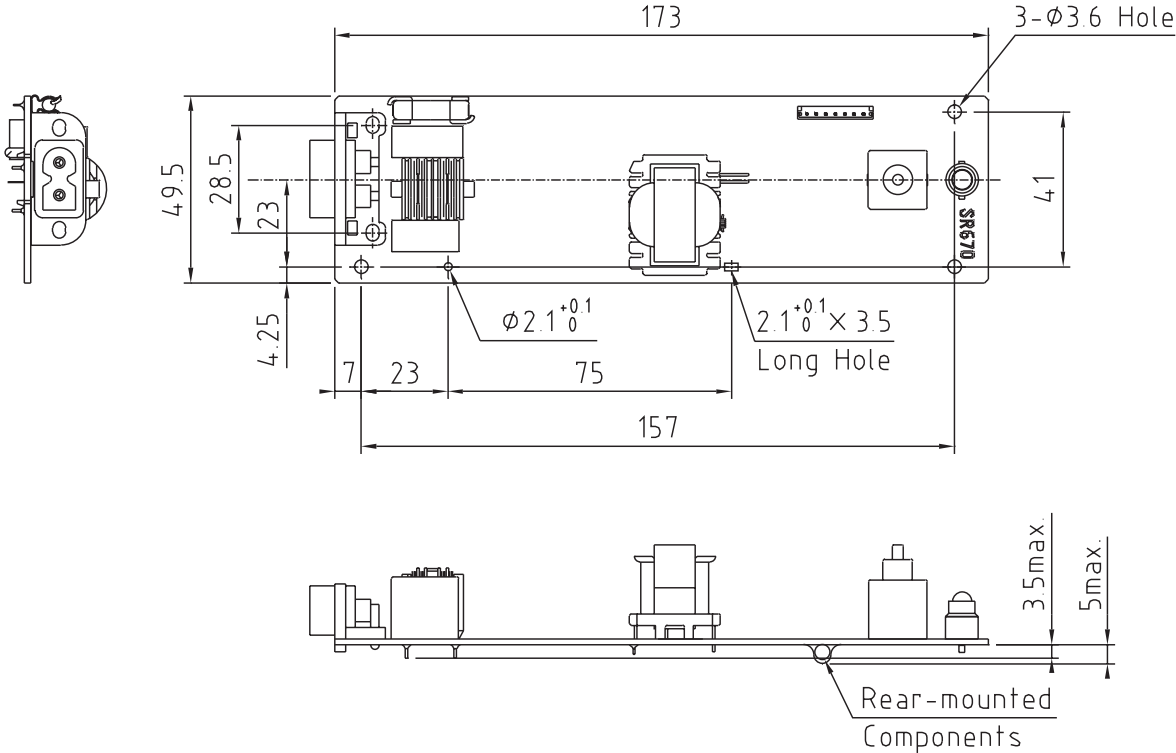
BLOCK DIAGRAM



SPECIFICATIONS

Item	Specifications	
Models	SR670	SR674
Destination	USA	Japan
Input Voltage	AC 102~138V	AC 85~115V
Output Voltage-Current	3.5V	2A
	8V	1.5A (Peak 2A)
	EVER 3.5V	0.03A
Reset Circuit	Yes	Yes

DIMENSIONS



Unit : mm