

NOTES:

1. MATERIALS AND FINISHES(IN MICRO-INCHES):

- BODY = ZINC DIECAST (PER ASTM-B86,UNS Z33520), MATTE TIN PL. 100 MIN. THICK OVER NICKEL PL. 100 MIN. THICK OVER COPPER PL.(250 MIN./300 MAX.) THICK
- CONTACT = BERYLLIUM COPPER (PER QQ-C-530), GOLD PL. 30 MIN. THICK OVER NICKEL PL. 100 MIN. THICK OVER NICKEL STRIKE
- INSULATOR = PTFE PER ASTM D1710, COLOR: NATURAL.
- HOUSING = PPE+PS, UNFILLED, COLOR & KEYING PER AMPHENOL SPEC. FAKRA-KEY-JACK (REFER TO TABLE BELOW FOR KEY CODE)
- FERRULE = COPPER, PER ASTM B-75 ALLOY C12200, NICKEL PL. 100 MIN. THICK OVER COPPER STRIKE

- 2. ELECTRICAL:
 - A. IMPEDANCE: 75 OHM (NOMINAL)
 - B. FREQUENCY RANGE: DC - 200 MHz
 - C. VSWR(RETURN LOSS): 1.400 (-15.6 dB), MAX. (MATED PAIR)
 - D. DIELECTRIC WITHSTANDING VOLTAGE: 800 VRMS, MIN.

- 3. MECHANICAL:
 - A. DURABILITY: 100 CYCLES MIN.
 - B. TEMPERATURE RANGE: -40° C TO 85° C

- 4. PACKAGING:
 - A. MARKING: TRAY TO BE MARKED "AMPHENOL,3FAI-NXRJ-C65-3 (PER TABLE), AND DATE CODE"

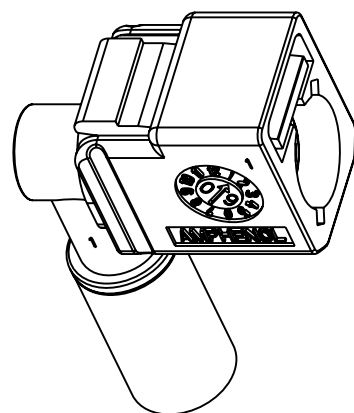
- 5. CRIMPED FERRULE HEX CRIMP SIZE .255" CONTACT PIN TO SOLDER

- 6. ALL DIMENSIONS MECHANICAL & ELECTRICAL DESIGN COMPLY WITH DIN 72594-1 AND USCAR-18 SPEC.

- 7. CABLE ASSEMBLY INSTRUCTIONS PER 349-50785

CONFIGURATION CONTROL:
NO CHANGES PERMITTED TO DRAWING WITHOUT PPAP QUALIFIED CUSTOMER APPROVAL

CODING	DRAWING NO.	COLOR	RAL NO.
A	3FAIENARJ-C65-3	JET BLACK	9005
B	3FAIENBRJ-C65-3	CREAM	9001
C	3FAIENCRJ-C65-3	SIGNAL BLUE	5005
D	3FAIENDRJ-C65-3	CLARET VIOLET	4004
E	3FAIENERJ-C65-3	LEAF GREEN	6002
F	3FAIENFRJ-C65-3	NUT BROWN	8011
G	3FAIENGRJ-C65-3	BLUE GREY	7031
H	3FAIENHRJ-C65-3	HEATHER VIOLET	4003
I	3FAIENIRJ-C65-3	BEIGE	1001
K	3FAIENKRJ-C65-3	CURRY	1027
L	3FAIENLRJ-C65-3	CARMINE RED	3002
M	3FAIENMRJ-C65-3	PASTEL ORANGE	2003
N	3FAIENNRJ-C65-3	PASTEL GREEN	6019
Z	3FAIENZRJ-C65-3	WATER BLUE	5021

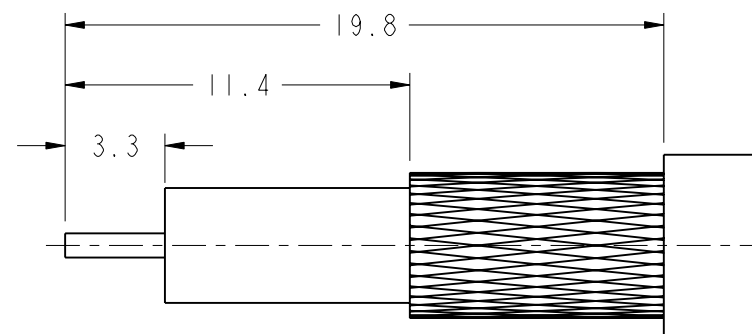
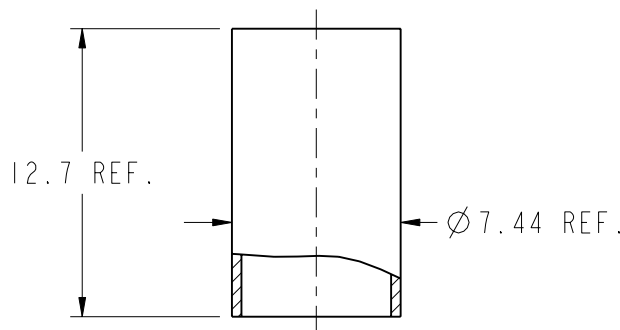
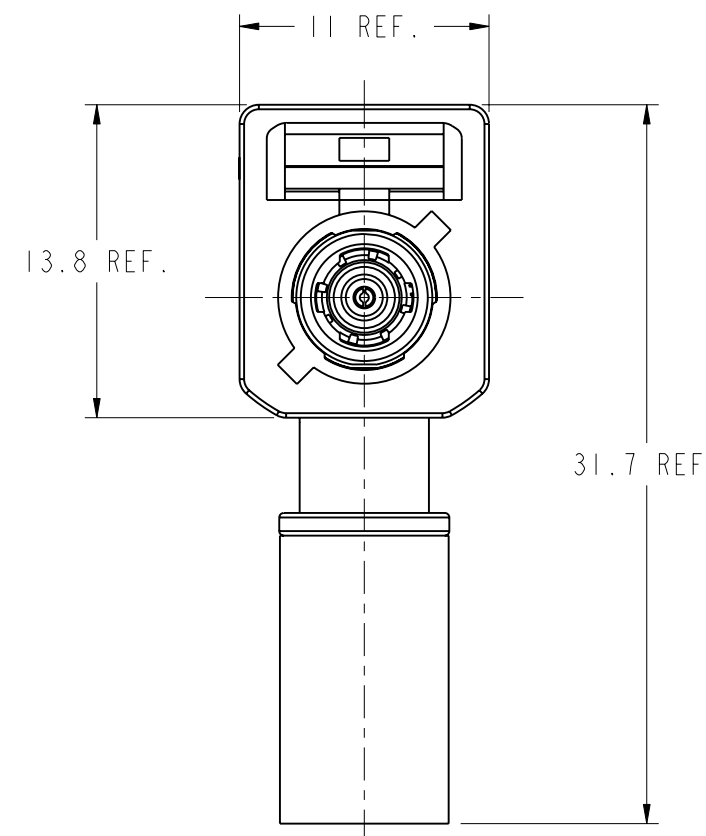
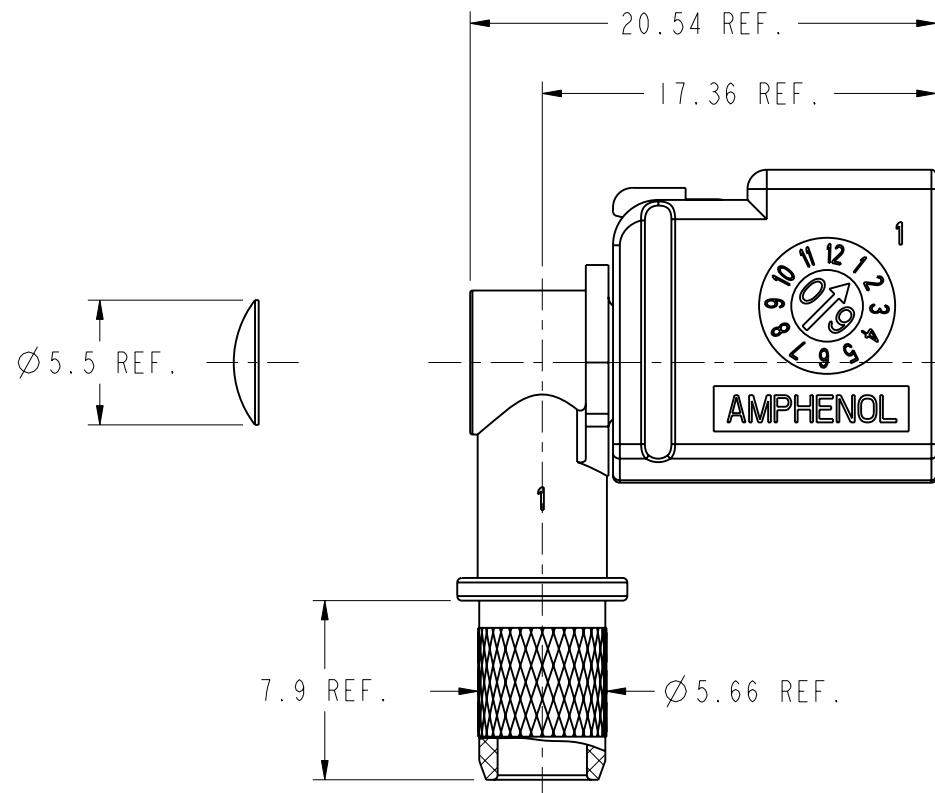


SCALE 2.000

THIRD ANGLE PROJ.

REVISIONS

REV	DESCRIPTION	DATE	ECO	APPR
A	RELEASE TO MFG.	05-Mar-13	49486	JY



RECOMMENDED CABLE STRIPPING DIM'S

CUSTOMER OUTLINE DRAWING

ALL OTHER SHEETS ARE FOR INTERNAL USE ONLY

UNLESS OTHERWISE SPECIFIED, DIMENSIONS ARE IN METRIC AND TOLERANCES ARE:
 <0.5mm ± 0.05mm 0.5 - 6mm ± 0.1mm 6 - 30mm ± 0.2mm 30 - 120mm ± 0.3mm ANGLES ± 1°

NOTICE - These drawings, specifications, or other data (1) are, and remain the property of Amphenol corp. (2) must be returned upon request; and (3) are confidential and not to be disclosed to any person other than those to whom they are given by Amphenol Corp. the furnishing of these drawings, specifications, or other data by Amphenol Corp., or to any other person to anyone for any purpose is not to be regarded by implication or otherwise in any manner licensing, granting rights to permitting such holder or any other person to manufacture, use or sell any product, process or design, patented or otherwise, that may in any way be related to or disclosed by said drawings, specifications, or other data.

MATERIAL	DRAWN K.LIAO	DATE 05-Mar-13	TITLE FAKRA R/A JACK, GEN 3.5, CABLE GROUP C65	Amphenol RF Danbury CT USA, Tainan, Taiwan, Shenzhen, China www.amphenolrf.com
REFERENCE EAR # 5483 AND CONFIGURATION LEVEL:	ENGINEER J.YANG	DATE 05-Mar-13	SCALE: 3.0:1.0 SHEET 2 OF 2	
FINISH	APPROVED S.HSIEH	DATE 26-Mar-13	DWG SIZE B	DRAWING NO. 3FAIENXRJ-C65-3
			REV A	ITEM NO. 3FAIENXRJ-C65-3
				PART NO. 3FAIENXRJ-C65-3