

Product Specifications



195PSFR-BH-CR

SMA Female Right Angle Bulkhead for CNT-195 braided cable

CHARACTERISTICS

General Specifications

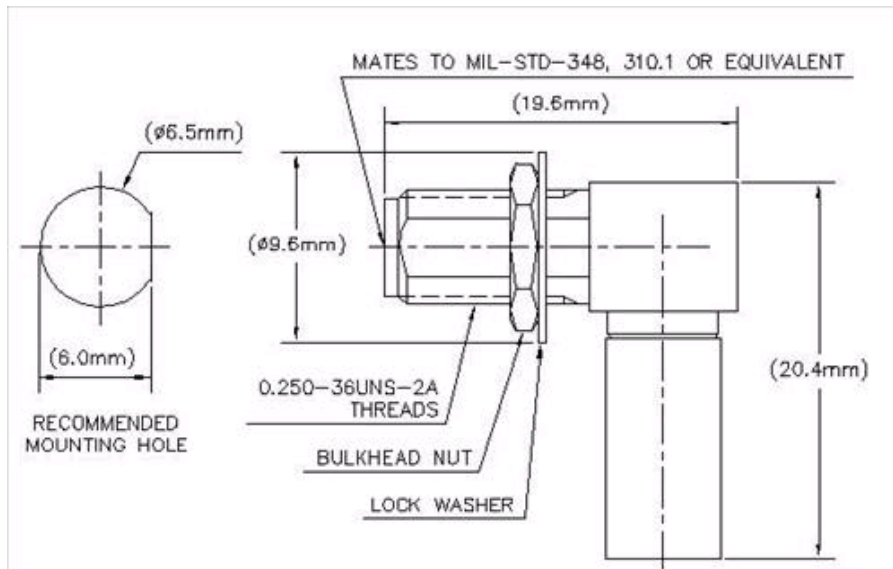
Interface	SMA Female
Body Style	Right angle bulkhead

Electrical Specifications

Operating Frequency Band	0 – 6000 MHz
3rd Order IMD Test Method	Two +43 dBm Carriers
Average Power	150.0 W @ 900 MHz
Cable Impedance	50 ohm
Connector Impedance	50 ohm
dc Test Voltage	1000 V
Inner Contact Resistance	3.00 mOhm
Insertion Loss, typical	0.05 dB
Insulation Resistance, minimum	5000 MOhm
Outer Contact Resistance	2.50 mOhm
Peak Power, maximum	2.50 kW
RF Operating Voltage, maximum (vrms)	353.00 V
Shielding Effectiveness	-90 dB
3rd Order IMD	-75 dBm @ 910 MHz

Product Specifications

Outline Drawing



Mechanical Specifications

Connector Retention Tensile Force	134 N 30 lbf
Connector Retention Torque	0 N-m 0 ft lb
Inner Contact Attachment Method	Solder
Insertion Force	22.00 N 4.95 lbf
Insertion Force Method	IEC 169-15:9.3.5
Interface Durability	500 cycles
Interface Durability Method	IEC 169-15:9.5
Outer Contact Attachment Method	Crimp
Pressurizable	No

Dimensions

Nominal Size	0.195 in
Diameter, maximum	12.50 mm 0.49 in
Length	26.80 mm 1.06 in
Weight	8.00 g 0.02 lb
Width	12.50 mm 0.49 in

Environmental Specifications

Climatic Sequence Test Method	IEC 60068-1
Corrosion Test Method	IEC 60068-2-11
Damp Heat Steady State Test Method	IEC 60068-2-3
Mechanical Shock Test Method	IEC 60068-2-27
Operating Temperature	-55 °C to +85 °C (-67 °F to +185 °F)
Storage Temperature	-65 °C to +125 °C (-85 °F to +257 °F)
Thermal Shock Test Method	IEC 60068-2-14
Vibration Test Method	IEC 60068-2-6

Product Specifications



Standard Conditions

Attenuation, Ambient Temperature	20 °C		68 °F
Average Power, Ambient Temperature	40 °C		104 °F
Average Power, Inner Conductor Temperature	100 °C		212 °F

Return Loss

Frequency Band	VSWR	Return Loss (dB)
0-3000 MHz	1.14	28.98

* Footnotes

Insertion Loss, typical 0.05 $\sqrt{\text{freq}}$ (GHz) (not applicable for elliptical waveguide)