

HA13492

Quad Solenoid Driver

Description

The HA13492, a monolithic power IC, is a driver for inductive loads especially for automotive application. Packaged in Single-in-Line 15 pin, contains four driving circuits of 0.8 A. Each driver has OCL* and independent OTSD** circuit to protect the IC from the short circuit of loads. Also include input open circuit protector and all of the failure condition can be reported by diagnostic circuit.

* OCL : Over current limiter

** OTSD : Over temperature shut down

Functions

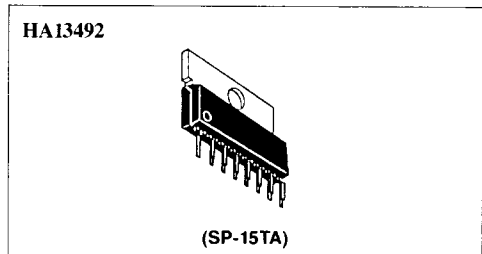
- 0.8 A quad driver
- With clamp diodes
- With chip Enable
- With over voltage protector circuit
- With short circuit protector (OCL & OTSD)
- With diagnostic circuit
- With fail safe function under input open circuit condition

Features

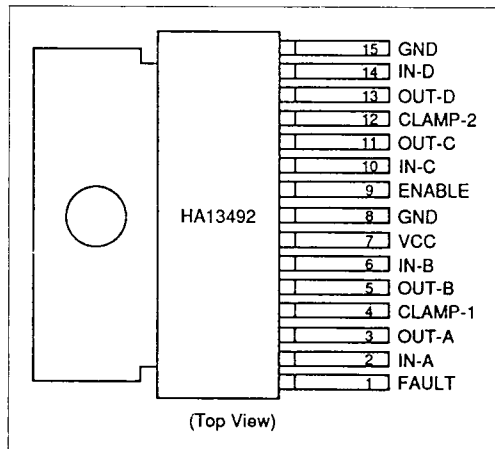
- High sustaining voltage (45 V)
- Low saturation voltage
- Wide operating supply voltage range ($V_{CC} = 7$ to 25 V)
- Can stand for reverse voltage
- Low standby current (200 μ A max)
- With independent short circuit protector for each channel
- Compatible with TTL, LS-TTL and 5 V CMOS

Ordering Information

Type No.	Package
HA13492	SP-15TA



Pin Arrangement



Absolute Maximum Ratings ($T_a = 25^\circ\text{C}$)

Item	Symbol	Ratings	Units	Note
Supply voltage	V_{CC}	-13 to 45	V	1
Input voltage	V_{IN}	-0.6 to 7	V	
Output voltage	V_{CEX}	45	V	
Output current	I_O	1.5	A	2
Power dissipation	P_T	3.5	W	
Junction temperature	T_j	150	$^\circ\text{C}$	
Operating junction temperature range	T_{jop}	-40 to +135	$^\circ\text{C}$	
Storage temperature range	T_{stg}	-55 to +150	$^\circ\text{C}$	
Package thermal resistance	θ_{j-c}	3	$^\circ\text{C/W}$	3
	θ_{j-a}	60	$^\circ\text{C/W}$	

The absolute maximum ratings are limiting values, to be applied individually, beyond which the device may be permanently damaged. Functional operation under any of these conditions is not guaranteed. Exposing a circuit to its absolute maximum rating for extended periods of time may affect the device's reliability.

- Notes:
1. Recommended operating voltage
 $V_{CC} = 7$ to 16 V (normal)
16 to 25 V (jump start)
 2. Internally limited.
 3. θ_{j-c} ; Thermal resistance from junction to case
 θ_{j-a} ; Thermal resistance from junction to air

HA13492

Electrical Characteristics (Ta = 25°C, VCC = 12 V ±10%)

Item	Symbol	Min	Typ	Max	Units	Test condition	Applicable pin	Note	
Supply current	I_{CC0}	—	55	200	μA	Enable = 0.8 V	7		
	I_{CC}	—	80	100	mA	Enable = 2 V, $I_{out} = 0$ to 0.8 A × 4 CH			
Input	Low level voltage	V_{IL}	—	—	0.8	V	9, 2, 6 10, 14		
	High level voltage	V_{IH}	2.0	—	—	V			
Low level current	I_{IL}	—10	—	40	μA	$V_{IN} = 0$ to 0.8 V (Enable = 2 V)	2, 6 10, 14		
		—10	—	40	μA	Enable = 0 to 0.8 V	9		
High level current	I_{IH}	10	35	60	μA	$V_{IN} = 2.0$ to 5.5 V (Enable = 2 V)	2, 6 10, 14		
		10	40	60	μA	Enable = 2.0 to 5.5 V	9		
		—5	—	10	μA	$V_{IN} = 5.5$ V (Enable = 0.8 V)	2, 6 10, 14		
Output	Low level voltage	$V_{CE(sat)}$	—	0.08	0.15	V	$I_{out} = 0.1$ A	3, 5, 11 13	
		—	—	0.30	0.40	V	$I_{out} = 0.5$ A		
		—	—	0.60	0.75	V	$I_{out} = 0.8$ A		
	Leakage current	I_{CEX1}	—	0.5	5	mA	Enable = 2 V, $V_{IN} = 0.8$ V $V_{CE} = 45$ V		
		I_{CEX2}	200	400	600	μA	Enable = 2 V, $V_{IN} = 0.8$ V $V_{CE} = 12$ V		
		I_{CEX3}	—	—	100	μA	Enable = 0.8 V, $V_{CE} = 45$ V		
Sustaining voltage	$V_{CE(sus)}$	45	—	—	V			1	
Clamp diode	Forward voltage	V_F	—	1.3	2.0	V	$I_F = 1.0$ A	3, 4, 5, 11 12, 13	2
			—	1.5	2.5	V	$I_F = 1.5$ A		
Leakage current	I_R	—	—	100	μA	$V_R = 50$ V			
Fault out	Sink current	I_{OL}	30	—	125	μA	$V_{Fault} = 1$ to 5.5 V	7	
	Low level voltage	V_{OL}	—	0.2	0.4	V	$I_{Fault} = 30$ μA		
	Leakage current	I_{LEAK}	—	—	2	μA	$V_{Fault} = 1$ to 5.5 V		



Electrical Characteristics (Ta = 25°C, VCC = 12 V ±10%) (cont)

Item	Symbol	Min	Typ	Max	Units	Test condition	Applicable pin	Note
Output error sense threshold voltage	V ⁺	—	—	7	V	Enable = 2 V, V _{IN} = 2 V	3, 5, 11 13	3
	V ⁻	3	—	—	V	Enable = 2 V, V _{IN} = 0.8 V		
Turn on and turn off delay	t _{PHL}	—	8	15	μs	I _{out} = 0.5 A	2, 6, 10 14, 3, 5 11, 13	
	t _{PLH}	—	3	15	μs			
OVSD Starting voltage	V _{OVSD}	25.5	—	31	V		7	
	Hysteresis V _{HYS}	0.25	—	—	V			
OCL starting current	I _{OCL}	—	1.2	1.5	A		3, 5, 11 13	4
OTSD Starting temp	OTSD	145	—	—	°C			5
	Hysteresis T _{HYS}	—	—	20	°C			

- Notes: 1. See figure 1
 2. See figure 2
 3. See figure 3
 4. See figure 4
 5. Design parameter only

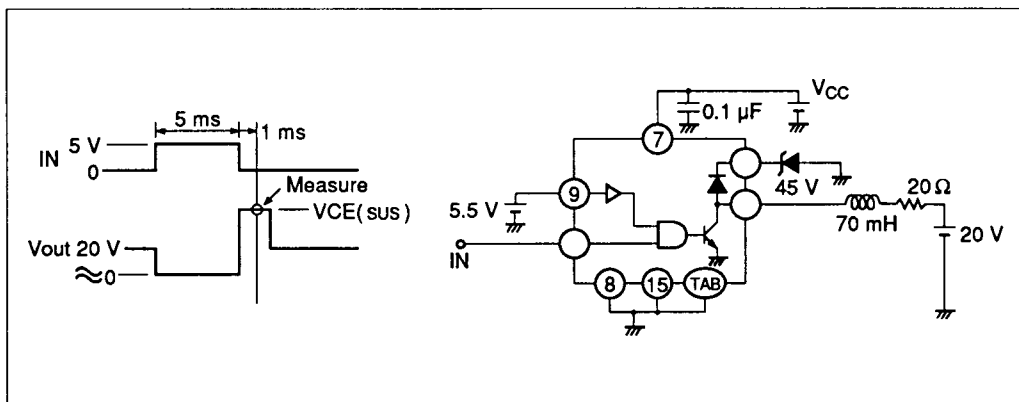


Figure 1 Output Sustaining Voltage Test

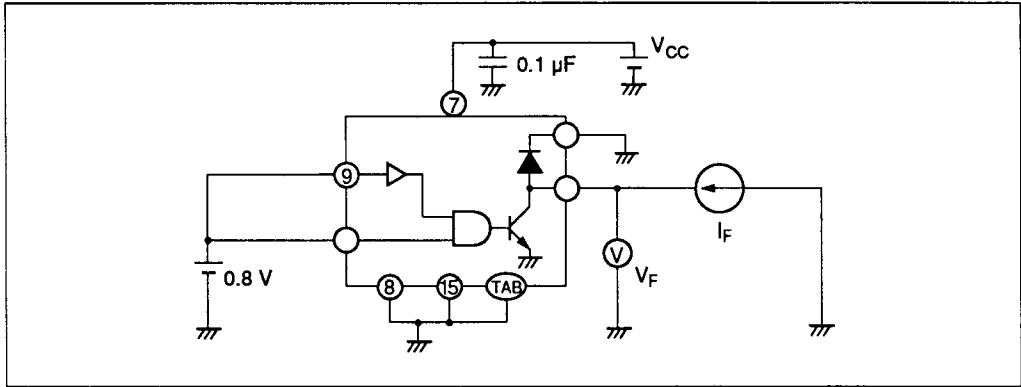


Figure 2 Clamp Diode V_F Test

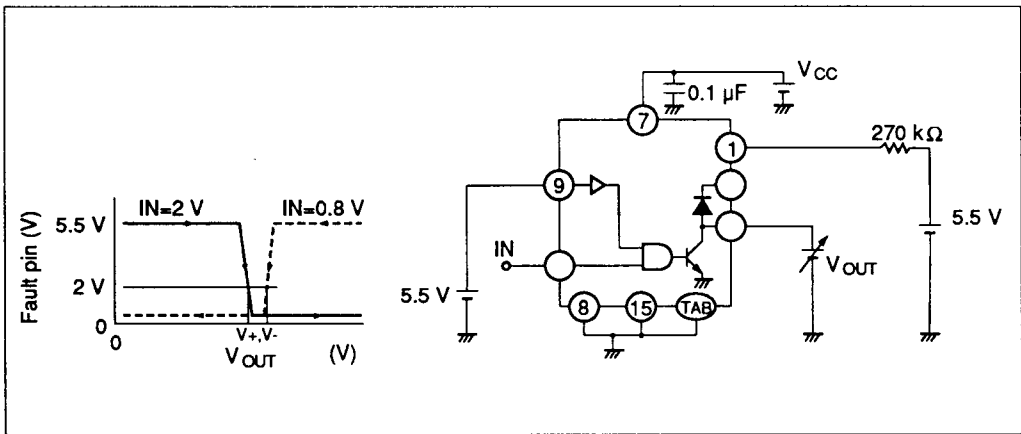


Figure 3 Output Error Sense Threshold Voltage Test

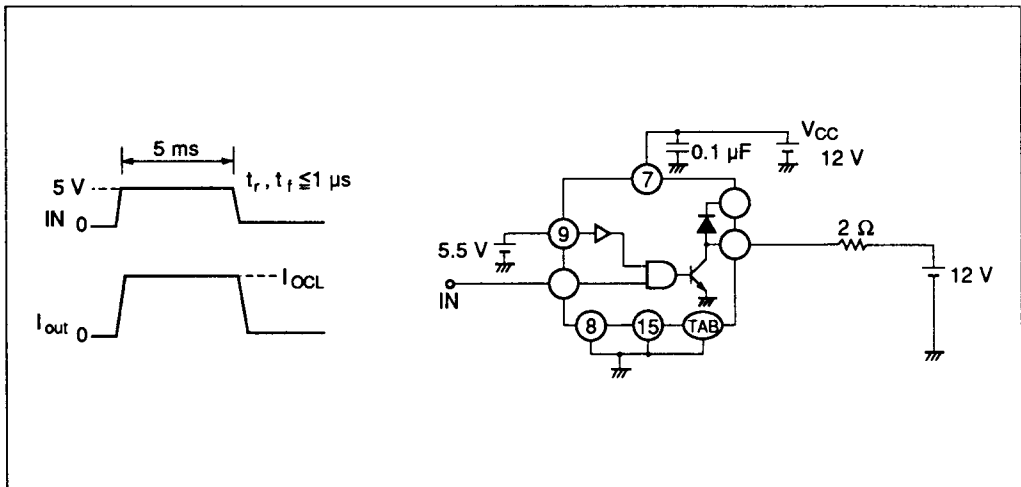


Figure 4 Over Current Limiter Test

