

High Current AC Single Line Feed-thru Series



Single Line Filters

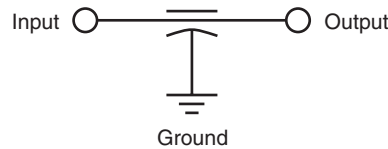
Features

- Agency Approval Voltage: 250VAC 50/60Hz
Filter Rated Voltage: 250VAC 50/60/400Hz
- C Configuration with Class Y2 capacitors available
- Current rating up to 300 Amps
- Excellent filtering in compact package
- Bolt-in style with D-shaped bushing for easy installation
- Low cost EMI solution
- Design flexibility
- UL and Semko approvals pending

Applications

- Telecommunications (cellular base stations, telephone switching racks, etc.)
- Power supplies
- Medical Equipment
- C.O.T.S. (Commercial-Off-The-Shelf) Military
- Industrial equipment controls
- Data Transmission Equipment

Circuit Diagram



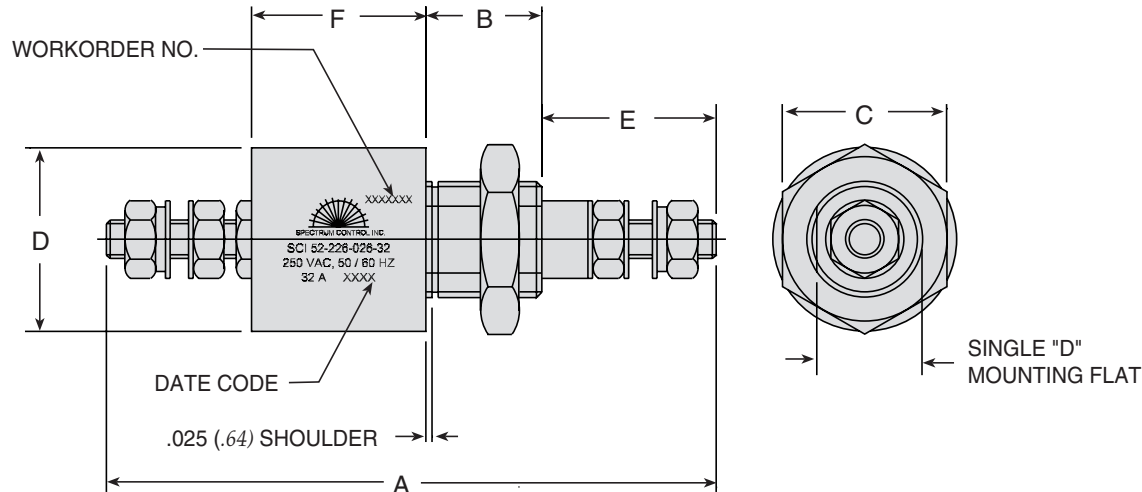
Specifications

Part Number	Rated Current	Min. Cap.	Minimum Insertion Loss (db) *						Leakage Current (mA)				
			.01MHz	.10MHz	1MHz	10MHz	100MHz	1000MHz					
52-226-016-10	10A	2.2nF	-	-	-	9	30	45	0.2				
52-226-016-16	16A	4.7nF			-	-	2	15	34	54	0.5		
52-226-016-32	32A						4	21	41	60	1.1		
52-226-016-63	63A	10nF		2			-	15	34	53	74	5.3	
52-226-016-100	100A	47nF			5	-		21	40	60	85	11.0	
52-226-016-200	200A	100nF						-	-	40	60	85	110
52-226-016-250	250A			100nF			-			-	60	85	110
52-226-016-300	300A				100nF	-					-	85	110
52-226-026-10	10A	4.7nF						-	-			2	15
52-226-026-16	16A	10nF		-			-			4		21	41
52-226-026-32	32A				4	21				41	60	1.1	
52-226-026-63	63A	47nF			2	-			15	34	53	74	5.3
52-226-026-100	100A	100nF	5	-			21		40	60	85	11.0	
52-226-026-200	200A	220nF					-		-	40	60	85	24.9
52-226-026-250	250A				220nF	-				-	60	85	90
52-226-026-300	300A		220nF	-							-	85	90
52-226-036-16	16A	47nF					2		-			2	15
52-226-036-32	32A	33nF			-	-				3		16	35
52-226-036-63	63A	100nF	-	-						5	21	40	85
52-226-036-100	100A	220nF							-	-	10	27	47
52-226-036-200	200A	470nF			-	-		27			47	67	90
52-226-036-250	250A		470nF	-				-			47	67	90
52-226-036-300	300A								470nF	-	-	67	90
52-226-046-16	16A	100nF			-	-						5	21
52-226-046-32	32A	47nF	-	-				2				15	34
52-226-046-63	63A	220nF						-	-	10	27	47	67
52-226-046-100	100A	470nF				-				-	27	47	67
52-226-046-200	200A	1000nF	-	-							47	67	90
52-226-046-250	250A						1000nF	-	-		67	90	110
52-226-046-300	300A					1000nF				-	-	90	110

* Optimum performance with proper installation

Leakage Current is calculated based on a 250VAC/60Hz application

High Current AC Single Line Feed-thru Series



Dimensions

Part Number	A	B	C	D	E	F	Mounting Thread	Terminal Thread	Mounting Torque In-Lb (Nm)	Terminal Torque In-Lb (Nm)
52-226-016-10	2.24 (57)	0.39 (10)	0.51 (13)	0.56 (14.29)	0.63 (16)	0.71 (18)	M10 x 1-6g	M3 x 0.5-6g	27 (3)	4.5 (0.5)
52-226-016-16	2.48 (63)	0.47 (12)	0.67 (17)	0.75 (19.05)	0.71 (18)		M12 x 1-6g	M4 x 0.7-6g	35.4 (4)	10.6 (1.2)
52-226-016-32							M12 x 1-6g	M4 x 0.7-6g	35.4 (4)	10.6 (1.2)
52-226-016-63	3.78 (96)	0.55 (14)	0.87 (22)	1 (25.40)	1.02 (26)	1.18 (30)	M16 x 1-6g	M6 x 1-6g	35.4 (4)	22.1 (2.5)
52-226-016-100	4.45 (113)	0.63 (16)	1.06 (27)	1.25 (31.75)	1.26 (32)	1.30 (33)	M20 x 1-6g	M8 x 1.25-6g	88.5 (10)	44.3 (5)
52-226-016-200	5.12 (130)			1.5 (38.10)	1.57 (40)		1.57 (40)	M24 x 1.5-6g	M10 x 1.5-6g	124 (14)
52-226-016-250	5.83 (148)	0.75 (19)	1.57 (40)	2 (50.80)	1.81 (46)	1.65 (42)	M32 x 1.5-6g	M12 x 1.75-6g	215 (24.3)	116 (13.2)
52-226-016-300							M32 x 1.5-6g	M16 x 2-6g	215 (24.3)	116 (13.2)
52-226-026-10	2.24 (57)	0.39 (10)	0.51 (13)	0.56 (14.29)	0.63 (16)	0.71 (18)	M10 x 1-6g	M3 x 0.5-6g	27 (3)	4.5 (0.5)
52-226-026-16	2.48 (63)	0.47 (12)	0.67 (17)	0.75 (19.05)	0.71 (18)		M12 x 1-6g	M4 x 0.7-6g	35.4 (4)	10.6 (1.2)
52-226-026-32							M12 x 1-6g	M4 x 0.7-6g	35.4 (4)	10.6 (1.2)
52-226-026-63	3.78 (96)	0.55 (14)	0.87 (22)	1 (25.40)	1.02 (26)	1.18 (30)	M16 x 1-6g	M6 x 1-6g	35.4 (4)	22.1 (2.5)
52-226-026-100	4.45 (113)	0.63 (16)	1.06 (27)	1.25 (31.75)	1.26 (32)	1.30 (33)	M20 x 1-6g	M8 x 1.25-6g	88.5 (10)	44.3 (5)
52-226-026-200	5.12 (130)			1.5 (38.10)	1.57 (40)		1.57 (40)	M24 x 1.5-6g	M10 x 1.5-6g	124 (14)
52-226-026-250	5.83 (148)	0.75 (19)	1.57 (40)	2 (50.80)	1.81 (46)	1.65 (42)	M32 x 1.5-6g	M12 x 1.75-6g	215 (24.3)	116 (13.2)
52-226-026-300							M32 x 1.5-6g	M16 x 2-6g	215 (24.3)	116 (13.2)
52-226-036-16	2.95 (75)	0.47 (12)	0.67 (17)	0.75 (19.05)	0.71 (18)	1.18 (30)	M12 x 1-6g	M4 x 0.7-6g	35.4 (4)	10.6 (1.2)
52-226-036-32							M12 x 1-6g	M4 x 0.7-6g	35.4 (4)	10.6 (1.2)
52-226-036-63	3.78 (96)	0.55 (14)	0.87 (22)	1 (25.40)	1.02 (26)		M16 x 1-6g	M6 x 1-6g	35.4 (4)	22.1 (2.5)
52-226-036-100	4.57 (116)	0.75 (19)	1.06 (27)	1.5 (38.10)	1.26 (32)	1.30 (33)	M20 x 1-6g	M8 x 1.25-6g	88.5 (10)	44.3 (5)
52-226-036-200	5.79 (147)				1.57 (40)	1.57 (40)	1.97 (50)	M24 x 1.5-6g	M10 x 1.5-6g	124 (14)
52-226-036-250	6.30 (160)			1.57 (40)	2 (50.80)	1.81 (46)	2.13 (54)	M32 x 1.5-6g	M12 x 1.75-6g	215 (24.3)
52-226-036-300		M32 x 1.5-6g	M16 x 2-6g					215 (24.3)	116 (13.2)	
52-226-046-16	3.03 (77)	0.55 (14)	0.87 (22)	1 (25.40)	0.71 (18)	1.18 (30)	M12 x 1-6g	M4 x 0.7-6g	35.4 (4)	10.6 (1.2)
52-226-046-32	2.95 (75)	0.47 (12)	0.67 (17)				M12 x 1-6g	M4 x 0.7-6g	35.4 (4)	10.6 (1.2)
52-226-046-63	4.45 (113)	0.63 (16)	1.06 (27)	1.25 (31.75)	1.02 (26)		1.30 (33)	M16 x 1-6g	M6 x 1-6g	35.4 (4)
52-226-046-100	5.24 (133)	0.75 (19)		1.57 (40)	1.5 (38.10)	1.26 (32)	1.97 (50)	M20 x 1-6g	M8 x 1.25-6g	88.5 (10)
52-226-046-200	5.79 (147)		1.57 (40)		1.57 (40)	M24 x 1.5-6g		M10 x 1.5-6g	124 (14)	70.8 (8)
52-226-046-250	6.30 (160)		1.57 (40)		2 (50.80)	1.81 (46)	2.13 (54)	M32 x 1.5-6g	M12 x 1.75-6g	215 (24.3)
52-226-046-300		M32 x 1.5-6g		M16 x 2-6g				215 (24.3)	116 (13.2)	

Dimensions in inches (mm)